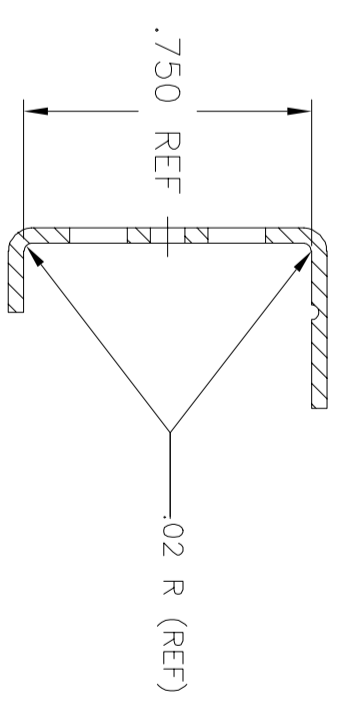
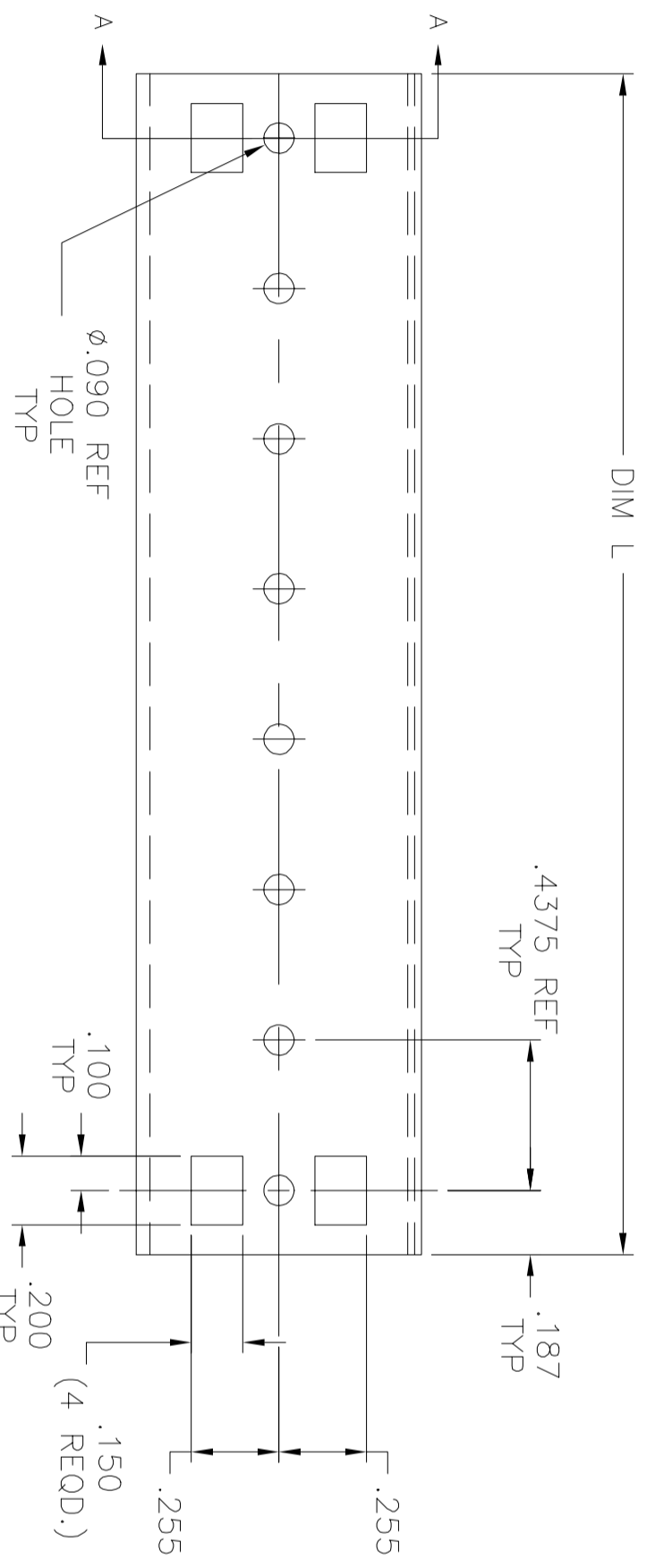
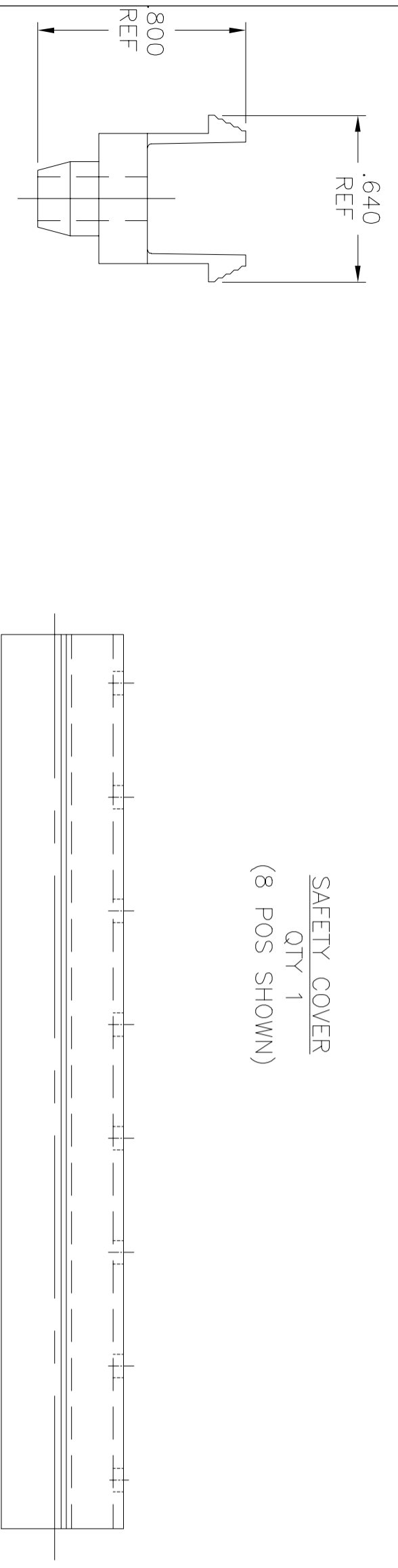


REVISIONS		DATE	BY	APP'D
P	TR	DESCRIPTION		
R1		OBSOLETING THE PWS FROM 4-0 TO 5-0	28NOV2023	SP PS



1 OBSOLETE



SAFETY COVER
QTY 1
(8 POS SHOWN)

TOTAL NO OF CIRCUITS

Z C 1 * *

7= 4375 C/L SPACING

COVER MATERIAL YELLOW PVC

CLOSED BACK

N=NO MARKING
F=FORWARD SEQUENCE

NUMBER OF CIRCUITS

1	1986778-2	11.312	26	24	7C1N24	2-1776436-4
1	1986778-2	10.875	25	23	7C1N23	2-1776436-3
1	1986778-2	10.437	24	22	7C1N22	2-1776436-2
1	1986778-2	10	23	21	7C1N21	2-1776436-1
1	1986778-2	9.563	22	20	7C1N20	2-1776436-0
1	1986778-2	8.687	20	18	7C1N18	1-1776436-8
1	1986778-2	8.25	19	17	7C1N17	1-1776436-7
1	1986778-2	7.375	17	15	7C1N15	1-1776436-5
1	1986778-2	6.937	16	14	7C1N14	1-1776436-4
1	1986778-2	5.625	13	11	7C1N11	1-1776436-1
1	1986778-2	9.125	21	19	7C1N19	5-1437418-0
1	1986778-2	7.812	18	16	7C1N16	4-1437418-9
1	1986778-2	6.062	14	12	7C1N12	4-1437418-8
1	1986778-2	5.187	12	10	7C1N10	4-1437418-7
1	1986778-2	4.75	11	9	7C1N09	4-1437418-6
1	1986778-2	4.312	10	8	7C1N08	4-1437418-5
1	1986778-2	3.875	9	7	7C1N07	4-1437418-4
1	1986778-2	3.437	8	6	7C1N06	4-1437418-3
1	1986778-2	3.000	7	5	7C1N05	4-1437418-2
1	1986778-2	2.562	6	4	7C1N04	4-1437418-1
1	1986778-2	2.125	5	3	7C1N03	4-1437418-0
1	1986778-2	1.687	4	2	7C1N02	3-1437418-9
1	1986778-2	6.5	15	13	7C1F13	3-1437418-7

THIS DRAWING IS A CONTROLLED DOCUMENT.

DMN	S SCHLEGEL	29SEP2006	NAME	SAFETY COVER
CHK	S YODER	29SEP2006	PRODUCT SPEC	KITS FOR SSB .4375 CENTERS
APP'D	S YODER	29SEP2006	APPLICATION SPEC	

TE Connectivity

SIZE: A2 Q&E CODE: 00779 DRAWING NO: 1437412-5

SCALE: 1:1 SHEET: 1 of 1 REV: R1

