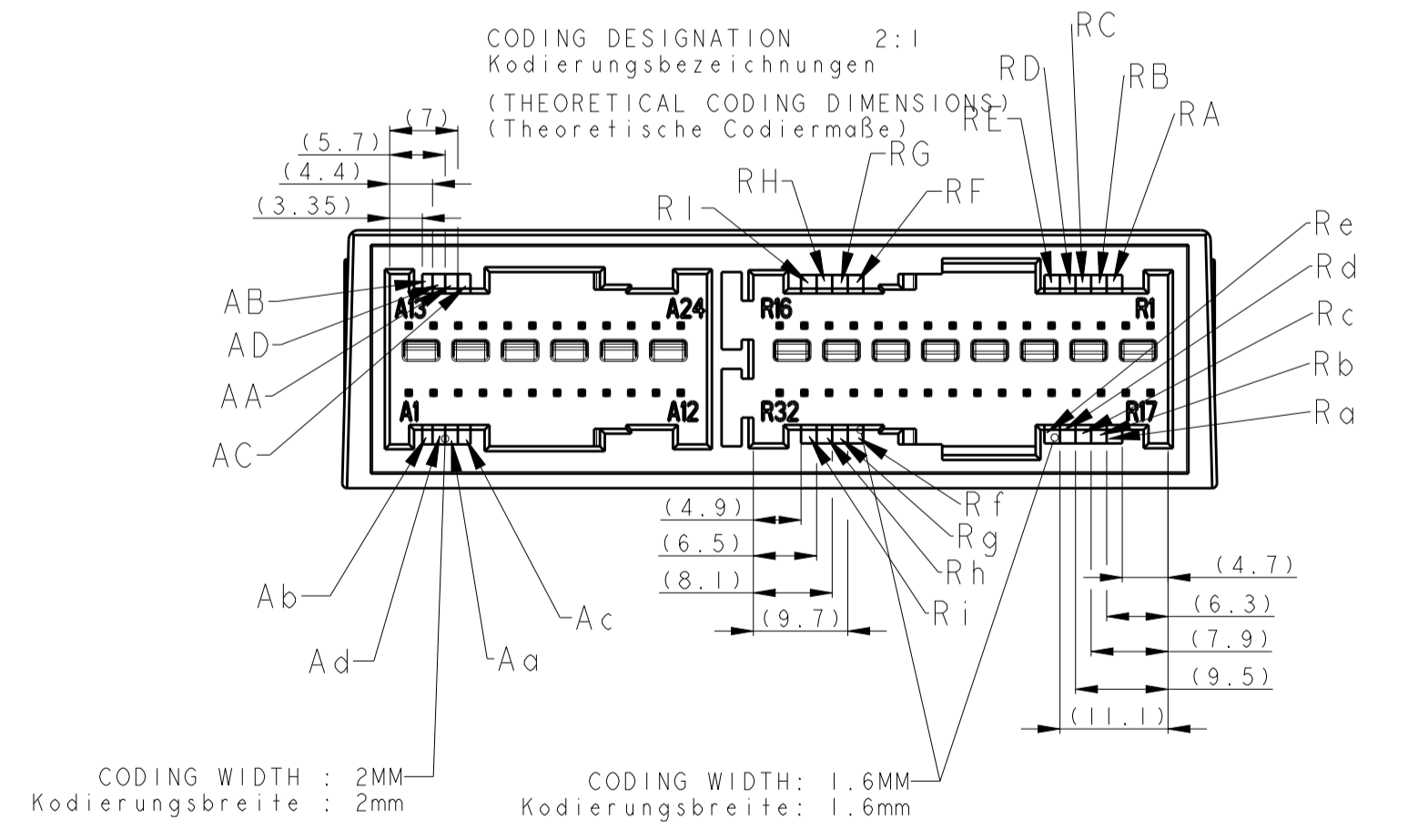
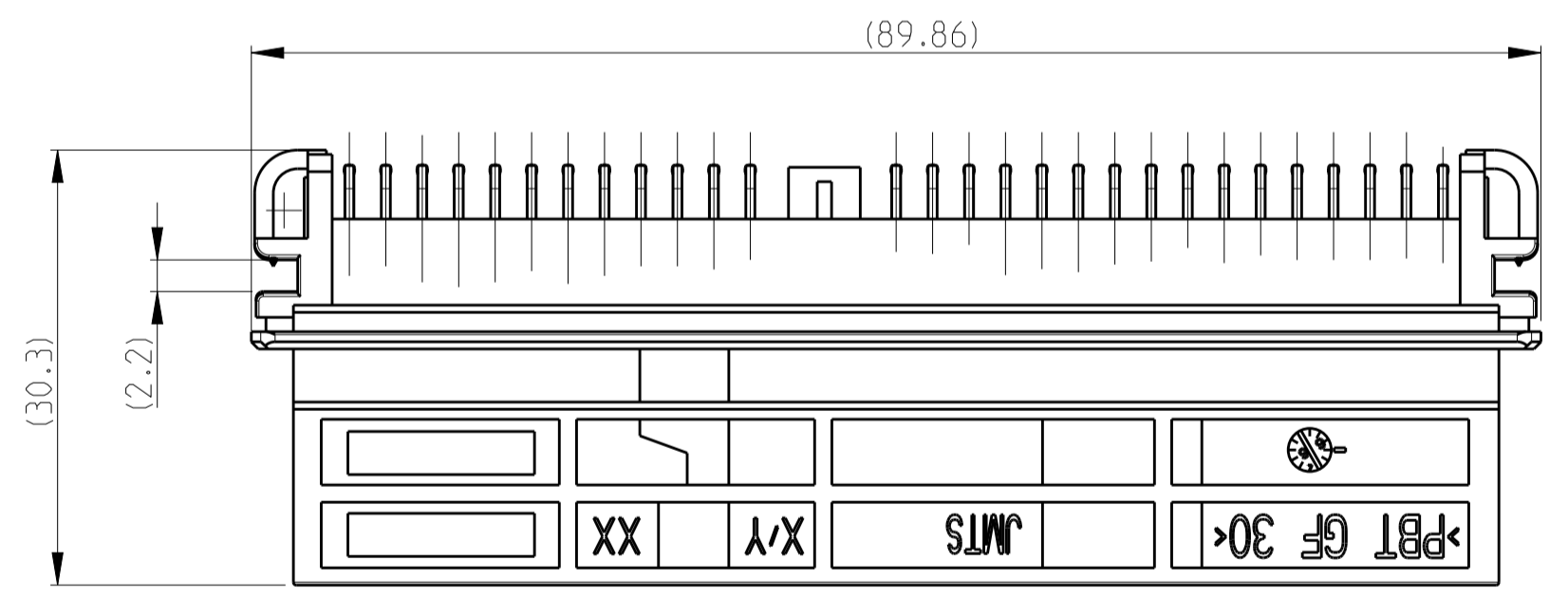
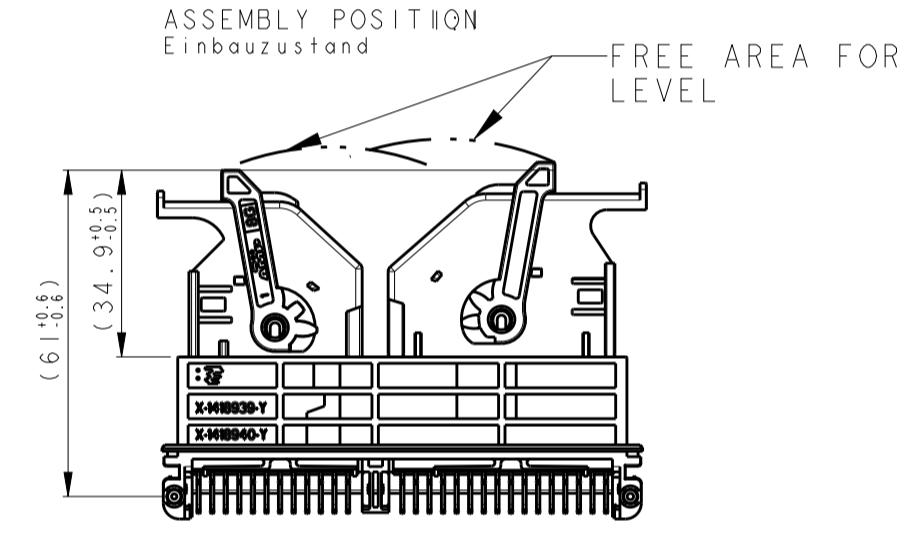
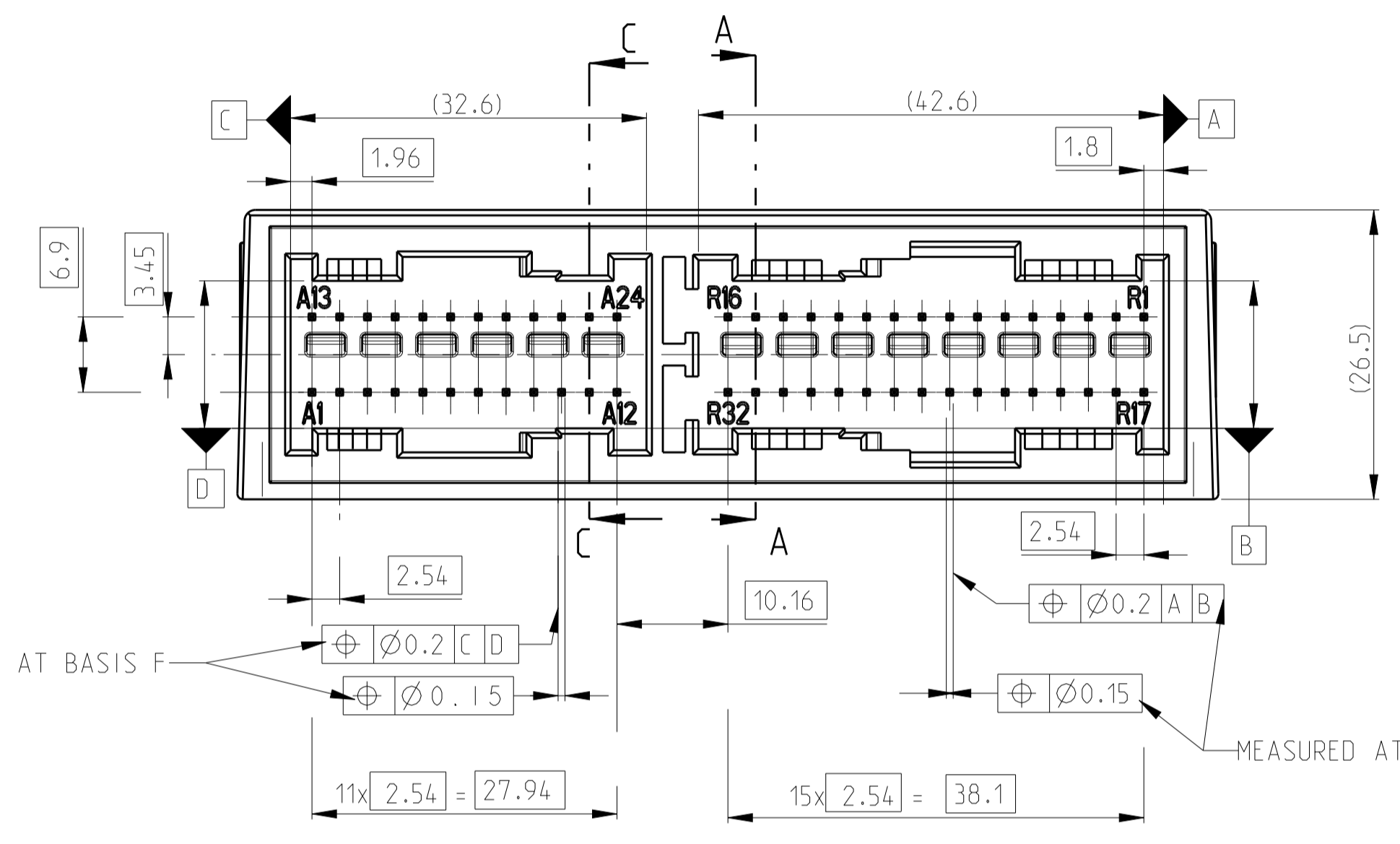
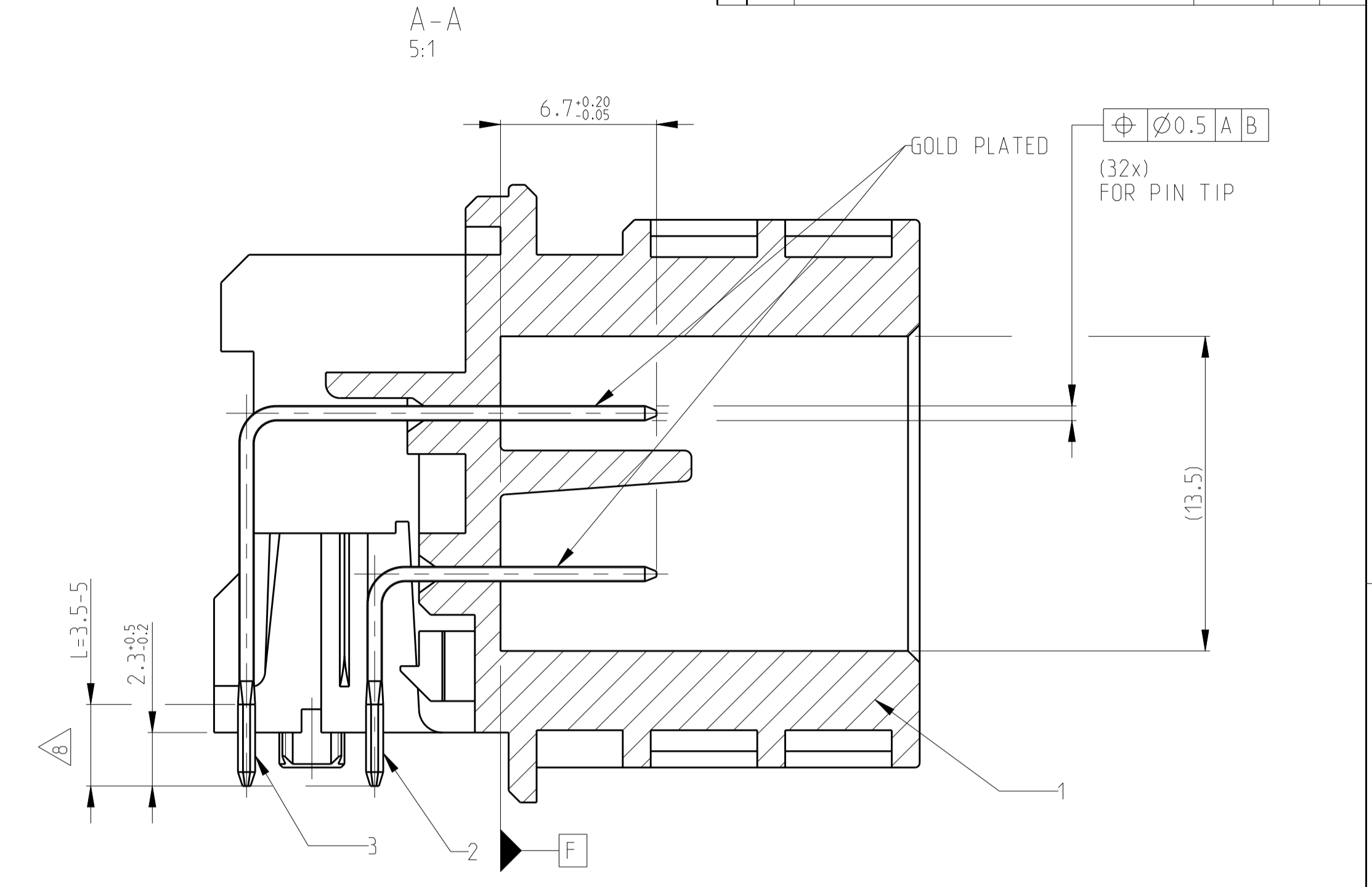
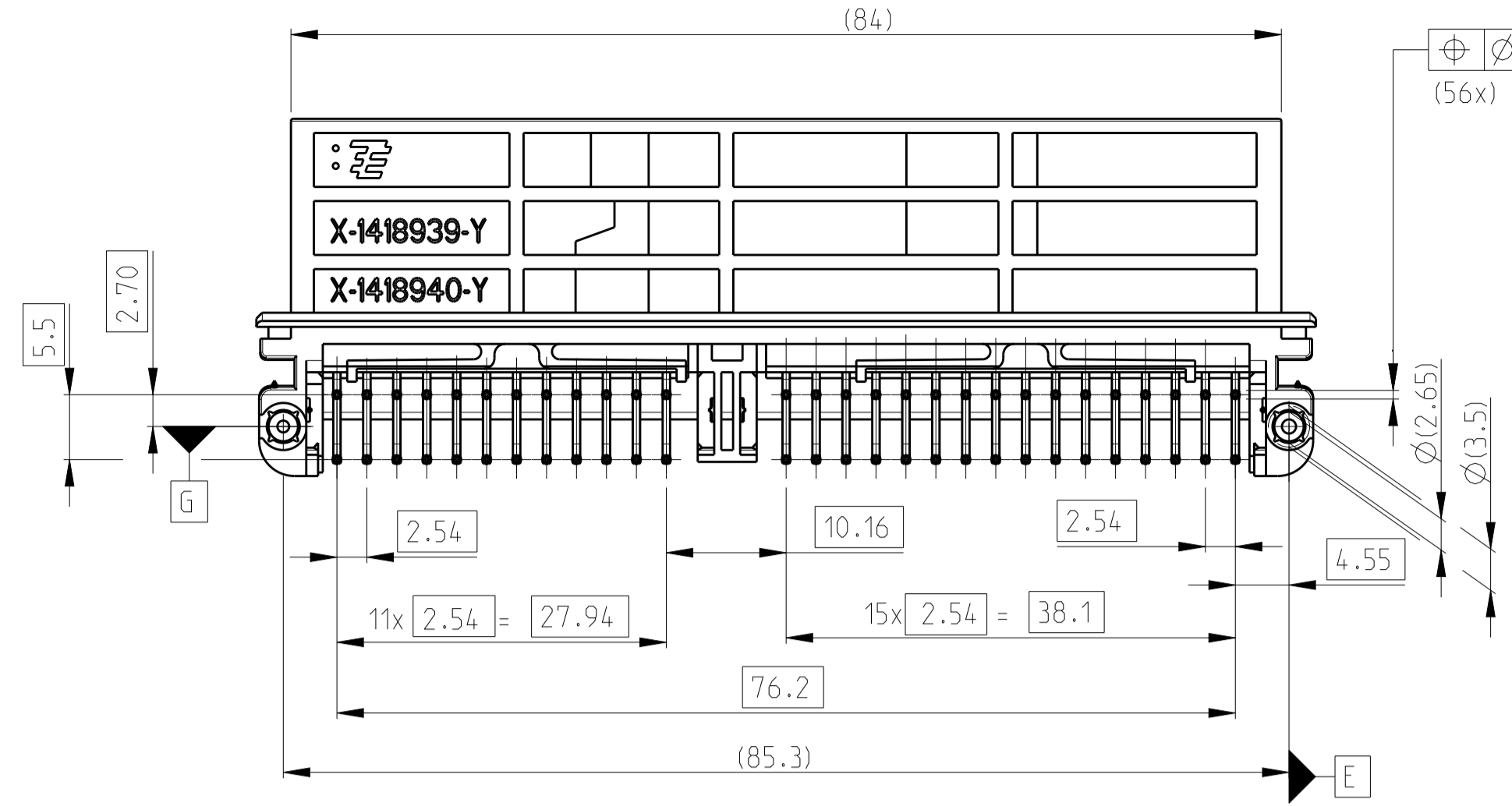
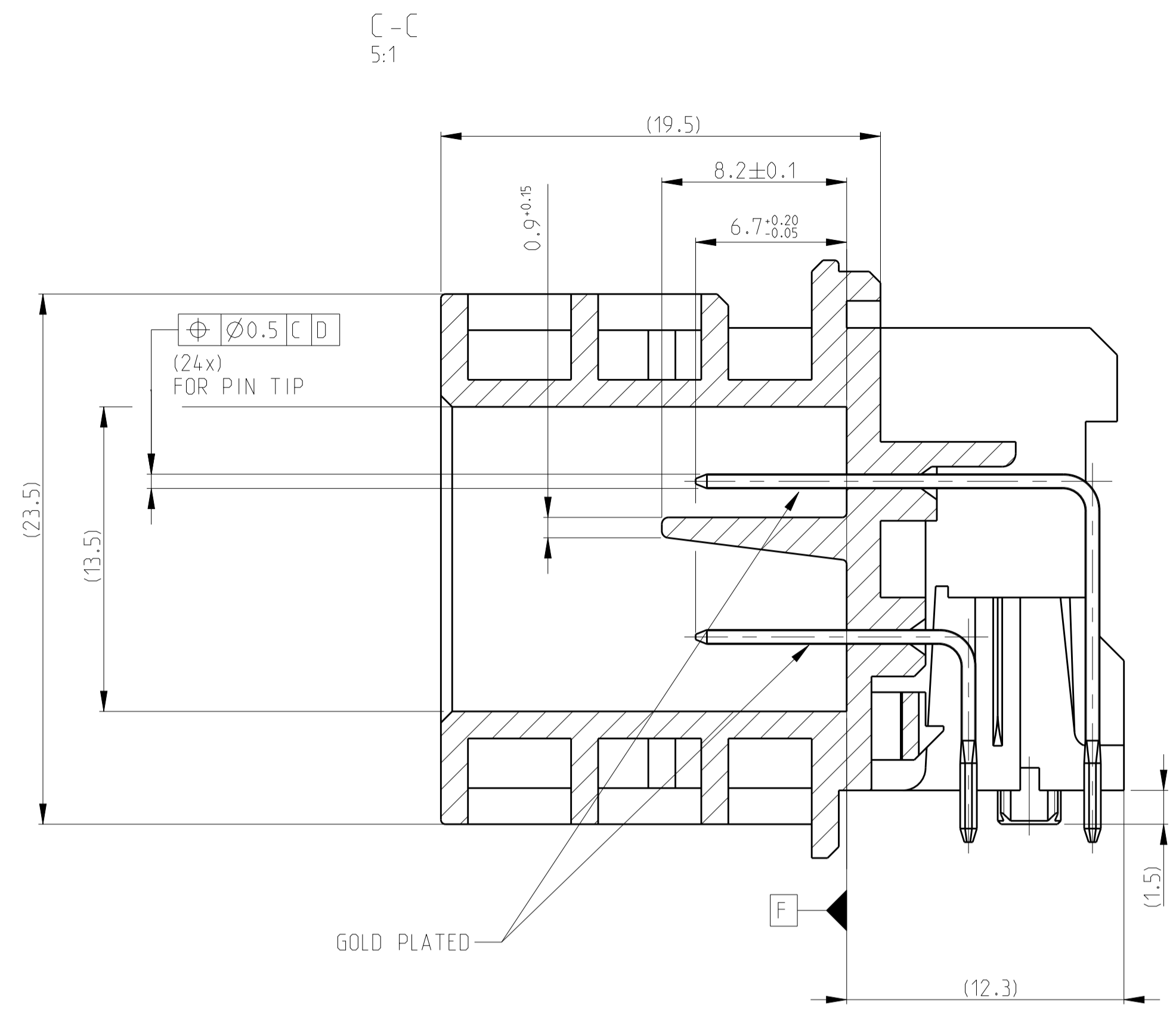
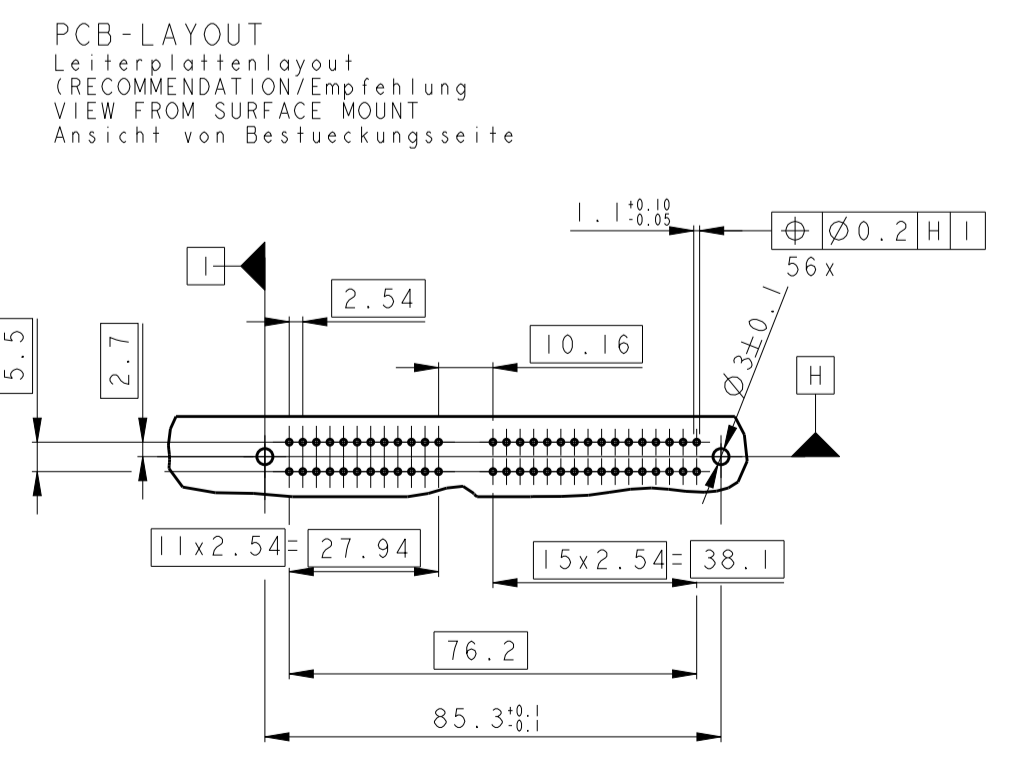


LOC	DIST	REV	DATE	BY	CHK	APPV
A1	-	A9	15DEC2007	ZP	ZP	
		A10	30APR2020	KG	KK	



- NOTES  
Bemerkungen
- NO FREE METAL PARTS PRESENT
  - SOLDERABILITY ACC. TO DIN IEC 68 PART 2-20
  - PRESS OUT FORCE > 25N WITH FORCE 25mm/min
  - SEALED AGAINST LAC ACCORDING TO BMW-TEST GUIDE LINE. REL. V: ALL PINS MUST BE PRESENT IN
  - PACKING IN TUBES ( TYCO PN 741122-1 )
  - CONTACT RESISTANCE: < 20mΩ
  - 
  - PIN CONTACT EDGES ARE ROUNDED MAX. Ø0.8mm ON LENGHT L
  - PINCONTACT 0.63x0.63  
MATERIAL: CuSn6  
SURFACE: MATING SIDE: >0.8 μm Au OVER 2 μm-4 μm Ni  
SOLDER SIDE: 3-4.5 μm Sn OVER 1.3 μm-2.5 μm Ni



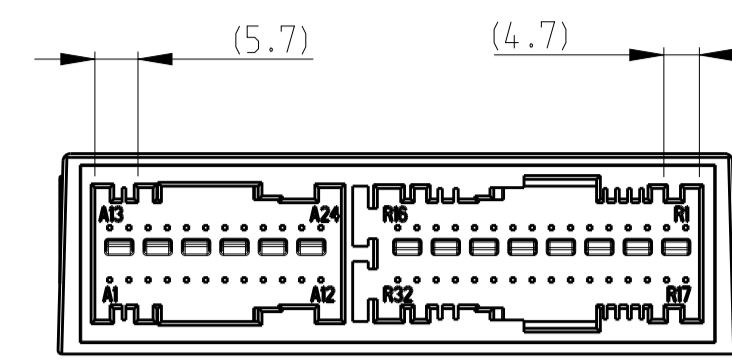
<p>ACC. TO DIN ISO 9000 CONFORMING TO NOMINAL DIM</p>	<p>TYCO ELECTRONICS CORPORATION</p>	<p>DATE: 15 APR 2003 DRAWING NO: 1418939-01</p>	<p>NAME: MQS 24+32 POS. AIRBAG CONNECTOR</p>
<p>MATERIAL: -</p>	<p>WEIGHT: -</p>	<p>SCALE: 2:1</p>	<p>SHEET: 1 OF 2</p>

# CODINGS

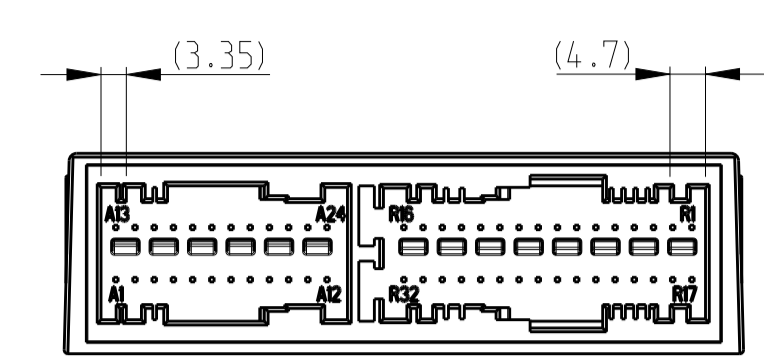
## 1:1

LOC	DIST	REV	DATE	BY	APPV
A1	-	1	15 APR 2003	MODERLY	-
PROJECT NR.:		SEE SHEET 1			

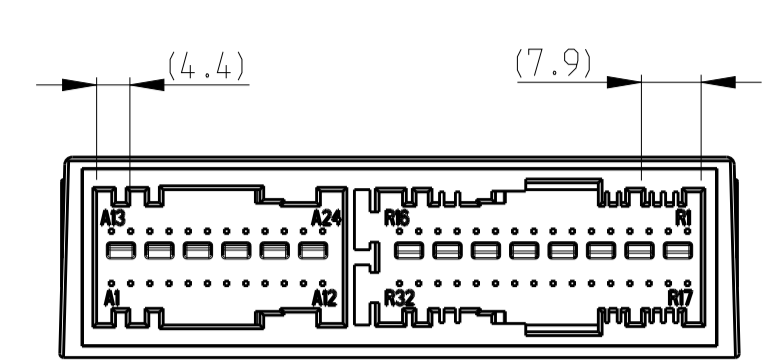
HYUNDAI PART-NR- Hyundai Teile-Nr.	TE PART NR. TE Teile-NR.	KEY COLOUR Kodierung Farbe	KEY GEOMETRY Kodierung-Geometrie		PIN ASSIGNMENT Stiftkontaktbelegung		CONNECTOR PART-NR- Buchsenstecker Teile-Nr.	
			CAVITY (A) 24 POS. Kammer (A) 24 Pol.	CAVITY (R) 32 POS. Kammer (R) 32 Pol.	CAVITY (A) 24 POS. Kammer (A) 24 Pol.	CAVITY (R) 32 POS. Kammer (R) 32 Pol.	24 POS. 24 Pol. (*)	32 POS. 32 Pol. (*)
-	0-1418939-1	BLACK RAL 9011 schwarz	AA_Aa	RA_Ra/RI_Ri	A1-A24	R1-R32	284223-4 (BLACK)	284999-4 (BLACK)
-	0-1418939-2	GREY RAL 7000 grau	AA_Aa	RC_Rc/RI_Ri	A1-A24	R1-R32	284223-4 (BLACK)	284999-3 (GREY)
-	0-1418939-3	BLUE RAL 5015 blau	AA_Aa	RE_Re/RI_Ri	A1-A24	R1-R32	284223-4 (BLACK)	284999-6 (BLUE)
-	0-1418939-4	VIOLET RAL 4003 violett	AB_Ab	RA_Ra/RI_Ri	A1-A24	R1-R32	284223-3 (GREY)	284999-4 (BLACK)
-	0-1418939-5	ORANGE RAL 2004 orange	AB_Ab	RC_Rc/RI_Ri	A1-A24	R1-R32	284223-3 (GREY)	284999-3 (GREY)
-	0-1418939-6	BROWN RAL 8007 braun	AD_Ad	RA_Ra/RI_Ri	A1-A24	R1-R32	284223-6 (BLUE)	284999-4 (BLACK)
-	0-1418939-7	GREEN RAL 6029 grün	AD_Ad	RC_Rc/RI_Ri	A1-A24	R1-R32	284223-6 (BLUE)	284999-3 (GREY)
-	0-1418939-8	YELLOW RAL 1021 gelb	AD_Ad	RE_Re/RI_Ri	A1-A24	R1-R32	284223-6 (BLUE)	284999-6 (BLUE)
-	0-1418939-9	CLARET VIOLET RAL 4004 claret violet	AC_Ac	RA_Ra/RI_Ri	A1-A24	R1-R32	284223-5 (BROWN)	284999-4 (BLACK)
-	1-1418939-1	RESEDA GREEN RAL 6011 reseda grün	AC_Ac	RC_Rc/RI_Ri	A1-A24	R1-R32	284223-5 (BROWN)	284999-3 (GREY)
-	1-1418939-2	SLATE GREY RAL 7015 slate grau	AC_Ac	RE_Re/RI_Ri	A1-A24	R1-R32	284223-5 (BROWN)	284999-6 (BLUE)
-	1-1418939-3	Traffic purple RAL 4006 purpurrot	AD_Ad	RA_Ra/RI_Ri	A1-A24	R1-R32	284223-7 (WHITE)	284999-4 (BLACK)
-	1-1418939-4	KHAKI GRAY RAL 7008 khaki grau	AD_Ad	RC_Rc/RI_Ri	A1-A24	R1-R32	284223-7 (WHITE)	284999-3 (GREY)
-	1-1418939-5	WATER BLUE RAL 5021 wasser blau	AD_Ad	RE_Re/RI_Ri	A1-A24	R1-R32	284223-7 (WHITE)	284999-6 (BLUE)
-	1-1418939-6	RED LILAC RAL 4001 rotlila	AB_Ab	RE_Re/RI_Ri	A1-A24	R1-R32	284223-3 (GREY)	284999-6 (BLUE)
-	1-1418939-7	WHITE RAL 9010 weiss	AA_Aa	RA_Ra/RI_Ri	A1-A24	R1-R32	284223-4 (BLACK)	284999-7 (WHITE)
-	1-1418939-8	PINK RAL 3015 rosa	AD_Ad	RA_Ra/RI_Ri	A1-A24	R1-R32	284223-7 (WHITE)	284999-7 (WHITE)
-	1-1418939-9	ORANGE BROWN RAL 8023	AD_Ad	RC_Rc/RI_Ri	A1-A24	R1-R32	284223-7 (WHITE)	284999-5 (BROWN)
-	2-1418939-1	CLAY BROWN RAL 8003	AB_Ab	RC_Rc/RI_Ri	A1-A24	R1-R32	284223-3 (GREY)	284999-5 (BROWN)
-	2-1418939-2	OPAL GREEN RAL 6026	AB_Ab	RA_Ra/RI_Ri	A1-A24	R1-R32	284223-3 (GREY)	284999-7 (WHITE)
-	2-1418939-3	ZINC YELLOW RAL 1018	AA_Aa	RC_Rc/RI_Ri	A1-A24	R1-R32	284223-4 (BLACK)	284999-5 (BROWN)
-	2-1418939-4	LIGHT BLUE RAL 5012	AD_Ad	RC_Rc/RI_Ri	A1-A24	R1-R32	284223-6 (BLUE)	284999-5 (BROWN)
-	2-1418939-5	SIGNAL GREEN RAL 6032	AD_Ad	RA_Ra/RI_Ri	A1-A24	R1-R32	284223-6 (BLUE)	284999-7 (WHITE)
-	2-1418939-6	PASTEL YELLOW RAL 1034	AC_Ac	RA_Ra/RI_Ri	A1-A24	R1-R32	284223-5 (BROWN)	284999-7 (WHITE)
-	2-1418939-7	LIGHT GREY RAL 7035	AC_Ac	RC_Rc/RI_Ri	A1-A24	R1-R32	284223-5 (BROWN)	284999-5 (BROWN)
-	2-1418939-8	YELLOW GREEN RAL 6018	AA_Ab	RA_Ra/RI_Ri	A1-A24	R1-R32	1745034-1 (GREEN)	284999-4 (BLACK)
-	2-1418939-9	PASTEL ORANGE RAL 2003	AA_Ad	RA_Ra/RI_Ri	A1-A24	R1-R32	1745034-2 (ORANGE)	284999-4 (BLACK)
-	3-1418939-1	FLAME RED RAL 3000	AC_Ab	RA_Ra/RI_Ri	A1-A24	R1-R32	1745034-5 (PINK)	284999-4 (BLACK)
-	3-1418939-2	EMERALD GREEN RAL 6001	AC_Ab	RA_Ra/RI_Ri	A1-A24	R1-R32	1745034-3 (VIOLET)	284999-4 (BLACK)
-	3-1418939-3	DUSTY GRAY RAL 7037	AC_Ad	RA_Ra/RI_Ri	A1-A24	R1-R32	1745034-4 (YELLOW)	284999-6 (BLUE)



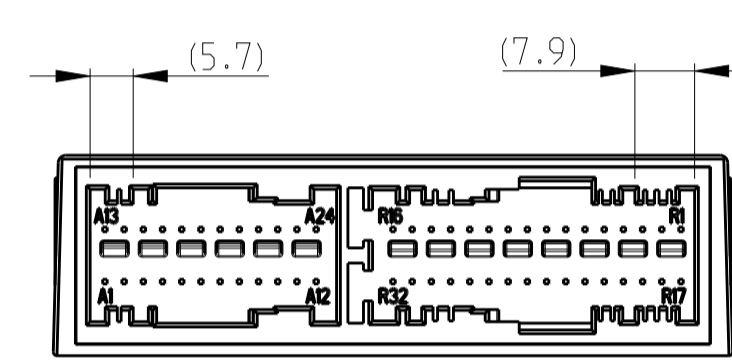
0-1418939-1  
AA-Aa / RA Ra-RI Ri



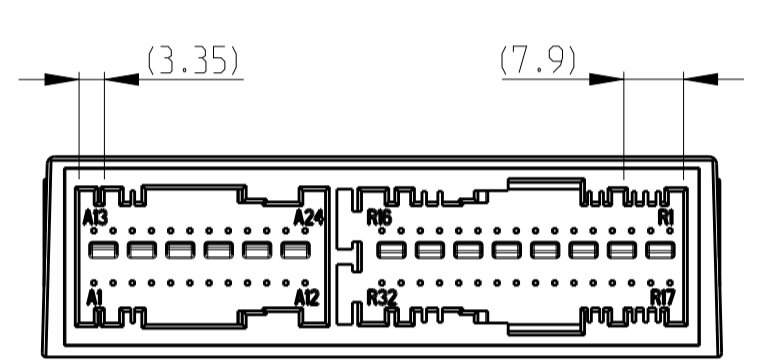
0-1418939-4  
AB-Ab / RA Ra-RI Ri



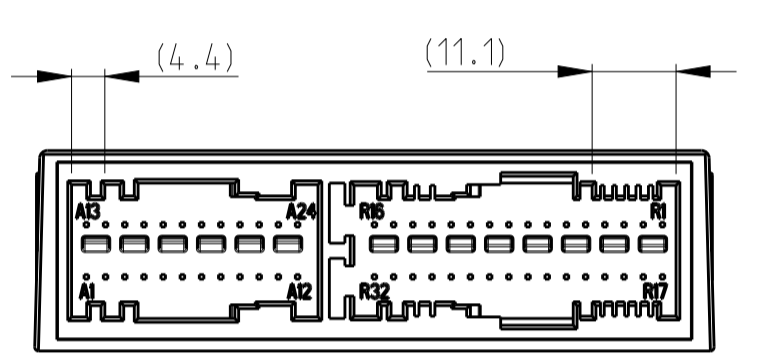
0-1418939-7  
AD-Ad / RC Rc-RI Ri



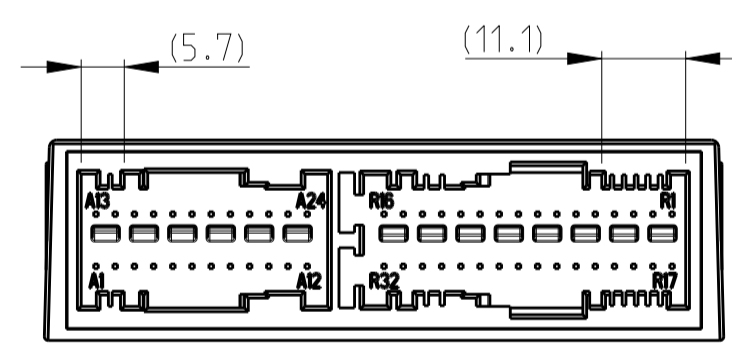
0-1418939-2  
AA-Aa / RC Rc-RI Ri



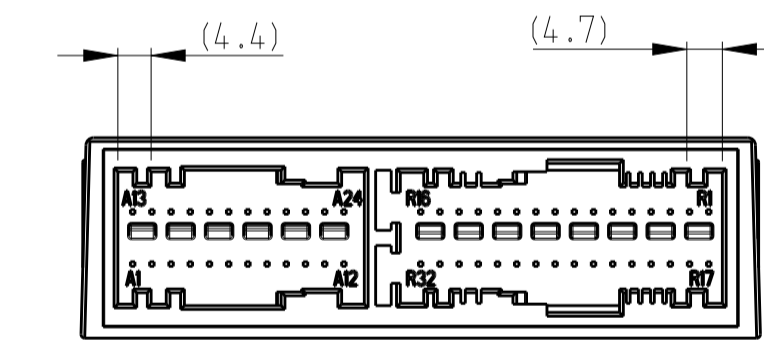
0-1418939-5  
AB-Ab / RC Rc-RI Ri



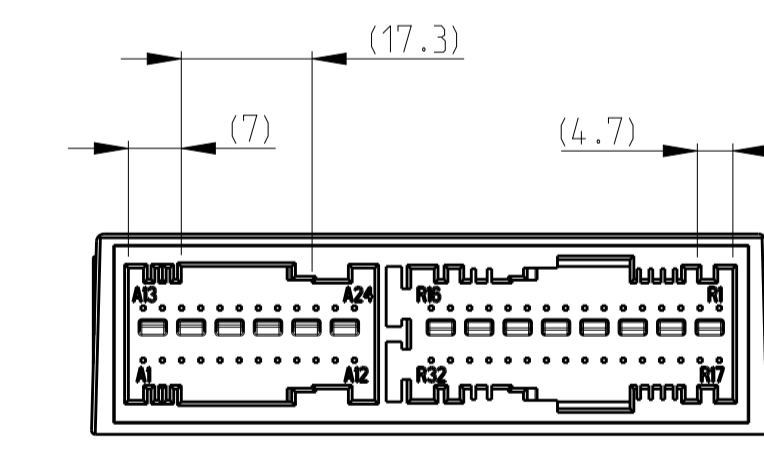
0-1418939-8  
AD-Ad / RE Re-RI Ri



0-1418939-3  
AA-Aa / RE Re-RI Ri

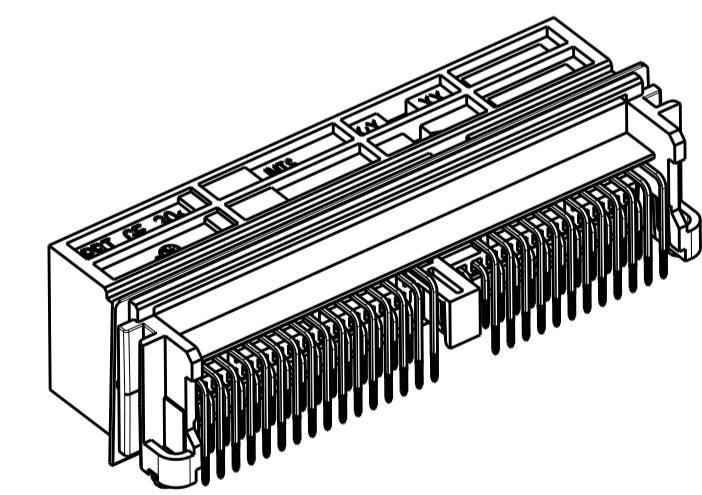


0-1418939-6  
AD-Ad / RA Ra-RI Ri



0-1418939-9  
AC-Ac / RA Ra-RI Ri

HYUNDAI PART-NR- Hyundai Teile-Nr.	TE PART NR. TE Teile-NR.	KEY COLOUR Kodierung Farbe	KEY GEOMETRY Kodierung-Geometrie		PIN ASSIGNMENT Stiftkontaktbelegung		CONNECTOR PART-NR- Buchsenstecker Teile-Nr.	
			CAVITY (A) 24 POS. Kammer (A) 24 Pol.	CAVITY (R) 32 POS. Kammer (R) 32 Pol.	CAVITY (A) 24 POS. Kammer (A) 24 Pol.	CAVITY (R) 32 POS. Kammer (R) 32 Pol.	24 POS. 24 Pol. (*)	32 POS. 32 Pol. (*)
-	3-1418939-4	Moss Green RAL 6005	AA_Ab	RC_Rc/RI_Ri	A1-A24	R1-R32	1745034-1 (GREEN)	284999-3 (GREY)
-	3-1418939-5	Melon Yellow RAL 1028	AA_Ad	RE_Re/RI_Ri	A1-A24	R1-R32	1745034-2 (ORANGE)	284999-6 (BLUE)
-	3-1418939-6	Purple Violet RAL 4007	AC_Ab	RC_Rc/RI_Ri	A1-A24	R1-R32	1745034-3 (VIOLET)	284999-5 (BROWN)
-	3-1418939-7	Beige RAL 1001	AC_Ad	RE_Re/RI_Ri	A1-A24	R1-R32	1745034-4 (YELLOW)	284999-6 (BLUE)
-	3-1418939-8	Braun Beige RAL 1011	AC_Aa	RA_Ra/RI_Ri	A1-A24	R1-R32	1745034-5 (PINK)	284999-7 (WHITE)
-	3-1418939-9	Raspberry Red RAL 3027	AA_Ab	RC_Rc/RI_Ri	A1-A24	R1-R32	1745034-1 (GREEN)	284999-5 (BROWN)



1:1

OBSOLETE A10  
OBSOLETE A10  
OBSOLETE A10  
OBSOLETE A10

THIS DRAWING IS UNPUBLISHED. VERBODEN OP ANDEREN PLAATS TE COPIëren. RELEASED FOR PUBLICATION FREI LIES VERBREITEN. 2003 DATED WITH REVISION 10 DIMENSIONS: MASSMÄßEN (mm)		TOLERANCES UNLESS OTHERWISE SPECIFIED: DIMENSIONS: MAßSTÄBE (mm)		DWN: 14 APR 2003 CDR: 15 APR 2003 NAME: MQS 24 + 32 POS. AIRBAG CONNECTOR		Tyco Electronics Tyco Electronics AMP GmbH D - 64625 Bensheim	
MATERIAL: - FINISH: - COATING: -		APPLICATION SPEC: - VERARBEITUNGSSPEZ.: -		WEIGHT: - GEWICHT: -		RESTRICTED TO: - NUR FÜR: -	
CUSTOMER DRAWING		/KUNDENZEICHNUNG		SCALE: 1:1		SHEET 2 OF 2	