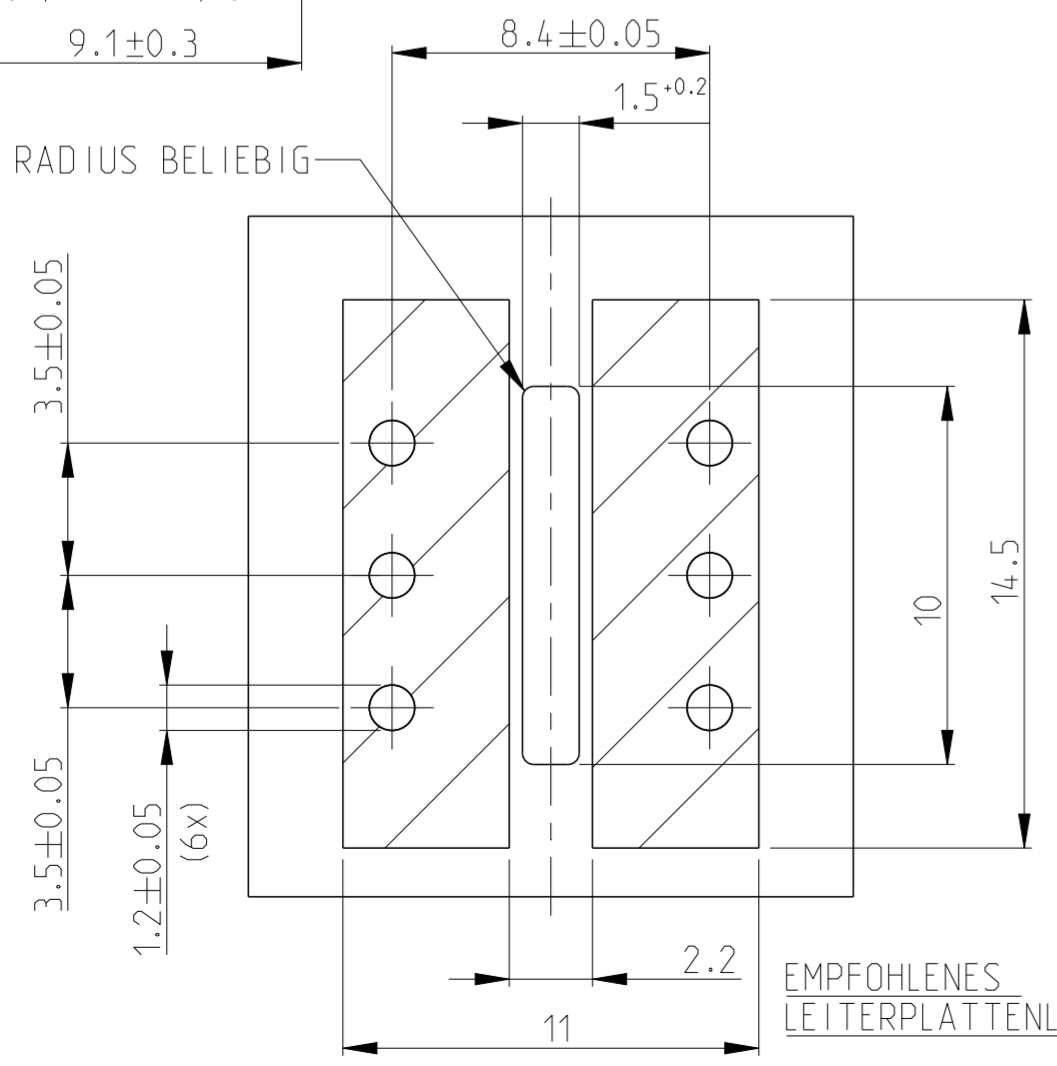
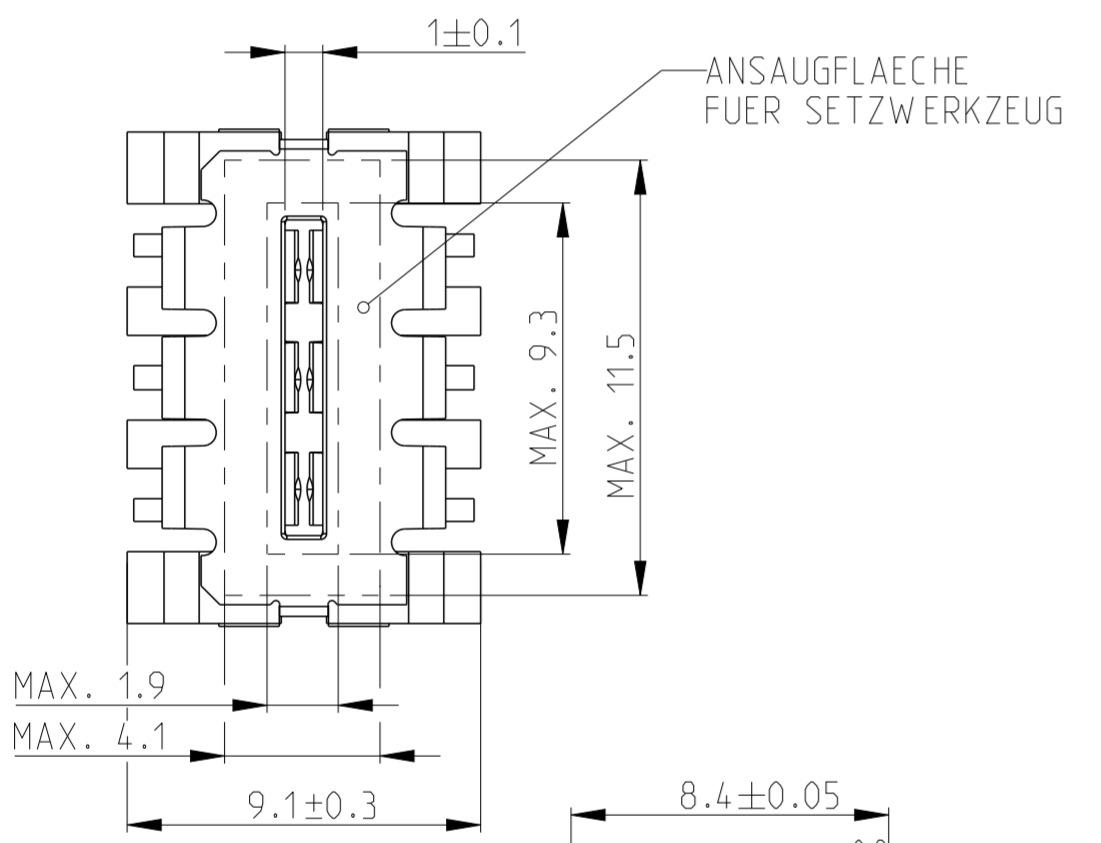
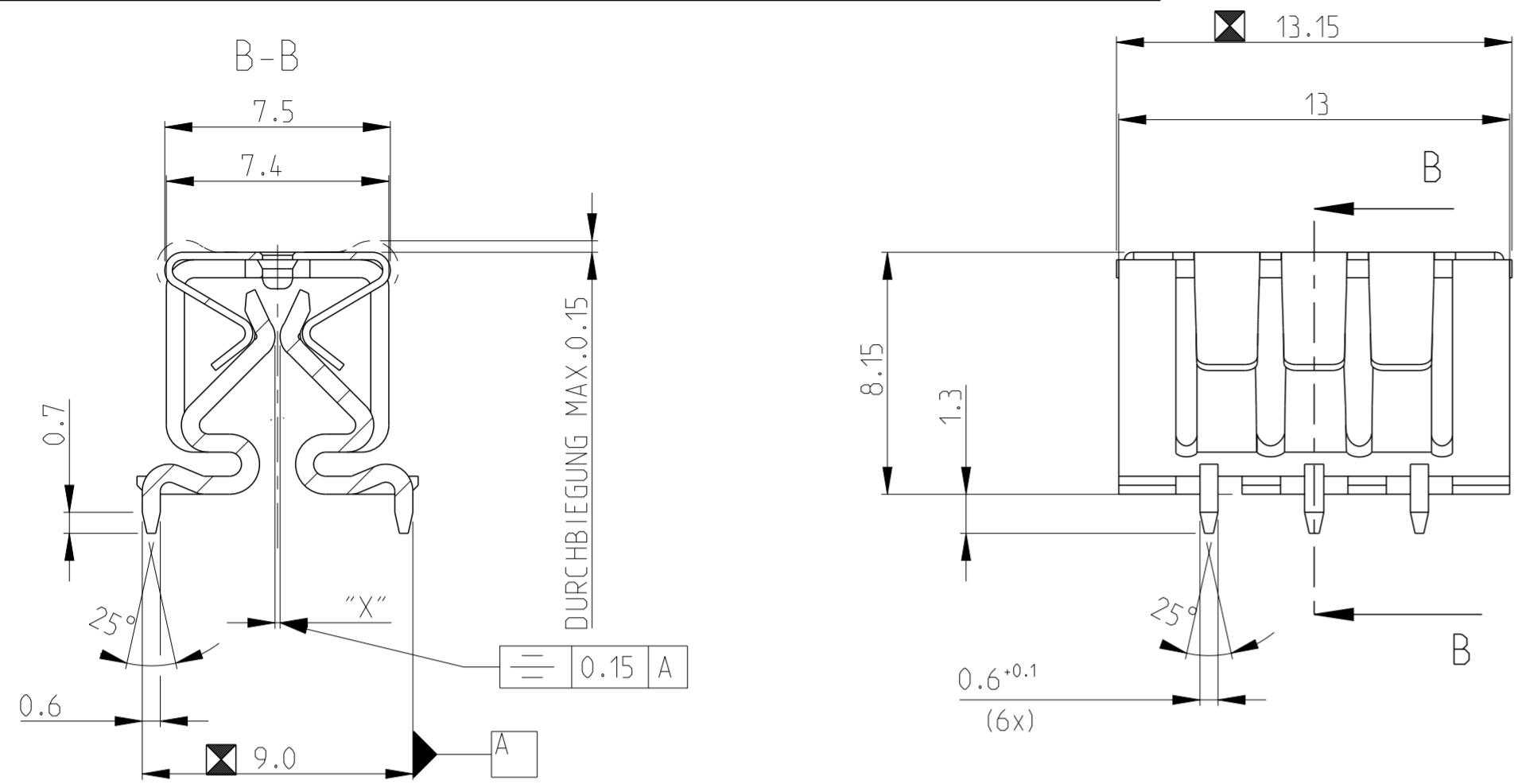
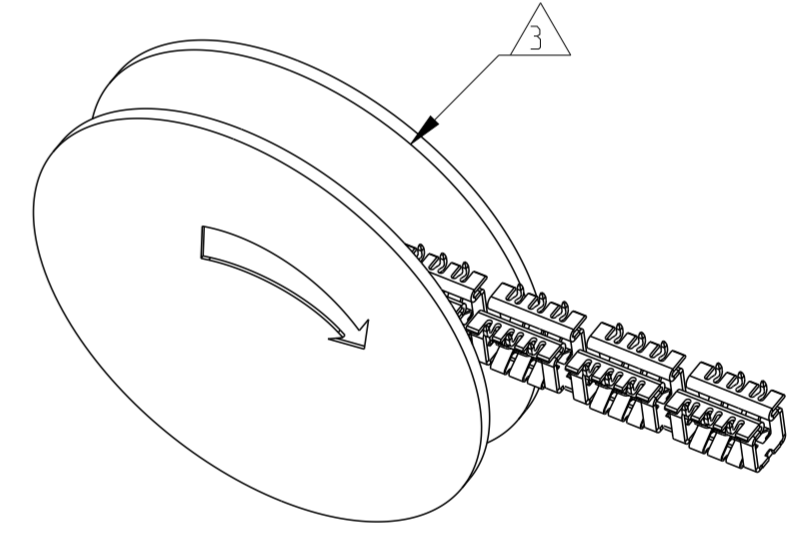
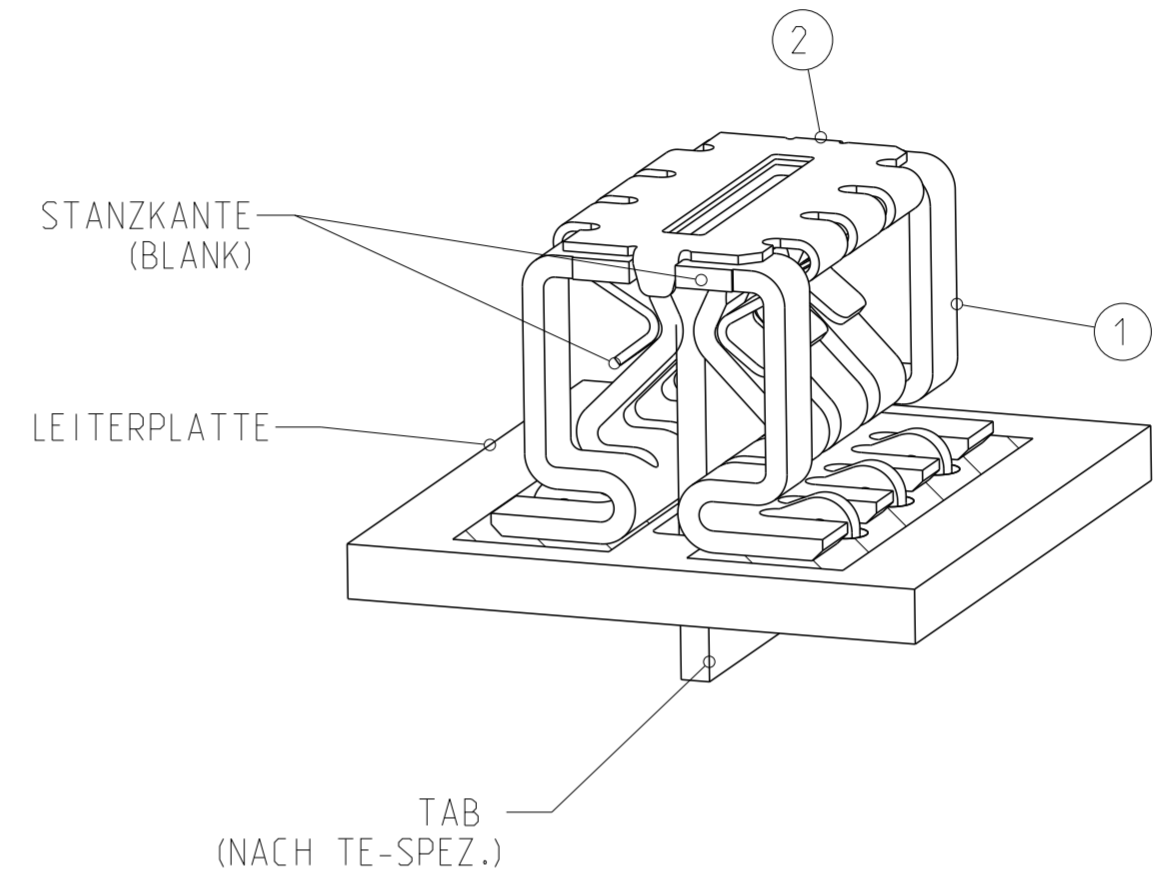


| REVISIONS |     |                              |           |     |      |
|-----------|-----|------------------------------|-----------|-----|------|
| P         | LTR | DESCRIPTION                  | DATE      | DWN | APVD |
| E         |     | REVISED AS PER ECR-13-007386 | 17MAR2014 | MKD | RRP  |
|           |     |                              |           |     |      |
|           |     |                              |           |     |      |



EMPFOHLENES LEITERPLATTENLOCHBILD

- 1 ANLIEFERUNGSZUSTAND: EINZELWARE TUBE PN 741186-1 VERPACKT IN VERSANDKARTON PN 740014-1 BITTE AN TE ZURUECKLIEFERN
  - 2 LOETPASTENAUFTRAG 150 µm
  - 3 KUNSTSTOFFSPULE 10 mm Breite . STUECKZAHL PRO SPULE 1500 STCK.
  - 4 PRODUKT-SPEZ. 108-18863
  - 5 LEITERPLATTENDICKE 1.6 NACH EN 60249-2-4
  - 6 SPC - MASS (NUR CMK-WERT)
- 1 SPLICE STELLE PRO SPULE. SPLICESTELLEN SIND NICHT MITEINANDER VERBUNDEN.



|          |                  |             |             |            |            |                   |   |
|----------|------------------|-------------|-------------|------------|------------|-------------------|---|
| MAX.0.15 | FUER TAB 7.5x0.5 | 1-1418578-2 | 1           | VERSILBERT | FEDERSTAHL | KONTAKTUEBERFEDER | 2 |
| MAX.0.15 | FUER TAB 7.5x0.5 | 1418578-2   | 3           | VERSILBERT | FEDERSTAHL | KONTAKTUEBERFEDER | 2 |
| MASS "X" | BEMERKUNGEN      | BESTELL-NR. | OBERFLAECHE | MATERIAL   | BENENNUNG  | POS               |   |

|  |  |                          |   |  |
|--|--|--------------------------|---|--|
| THIS DRAWING IS A CONTROLLED DOCUMENT. |  | DWN H. HATZMANN 4SEP2002 | TE Connectivity<br>BOTTOM - ENTRY SMC-PCB KONTAKT |  |
| DIMENSIONS: mm                         |  | CHK W. HOFFMANN          |   |  |
| TOLERANCES UNLESS OTHERWISE SPECIFIED: |  | APVD T. KLENNER          | NAME  |  |
| 0 PLC ±                                |  | PRODUCT SPEC             | SIZE  |  |
| 1 PLC ±0.2                             |  | APPLICATION SPEC         | CAGE CODE   |  |
| 2 PLC ±                                |  | WEIGHT                   | DRAWING NO  |  |
| 3 PLC ±                                |  | Customer Drawing         | RESTRICTED TO                                     |  |
| 4 PLC ±                                |  |                          | SCALE   |  |
| ANGLES ±°                              |  |                          | SHEET   |  |
| FINISH                                 |  |                          | OF  |  |
| MATERIAL SEE TAB.                      |  |                          | REV   |  |
| SEE TAB.                               |  |                          | E   |  |

