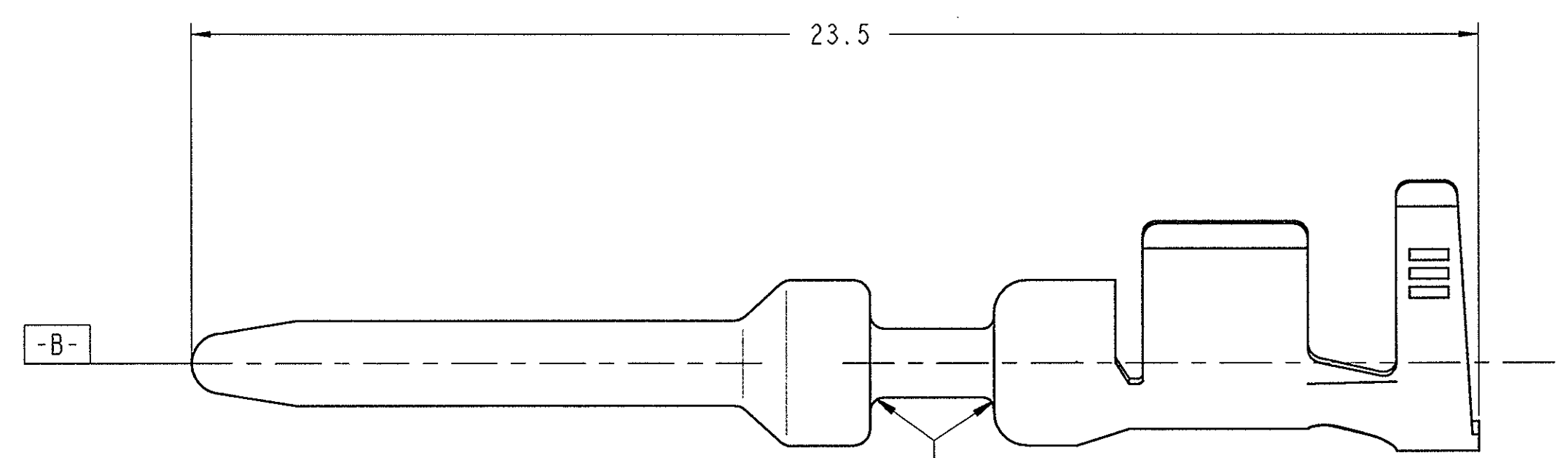


LOC		DIST		REVISIONS			
P	LYR	DATE	DWN	APVD			
A		04OCT2001	SS	JE			
A1		08NOV2001	CLD	JE			
A2		28SEPT2006	M.P.	R.M.			
A3		30MAY19	AP	VN			



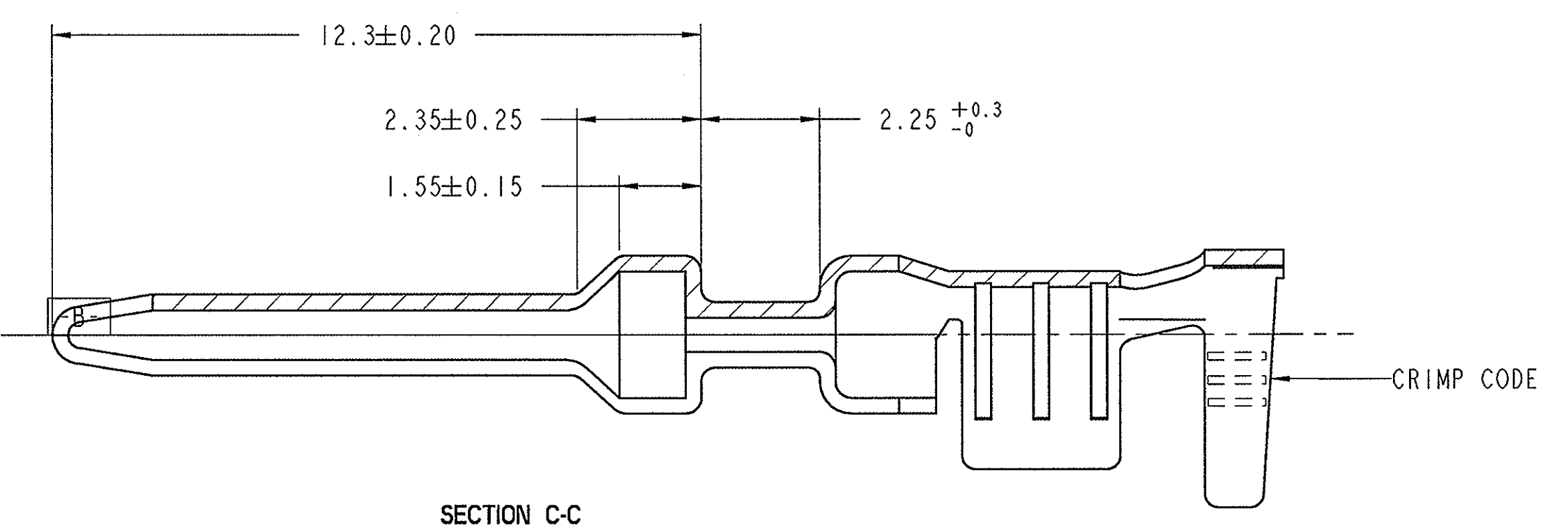
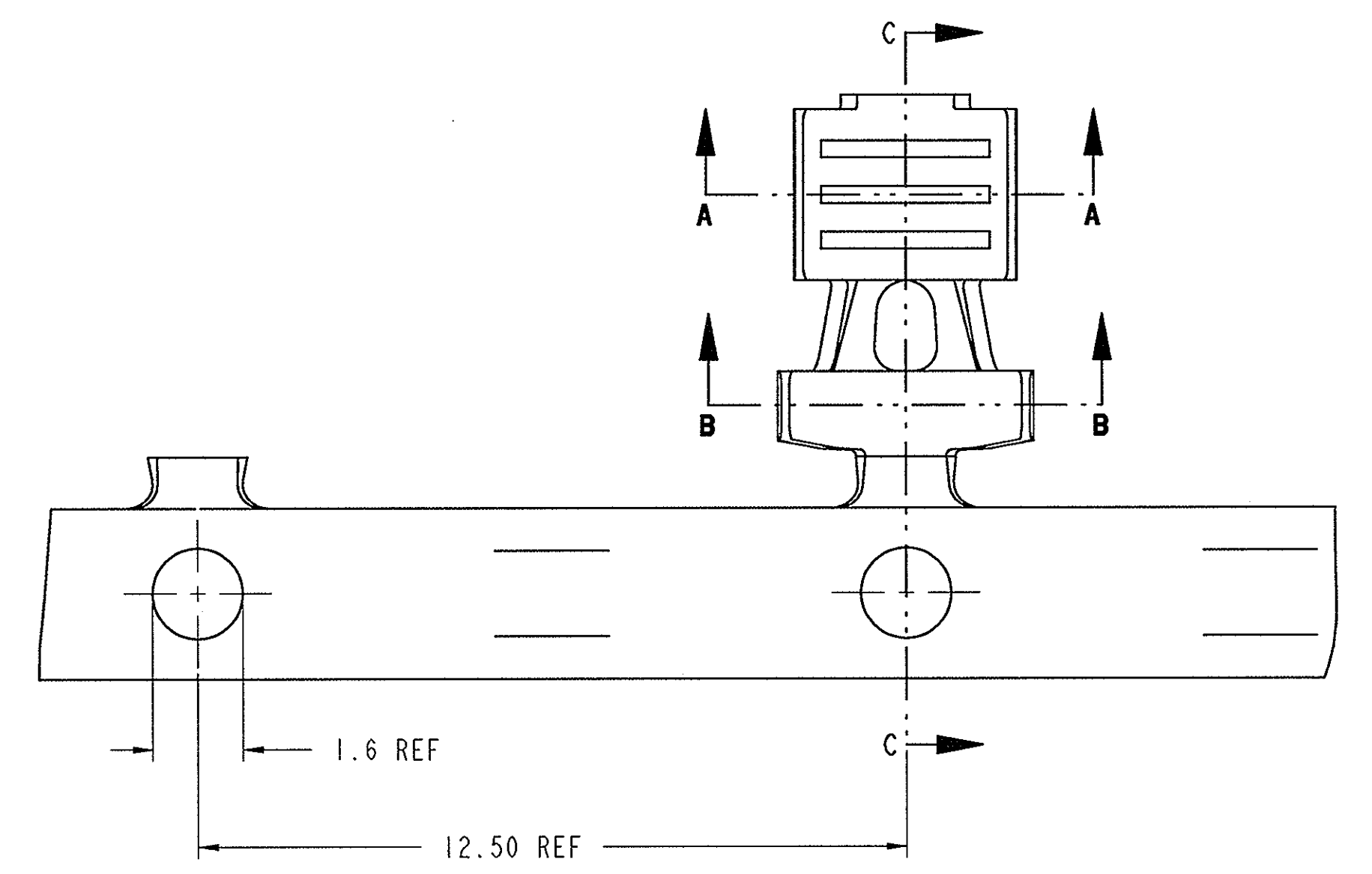
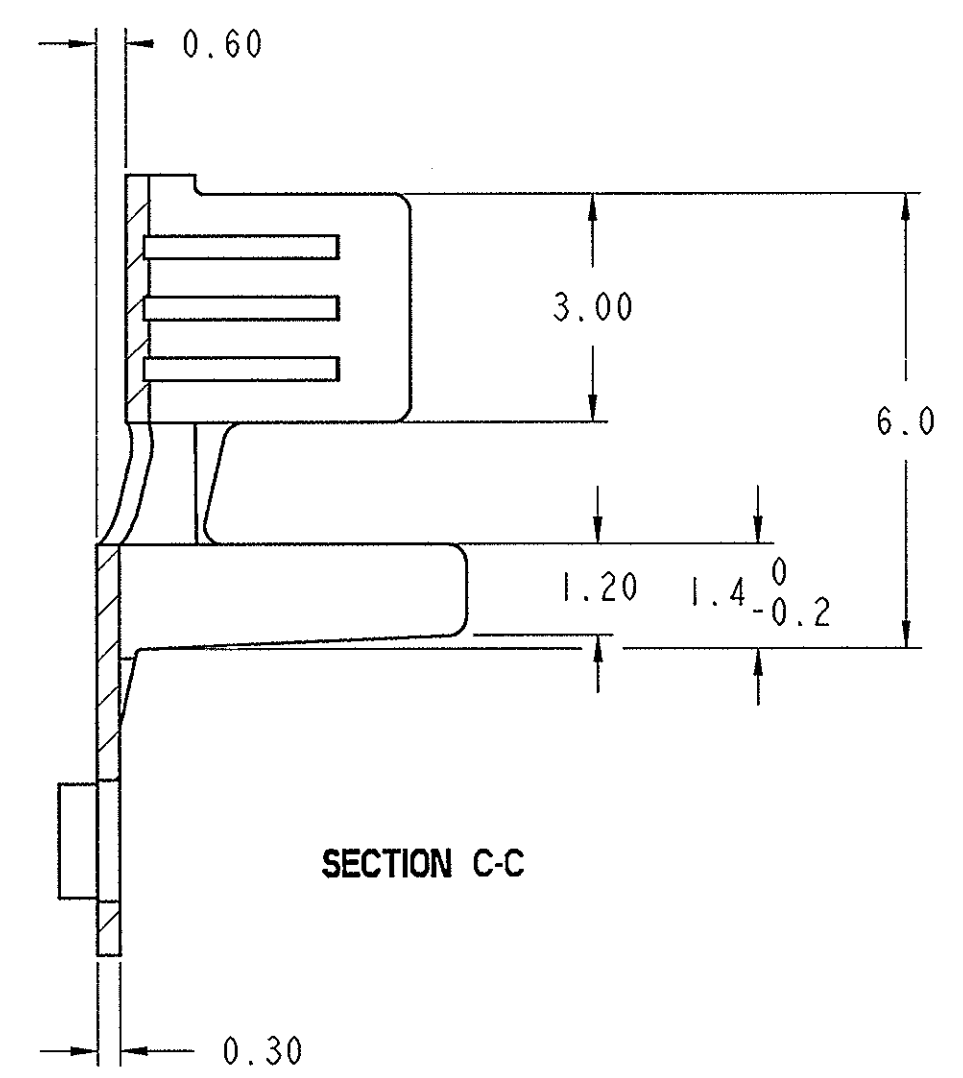
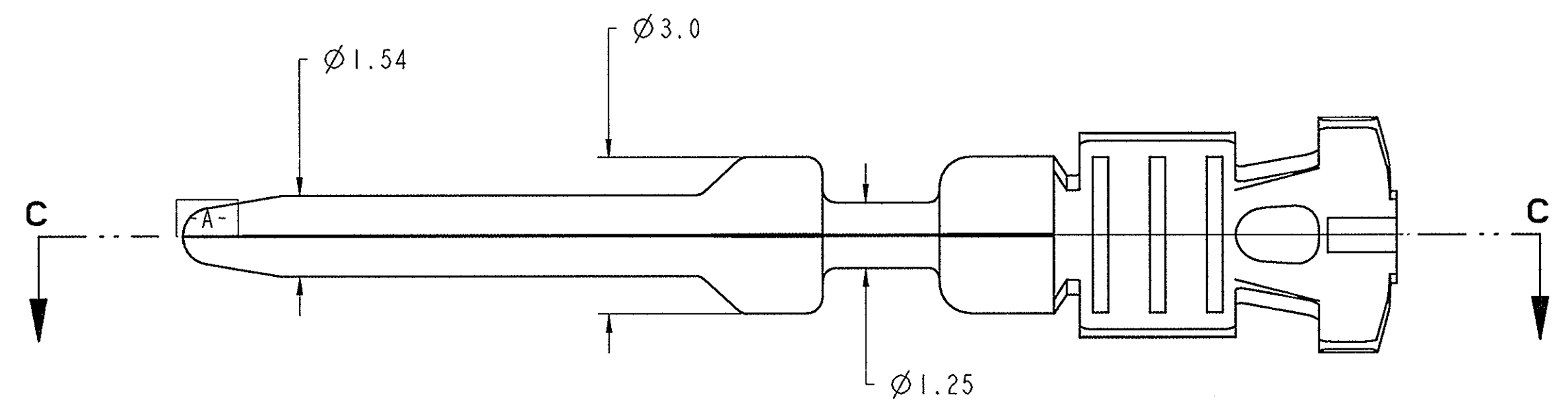
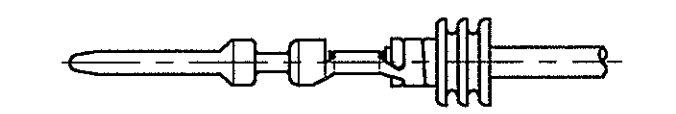
NECK DOWN AREA OF TERMINAL MUST NOT BREAK-OFF OR FRACTURE WHEN FRONT OF TERMINAL IS BENT IN ANY DIRECTION TO AN ANGLE OF 20° MIN. OFF THE CENTERLINE OF TERMINAL.

CRIMP TYPE	CRIMP AREA DIMENSION						CRIMP CODE
	B _c	D _c	H _c	B _i	D _i	H _i	
c	3.70 ±0.15	1.80 REF	3.90 ±0.15	4.70 ±0.15	2.60 REF	4.90 ±0.15	
b	2.60 ±0.15	1.20 REF	2.90 ±0.15	3.60 ±0.15	2.00 REF	4.00 ±0.15	
a	2.00 ±0.15	0.80 REF	2.20 ±0.15	2.80 ±0.15	1.60 REF	3.00 ±0.15	

FULL SIZE VIEWS
SCALE 1.000



FULL ASSY VIEW WATERPROOF
SCALE 2.000



- 1 SUPERSEDES 2-1437709-2
- 2 SUPERSEDES 2-1437709-3
- 3 SUPERSEDES 2-1437709-4

PART AS SUPPLIED							COMPONENTS		MATERIALS	COMPONENTS SUPPLIED APART		TO FIT IN CAVITY	
P/N	DESCRIPTION	WATERPROOF	WIRE CROSS SEC. AREA	CRIMP CODE	CRIMP SPEC.	WEIGHT	TERMINAL	WIRE SEAL	TERMINAL	WIRE SEAL	TYPE	DESCRIPTION	
1-1437709-1	TERMINAL MALE TIN PLT.	YES	0.22-0.35mm ²		AC/T/18/95	0.302gr.	I	SEE SHEET	DIN 17670 (CuSn6) TIN PLATED BRIGHT	1-1437713-1 (0.22-0.35) BLACK	AC/T/20/95	CAVITY TERMINAL MALE	
1-1437709-2	TERMINAL MALE TIN PLT.		0.50-1.00mm ²			0.322gr.	I			1-1437713-2 (0.50-1.00) RED			
1-1437709-3	TERMINAL MALE TIN PLT.		1.50-2.50mm ²			0.343gr.	I			1-1437713-3 (1.50) BLUE			
1-1437709-1	TERMINAL MALE TIN PLT.	NO	0.22-0.35mm ²		AC/T/18/95	0.302gr.	I	NOT USED					
1-1437709-2	TERMINAL MALE TIN PLT.		0.50-1.00mm ²			0.322gr.	I						
1-1437709-3	TERMINAL MALE TIN PLT.		1.50-2.50mm ²			0.343gr.	I						

STE TE Connectivity

1,6 SYSTEM TERMINAL MALE TIN PLATED

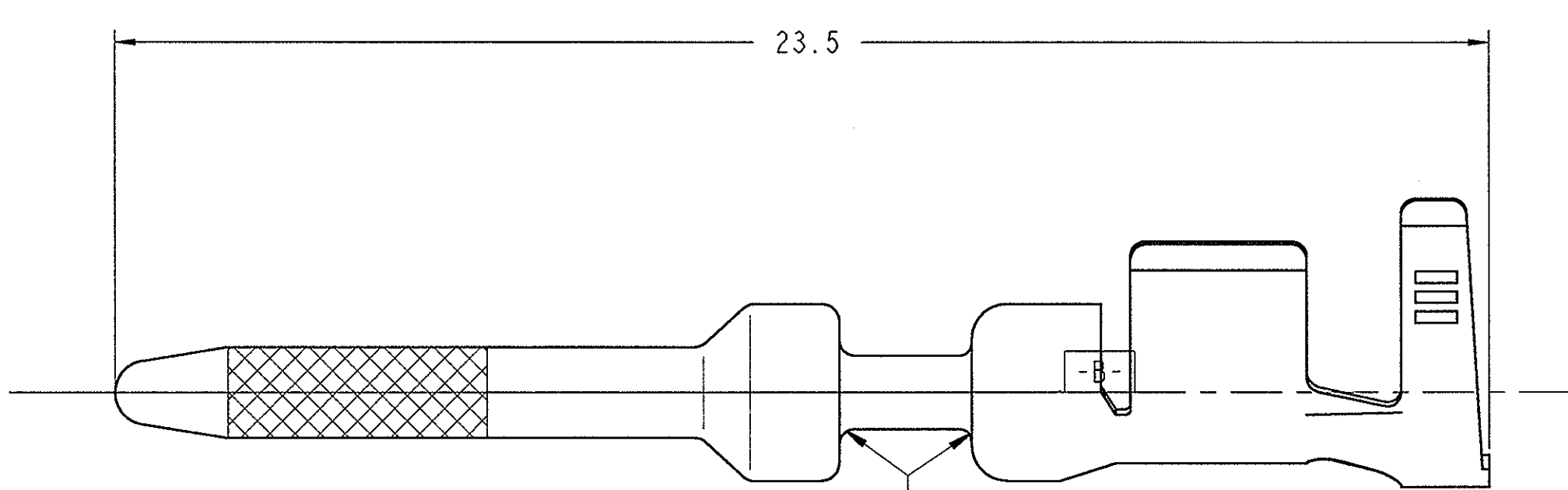
02OCT2001
S. Storch
08NOV2001
J. Evans
08NOV2001
J. Evans

DIMENSIONS: mm
TOLERANCES UNLESS OTHERWISE SPECIFIED:
0 PLC ±0.3
1 PLC ±0.1
2 PLC ±0.1
3 PLC ±0.1
4 PLC ±0.1
ANGLES ±1°
FINISH

APVD: J. Evans
PRODUCT SPEC: -
APPLICATION SPEC: -
WEIGHT: -
CUSTOMER DRAWING

SCALE 10:1 SHEET 1 OF 2 REV A3

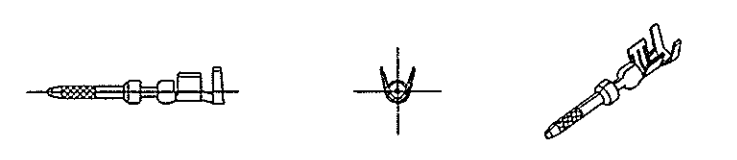
LOC	DIST	REV	DESCRIPTION	DATE	OWN	APVD
A1	-	-	- SEE SHEET 1 -	-	-	-



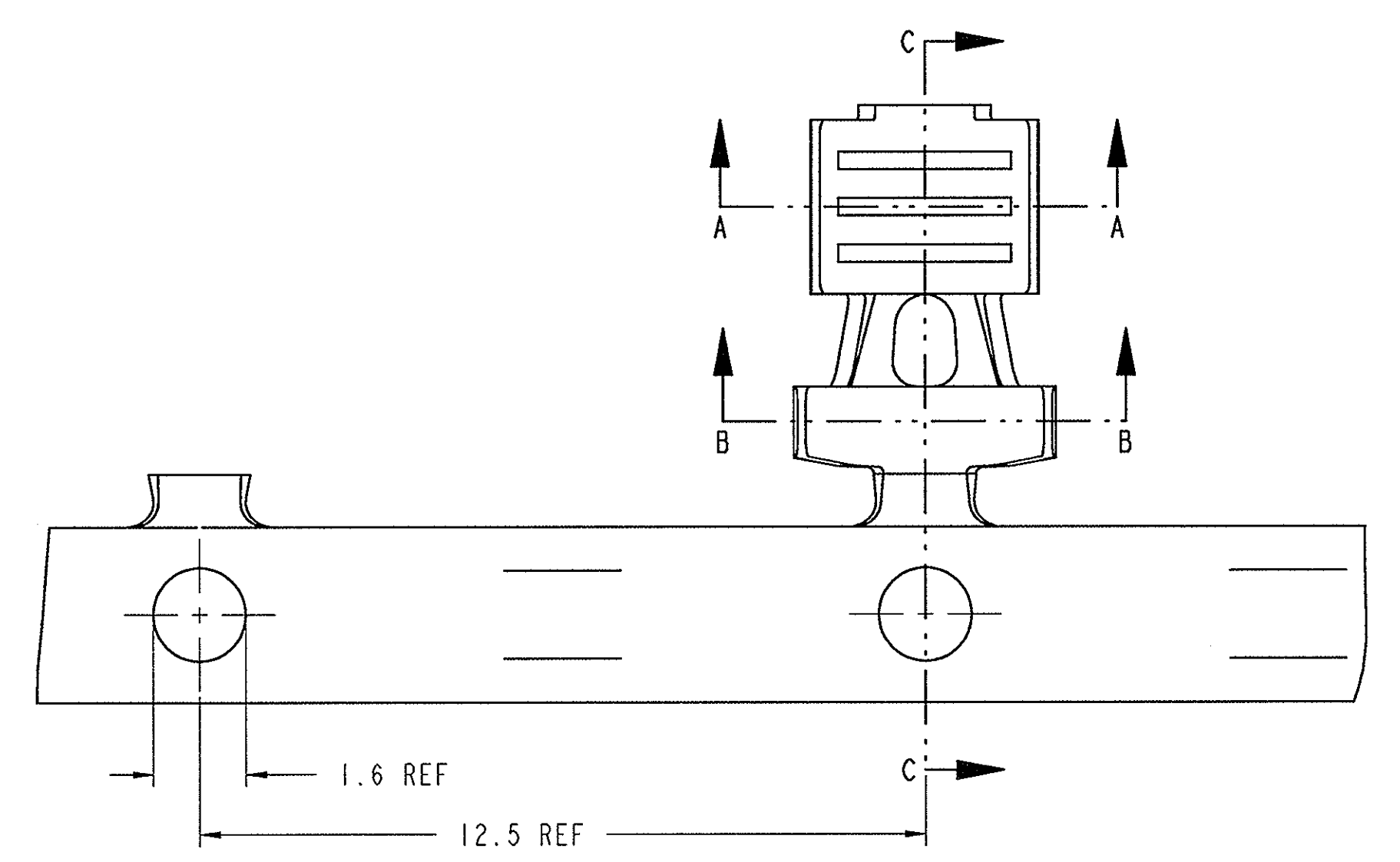
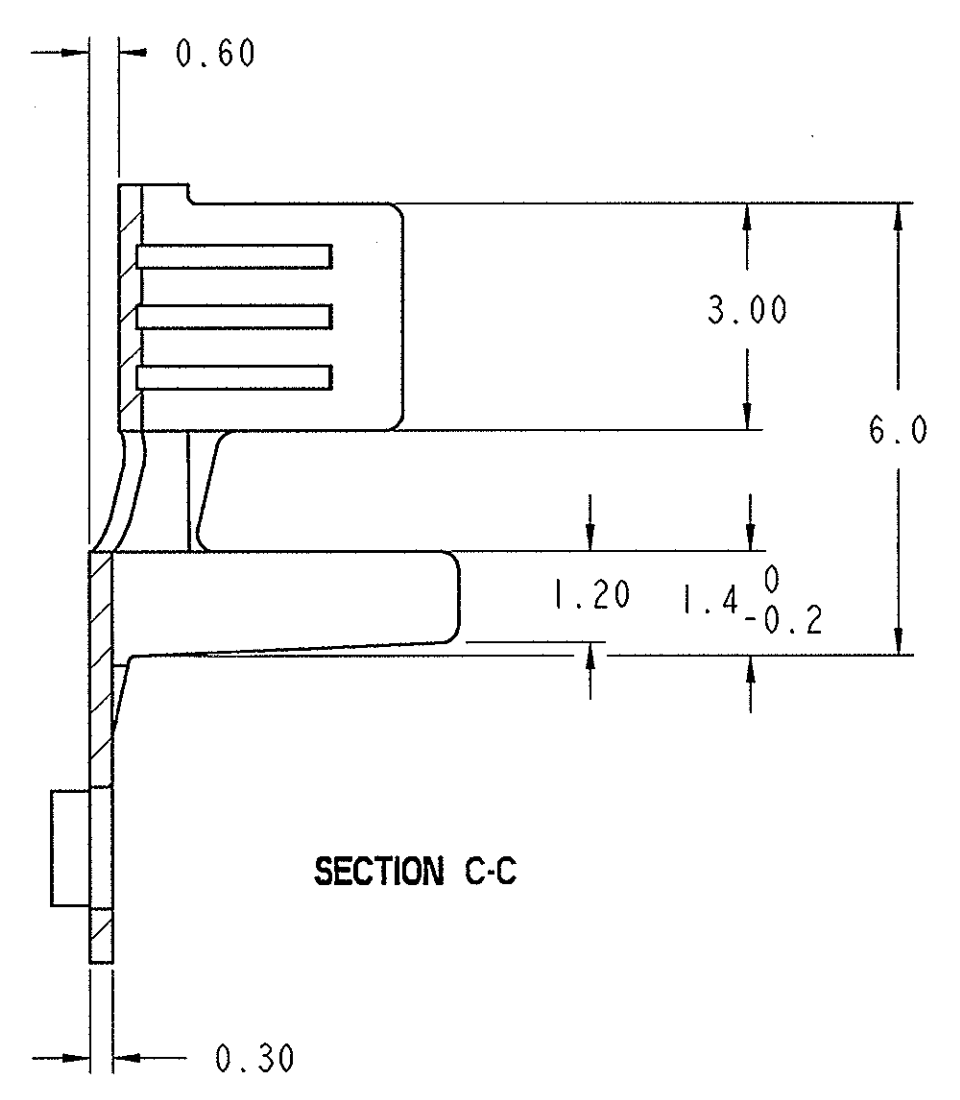
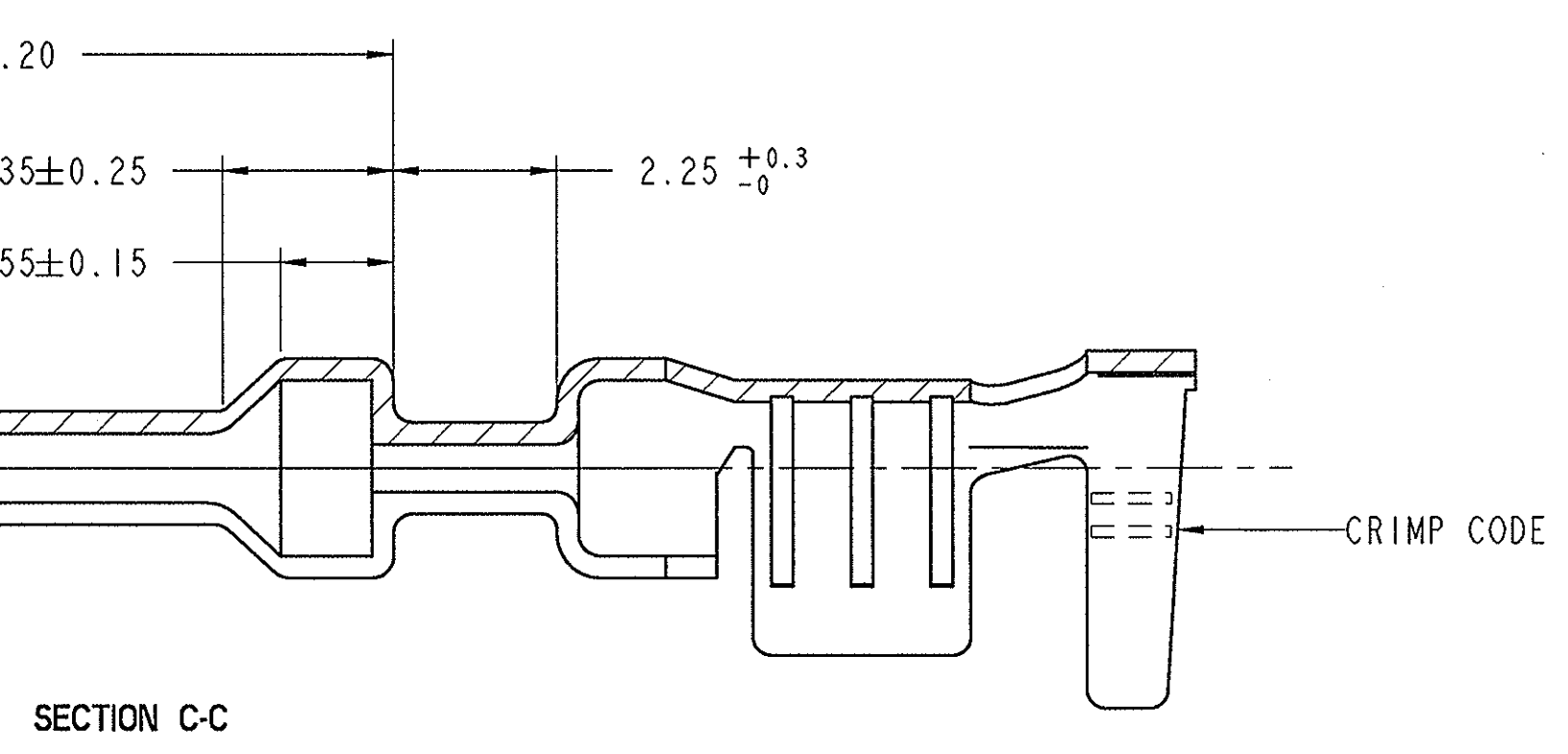
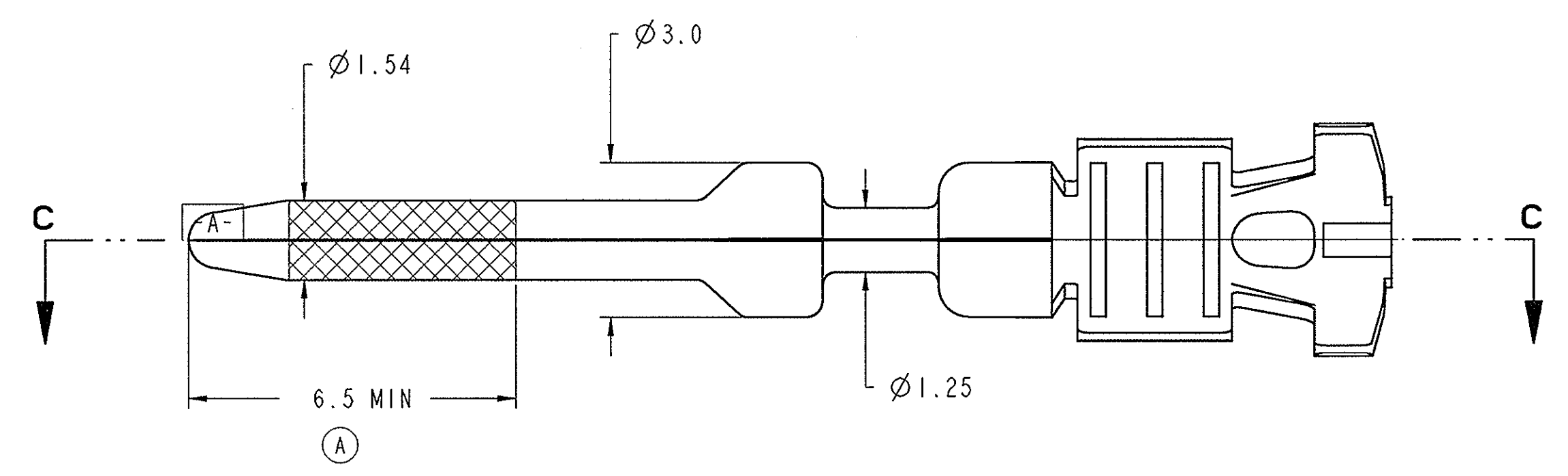
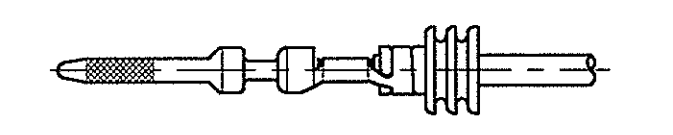
NECK DOWN AREA OF TERMINAL MUST NOT BREAK-OFF OR FRACTURE WHEN FRONT OF TERMINAL IS BENT IN ANY DIRECTION TO AN ANGLE OF 20° MIN. OFF THE CENTERLINE OF TERMINAL.

CRIMP TYPE	Bc	Dc	He	Bi	Di	Hi	CRIMP CODE
c	3.70 ±0.15	1.80 REF	3.90 ±0.15	4.70 ±0.15	2.60 REF	4.90 ±0.15	
b	2.60 ±0.15	1.20 REF	2.90 ±0.15	3.60 ±0.15	2.00 REF	4.00 ±0.15	
a	2.00 ±0.15	0.80 REF	2.20 ±0.15	2.80 ±0.15	1.60 REF	3.00 ±0.15	

FULL SIZE VIEWS
SCALE 1.000



FULL ASSY VIEW
WATERPROOF
SCALE 2.000



1 SUPERSEDES I-1437709-8
 2 OBSOLETE

PART AS SUPPLIED							COMPONENTS		MATERIALS	COMPONENTS SUPPLIED APART		TO FIT IN CAVITY	
P/N	DESCRIPTION	WATERPROOF	WIRE CROSS SEC. AREA	CRIMP CODE	CRIMP SPEC.	WEIGHT	TERMINAL	WIRE SEAL	TERMINAL	WIRE SEAL	TYPE	DESCRIPTION	
0-1437709-6	TERMINAL MALE GOLD PLT.	YES	0.22-0.35mm ²		AC/T/18/95	0.302gr.	I	SEE SHEET	DIN 17670 (CuSn6) GOLD PLATED AT LOCATION	1-1437713-1 (0.22-0.35) BLACK	AC/T/20/95	CAVITY TERMINAL MALE	
0-1437709-7	TERMINAL MALE GOLD PLT.		0.50-1.00mm ²			0.322gr.	I			1-1437713-2 (0.50-1.00) RED			
0-1437709-6	TERMINAL MALE GOLD PLT.	NO	0.22-0.35mm ²		AC/T/18/95	0.302gr.	I	NOT USED	(A) TIN PLATED MATTE	1-1437713-3 (1.50) BLUE			
0-1437709-7	TERMINAL MALE GOLD PLT.		0.50-1.00mm ²			0.322gr.	I						

STE Connectivity

020CY2001
 S. Storch
 08NOV2001
 J. Evans
 08NOV2001

1.6 SYSTEM
 TERMINAL MALE
 GOLD PLATED

SIZE: A1 CAGE CODE: 00779 DRAWING NO: 1418070
 SCALE: 10:1 SHEET 2 OF 2 REV A3