

REVISIONS			
REV	DESCRIPTION	DATE	BY
A4	REDRAWN FOR ECR-08-013212	03JAN2008	DS RM
A5	ECR-10-003630	08FEB2010	MP MG
A6	ECR-15-008793	16JAN2015	GN GB
A7	PART REV. CORR.: 2-1437712-5, 2-1437713-6	22JUL2014	GB SZG

PART AS SUPPLIED				COMPONENTS		COLOURS		MATERIALS		SUITABLE FOR			MATING PARTS		
TYCO ELECTRONICS PART No.	DESCRIPTION	WATERPROOF	WEIGHT	1 HOUSING	2 SPACER	1 HOUSING	2 SPACER	1 HOUSING	2 SPACER	TERMINAL MALE	WIRE SEAL	BLIND PLUG	TYCO ELECTRONICS PART No.	DESCRIPTION	
2-1437712-5	2 WAY FEMALE CONNECTOR	YES	3.5gr.	1	1					0-1437709-6 (10.22-0.35mm <sup>2</sup> ) GOLD PLATED 0-1437709-7 (10.50-1.00mm <sup>2</sup> ) GOLD PLATED 1-1437709-1 (10.22-0.35mm <sup>2</sup> ) TIN PLATED 1-1437709-2 (10.50-1.00mm <sup>2</sup> ) TIN PLATED 1-1437709-3 (11.50mm <sup>2</sup> ) TIN PLATED	1-1437713-1 (10.22-0.35) BLACK 1-1437713-2 (10.50-1.00) RED 1-1437713-3 (11.50) BLUE		1-1437713-4	5-1437710-5	2 WAY MALE CONNECTOR
2-1437713-6	2 WAY FEMALE CONNECTOR	NO	3.5gr.	1	1	BLACK	RED	HS-PBT 30% GF	PBTP 33% GF				5-1437710-6	2 WAY MALE CONNECTOR WITH RETAINER	

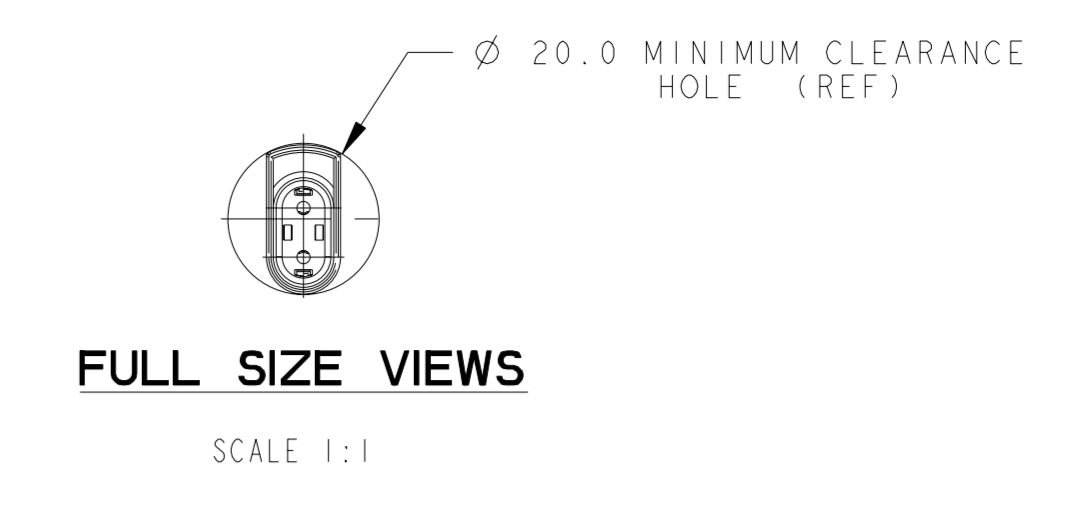
PART AS SUPPLIED				COMPONENTS		COLOURS		MATERIALS		SUITABLE FOR			MATING PARTS		
TYCO ELECTRONICS PART No.	DESCRIPTION	WATERPROOF	WEIGHT	1 HOUSING	2 SPACER	1 HOUSING	2 SPACER	1 HOUSING	2 SPACER	TERMINAL MALE	WIRE SEAL	BLIND PLUG	TYCO ELECTRONICS PART No.	DESCRIPTION	
2-1437712-8	2 WAY FEMALE CONNECTOR	YES	3.5gr.	1	1					0-1437709-6 (10.22-0.35mm <sup>2</sup> ) GOLD PLATED 0-1437709-7 (10.50-1.00mm <sup>2</sup> ) GOLD PLATED 1-1437709-1 (10.22-0.35mm <sup>2</sup> ) TIN PLATED 1-1437709-2 (10.50-1.00mm <sup>2</sup> ) TIN PLATED 1-1437709-3 (11.50mm <sup>2</sup> ) TIN PLATED	1-1437713-1 (10.22-0.35) BLACK 1-1437713-2 (10.50-1.00) RED 1-1437713-3 (11.50) BLUE		1-1437713-4	6-1437710-6	2 WAY MALE CONNECTOR
2-1437712-8	2 WAY FEMALE CONNECTOR	NO	3.5gr.	1	1	NATURAL	RED	PBTP 33% GF	PBTP 33% GF				6-1437710-7	2 WAY MALE CONNECTOR WITH RETAINER	

PART AS SUPPLIED				COMPONENTS		COLOURS		MATERIALS		SUITABLE FOR			MATING PARTS		
TYCO ELECTRONICS PART No.	DESCRIPTION	WATERPROOF	WEIGHT	1 HOUSING	2 SPACER	1 HOUSING	2 SPACER	1 HOUSING	2 SPACER	TERMINAL MALE	WIRE SEAL	BLIND PLUG	TYCO ELECTRONICS PART No.	DESCRIPTION	
2-1437712-9	2 WAY FEMALE CONNECTOR	YES	3.5gr.	1	1					0-1437709-6 (10.22-0.35mm <sup>2</sup> ) GOLD PLATED 0-1437709-7 (10.50-1.00mm <sup>2</sup> ) GOLD PLATED 1-1437709-1 (10.22-0.35mm <sup>2</sup> ) TIN PLATED 1-1437709-2 (10.50-1.00mm <sup>2</sup> ) TIN PLATED 1-1437709-3 (11.50mm <sup>2</sup> ) TIN PLATED	1-1437713-1 (10.22-0.35) BLACK 1-1437713-2 (10.50-1.00) RED 1-1437713-3 (11.50) BLUE		1-1437713-4	7-1437710-0	2 WAY MALE CONNECTOR WITH RETAINER
2-1437712-9	2 WAY FEMALE CONNECTOR	NO	3.5gr.	1	1	RED	RED	PBTP 33% GF	PBTP 33% GF				7-1437710-1	2 WAY MALE CONNECTOR WITH RETAINER	

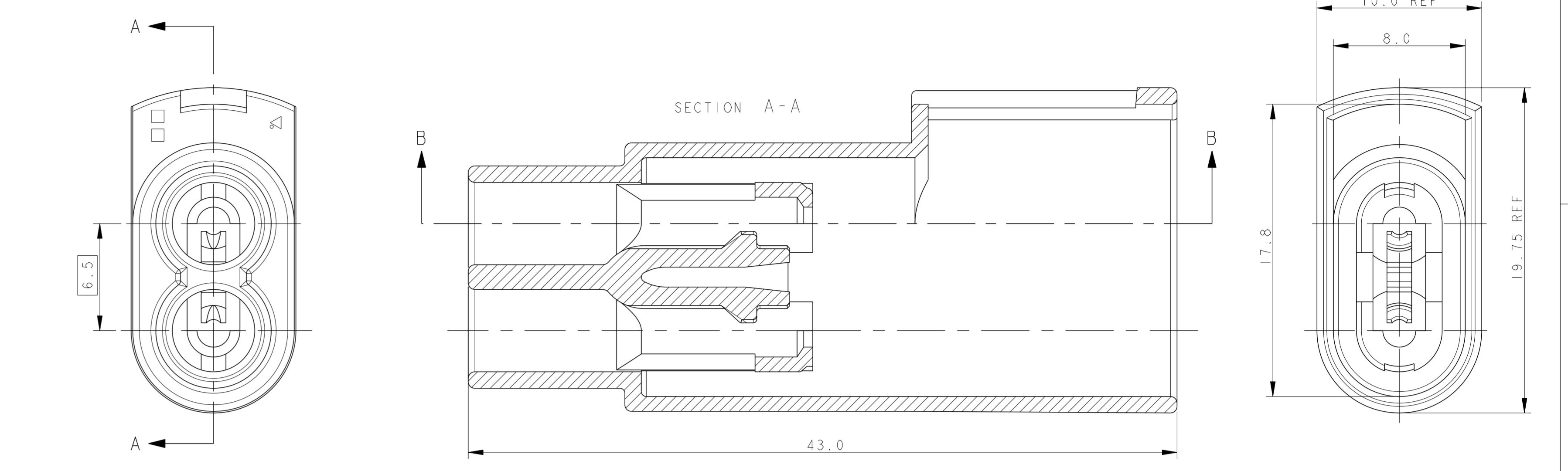
PART AS SUPPLIED				COMPONENTS		COLOURS		MATERIALS		SUITABLE FOR			MATING PARTS		
TYCO ELECTRONICS PART No.	DESCRIPTION	WATERPROOF	WEIGHT	1 HOUSING	2 SPACER	1 HOUSING	2 SPACER	1 HOUSING	2 SPACER	TERMINAL MALE	WIRE SEAL	BLIND PLUG	TYCO ELECTRONICS PART No.	DESCRIPTION	
2-1437712-6	2 WAY FEMALE CONNECTOR	YES	3.5gr.	1	1					0-1437709-6 (10.22-0.35mm <sup>2</sup> ) GOLD PLATED 0-1437709-7 (10.50-1.00mm <sup>2</sup> ) GOLD PLATED 1-1437709-1 (10.22-0.35mm <sup>2</sup> ) TIN PLATED 1-1437709-2 (10.50-1.00mm <sup>2</sup> ) TIN PLATED 1-1437709-3 (11.50mm <sup>2</sup> ) TIN PLATED	1-1437713-1 (10.22-0.35) BLACK 1-1437713-2 (10.50-1.00) RED 1-1437713-3 (11.50) BLUE		1-1437713-4	5-1437710-9	2 WAY MALE CONNECTOR
2-1437712-6	2 WAY FEMALE CONNECTOR	NO	3.5gr.	1	1	BLUE	RED	PBTP 33% GF	PBTP 33% GF				6-1437710-0	2 WAY MALE CONNECTOR WITH RETAINER	

PART AS SUPPLIED				COMPONENTS		COLOURS		MATERIALS		SUITABLE FOR			MATING PARTS		
TYCO ELECTRONICS PART No.	DESCRIPTION	WATERPROOF	WEIGHT	1 HOUSING	2 SPACER	1 HOUSING	2 SPACER	1 HOUSING	2 SPACER	TERMINAL MALE	WIRE SEAL	BLIND PLUG	TYCO ELECTRONICS PART No.	DESCRIPTION	
2-1437712-7	2 WAY FEMALE CONNECTOR	YES	3.5gr.	1	1					0-1437709-6 (10.22-0.35mm <sup>2</sup> ) GOLD PLATED 0-1437709-7 (10.50-1.00mm <sup>2</sup> ) GOLD PLATED 1-1437709-1 (10.22-0.35mm <sup>2</sup> ) TIN PLATED 1-1437709-2 (10.50-1.00mm <sup>2</sup> ) TIN PLATED 1-1437709-3 (11.50mm <sup>2</sup> ) TIN PLATED	1-1437713-1 (10.22-0.35) BLACK 1-1437713-2 (10.50-1.00) RED 1-1437713-3 (11.50) BLUE		1-1437713-4	6-1437710-3	2 WAY MALE CONNECTOR
2-1437712-7	2 WAY FEMALE CONNECTOR	NO	3.5gr.	1	1	GRAY	RED	PBTP 33% GF	PBTP 33% GF				6-1437710-4	2 WAY MALE CONNECTOR WITH RETAINER	

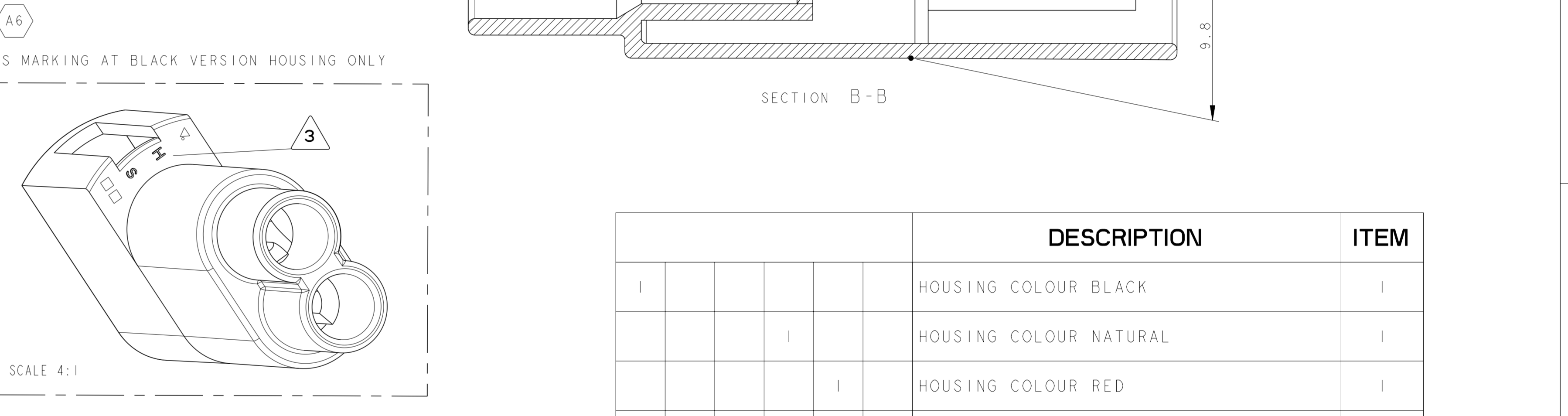
PART AS SUPPLIED				COMPONENTS		COLOURS		MATERIALS		SUITABLE FOR			MATING PARTS		
TYCO ELECTRONICS PART No.	DESCRIPTION	WATERPROOF	WEIGHT	1 HOUSING	2 SPACER	1 HOUSING	2 SPACER	1 HOUSING	2 SPACER	TERMINAL MALE	WIRE SEAL	BLIND PLUG	TYCO ELECTRONICS PART No.	DESCRIPTION	
3-1437712-0	2 WAY FEMALE CONNECTOR	YES	3.5gr.	1	1					0-1437709-6 (10.22-0.35mm <sup>2</sup> ) GOLD PLATED 0-1437709-7 (10.50-1.00mm <sup>2</sup> ) GOLD PLATED 1-1437709-1 (10.22-0.35mm <sup>2</sup> ) TIN PLATED 1-1437709-2 (10.50-1.00mm <sup>2</sup> ) TIN PLATED 1-1437709-3 (11.50mm <sup>2</sup> ) TIN PLATED	1-1437713-1 (10.22-0.35) BLACK 1-1437713-2 (10.50-1.00) RED 1-1437713-3 (11.50) BLUE		1-1437713-4	7-1437710-2	2 WAY MALE CONNECTOR
3-1437712-0	2 WAY FEMALE CONNECTOR	NO	3.5gr.	1	1	YELLOW	RED	PBTP 33% GF	PBTP 33% GF				7-1437710-3	2 WAY MALE CONNECTOR WITH RETAINER	



**1 HOUSING**  
WATERPROOF / NON WATERPROOF

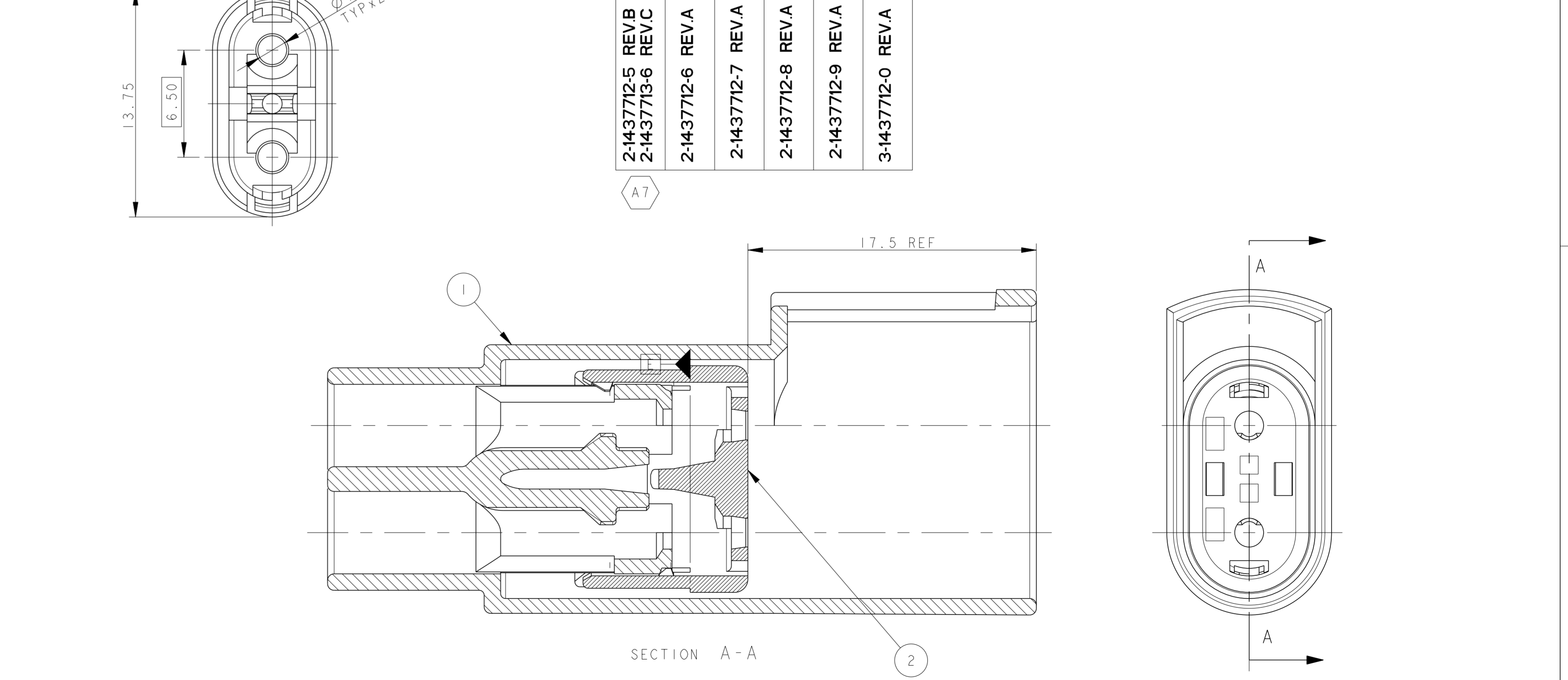


**2 SPACER**



				DESCRIPTION	ITEM
1				HOUSING COLOUR BLACK	1
	1			HOUSING COLOUR NATURAL	1
		1		HOUSING COLOUR RED	1
			1	HOUSING COLOUR YELLOW	1
			1	HOUSING COLOUR GRAY	1
	1			HOUSING COLOUR BLUE	1
1	1	1		SPACER COLOUR RED	2

**3 HS MARKING**



NOTES UNLESS OTHERWISE SPECIFIED:  
 1) SEE CHART FOR MATING PART NUMBERS.  
 2) THE CONNECTOR IS DESIGNED TO PASS THROUGH A Ø 20.00mm MIN. HOLE

HS MARKING - HIGH SPEED MATERIAL  
 PBT GF 30 - IN CASE BLACK VERSION ONLY

THIS DRAWING IS A CONTROLLED DOCUMENT.

DATE: 21FEB2006	BY: M. PALMA	CHK: M. MARTI	DATE: 21FEB2006
REV: 0	DATE: 21FEB2006	REV: 1	DATE: 21FEB2006

TE Connectivity

1.6mm SYSTEM  
2 WAYS CONNECTOR  
FEMALE

SCALE: 5:1 SHEET 1 OF 2

REVISIONS				
P.	BY	DESCRIPTION	DATE	APP'D
-	SEE SHEET 1			

1.6

2 WAYS FEMALE , BLACK		TYPE
<b>ASSEMBLY</b>		
T&B UNIVERSAL PART No.	106045 / 106046	-
TYCO ELECTRONICS PART No.	⚠ 0-1437712-4	
T&B FORD PART No.	NPIWA-0002XX	
FORD PART No.	89FG-14A624-ABB	WATERPROOF
TYCO ELECTRONICS PART No.	2-1437712-5	
T&B FORD PART No.	NPIWA-DA02XX	
FORD PART No.	89FG-14A459-ABB	NON WATERPROOF
TYCO ELECTRONICS PART No.	2-1437713-6	

⚠ OBSOLETE, SUPERSEDED BY 2-1437712-5

2 WAYS FEMALE, RED		TYPE
<b>ASSEMBLY</b>		
T&B UNIVERSAL PART No.	106045 / 106046-R	-
TYCO ELECTRONICS PART No.	⚠ 0-1437712-7	
T&B FORD PART No.	NPIWA-R002XX	
FORD PART No.	89FG-14A624-ABB	WATERPROOF
TYCO ELECTRONICS PART No.	2-1437712-9	
T&B FORD PART No.	NPIWA-RA02XX	
FORD PART No.	89FG-14A459-ABB	NON WATERPROOF
TYCO ELECTRONICS PART No.	-	

⚠ OBSOLETE, SUPERSEDED BY 2-1437712-9

2 WAYS FEMALE, NATURAL		TYPE
<b>ASSEMBLY</b>		
T&B UNIVERSAL PART No.	106045 / 106046-N	-
TYCO ELECTRONICS PART No.	⚠ 0-1437712-6	
T&B FORD PART No.	NPIWA-N002XX	
FORD PART No.	89FG-14A624-ABB	WATERPROOF
TYCO ELECTRONICS PART No.	2-1437712-8	
T&B FORD PART No.	NPIWA-NA02XX	
FORD PART No.	89FG-14A459-ABB	NON WATERPROOF
TYCO ELECTRONICS PART No.	-	


⚠ OBSOLETE, SUPERSEDED BY 2-1437712-8

2 WAYS FEMALE, GREY		TYPE
<b>ASSEMBLY</b>		
T&B UNIVERSAL PART No.	106045 / 106046-G	-
TYCO ELECTRONICS PART No.	-	
T&B FORD PART No.	NPIWA-G002XX	
FORD PART No.	89FG-14A624-ABB	WATERPROOF
TYCO ELECTRONICS PART No.	2-1437712-7	
T&B FORD PART No.	NPIWA-GA02XX	
FORD PART No.	89FG-14A459-ABB	NON WATERPROOF
TYCO ELECTRONICS PART No.	-	

2 WAYS FEMALE, YELLOW		TYPE
<b>ASSEMBLY</b>		
T&B UNIVERSAL PART No.	106045 / 106046-Y	-
TYCO ELECTRONICS PART No.	-	
T&B FORD PART No.	NPIWA-Y002XX	
FORD PART No.	89FG-14A624-ABB	WATERPROOF
TYCO ELECTRONICS PART No.	3-1437712-0	
T&B FORD PART No.	NPIWA-YA02XX	
FORD PART No.	89FG-14A459-ABB	NON WATERPROOF
TYCO ELECTRONICS PART No.	-	

2 WAYS FEMALE, BLUE		TYPE
<b>ASSEMBLY</b>		
T&B UNIVERSAL PART No.	106045 / 106046-D	-
TYCO ELECTRONICS PART No.	⚠ 0-1437712-5	
T&B FORD PART No.	NPIWA-D002XX	
FORD PART No.	89FG-14A624-ABB	WATERPROOF
TYCO ELECTRONICS PART No.	2-1437712-6	
T&B FORD PART No.	NPIWA-DA02XX	
FORD PART No.	89FG-14A459-ABB	NON WATERPROOF
TYCO ELECTRONICS PART No.	-	

⚠ OBSOLETE, SUPERSEDED BY 2-1437712-6

THIS DRAWING IS A CONTROLLED DOCUMENT.		REV. M. PALMA, 21FEB2006	 TE Connectivity
DIMENSIONS:		CHK. J. MARTIN, 21FEB2006	
0 DIM 1 P/LC .5 2 P/LC .63 3 P/LC .8 4 P/LC 1.0 ANGLES FINISH		APP'D. J. GENT, 21FEB2006 PRODUCT SPEC 108-20269 APPLICATION SPEC 411-20111	
MATERIAL SEE TABLE		WEIGHT SEE TABLE	SIZE CASE CODE DRAWING NO A0 00779 1418067
CUSTOMER DRAWING		SCALE 5:1	SHEET 2 OF 2 REV. A7