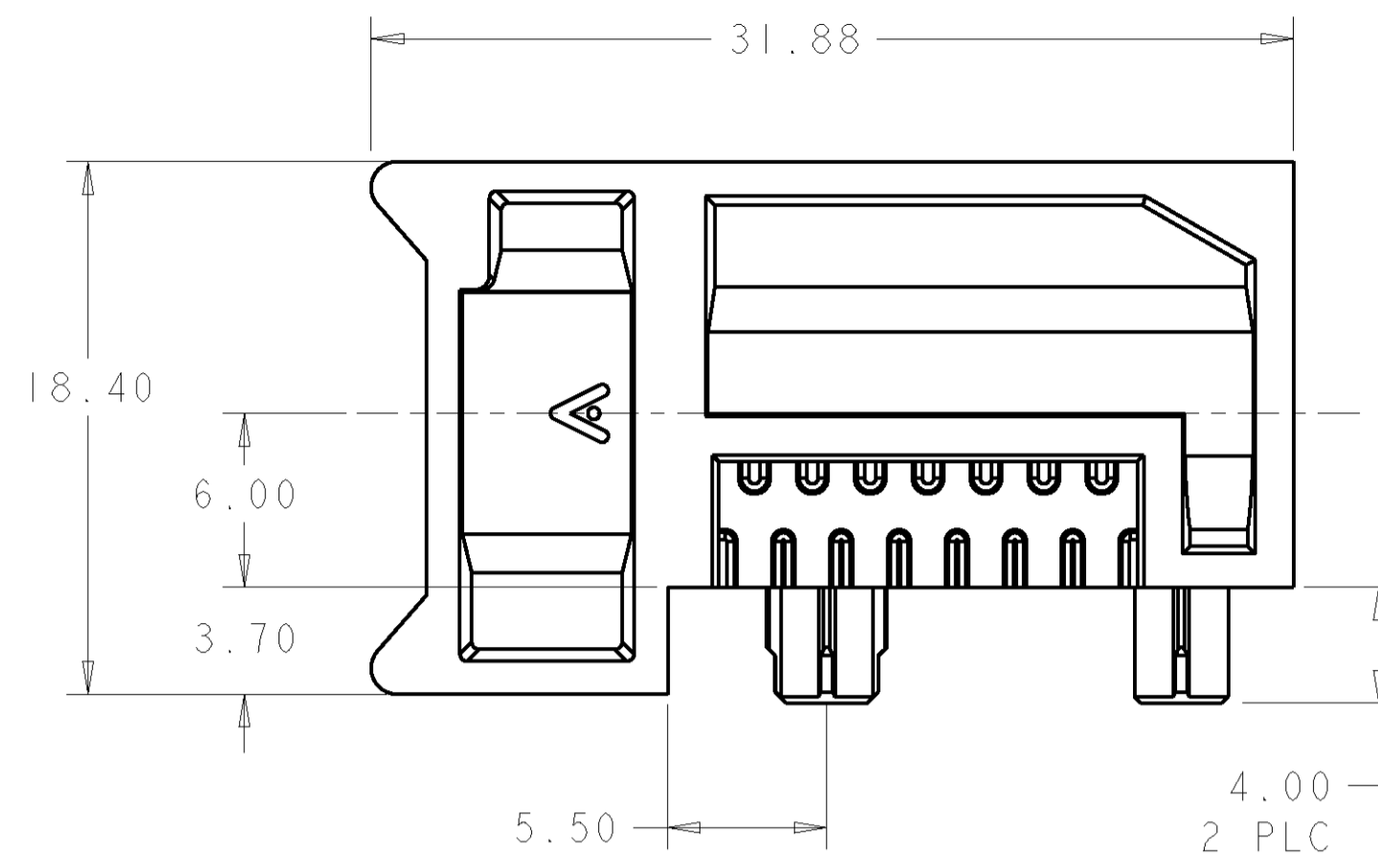
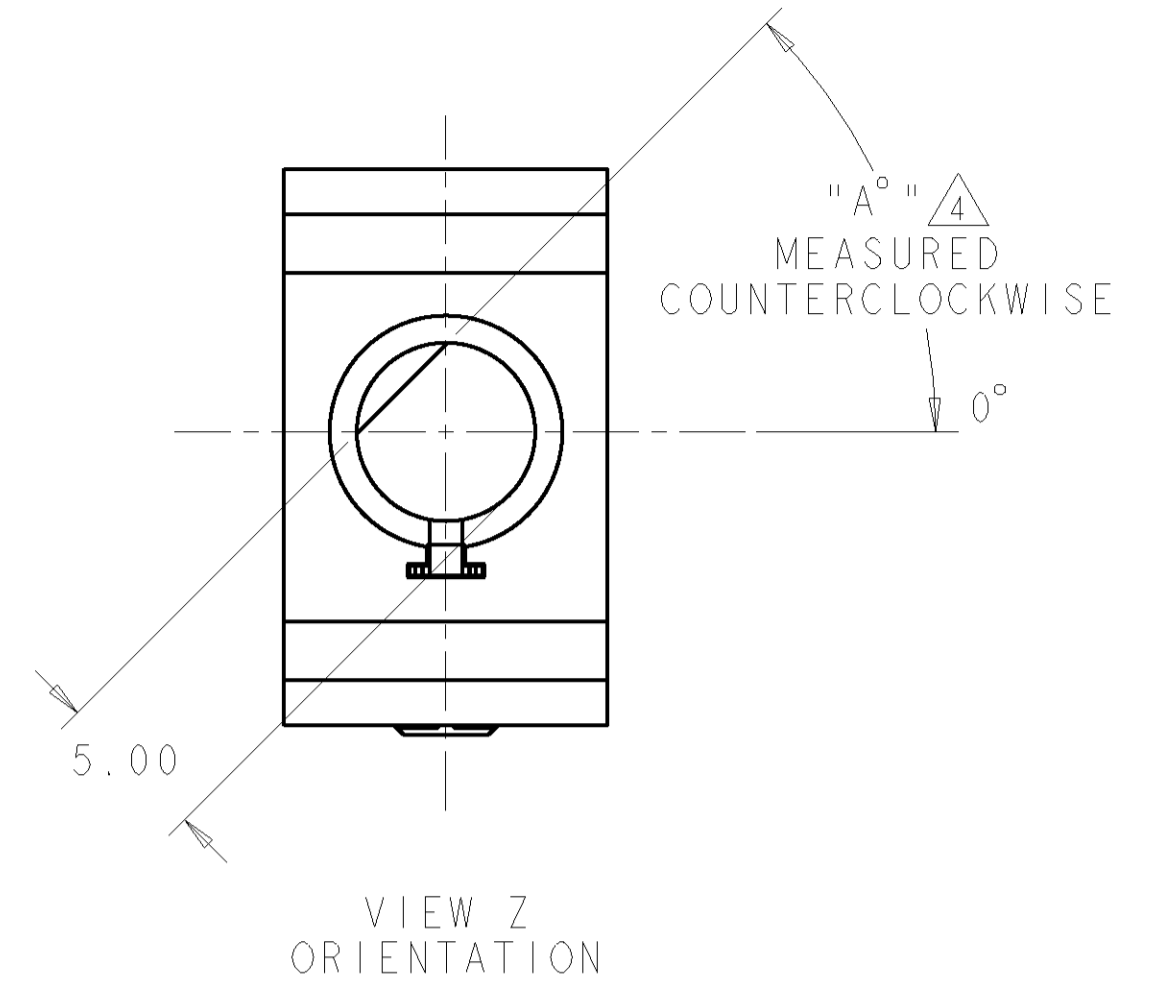
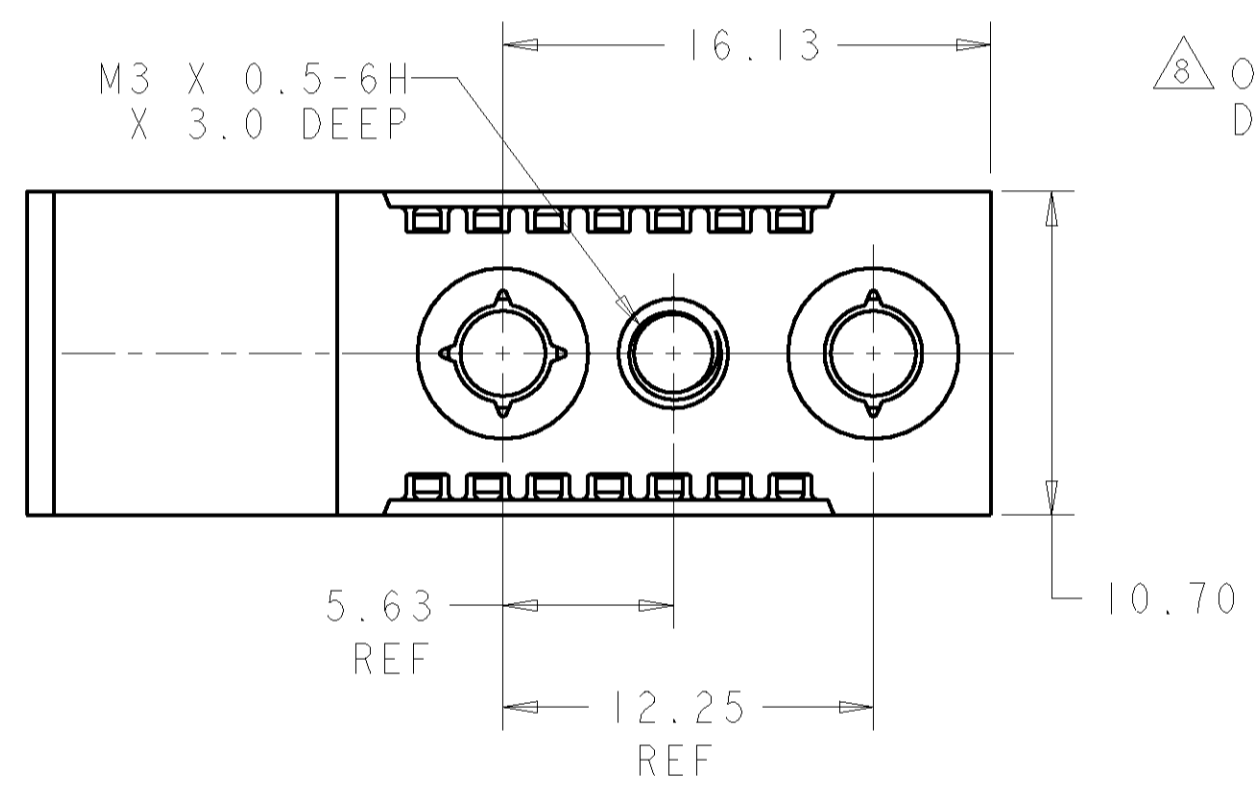
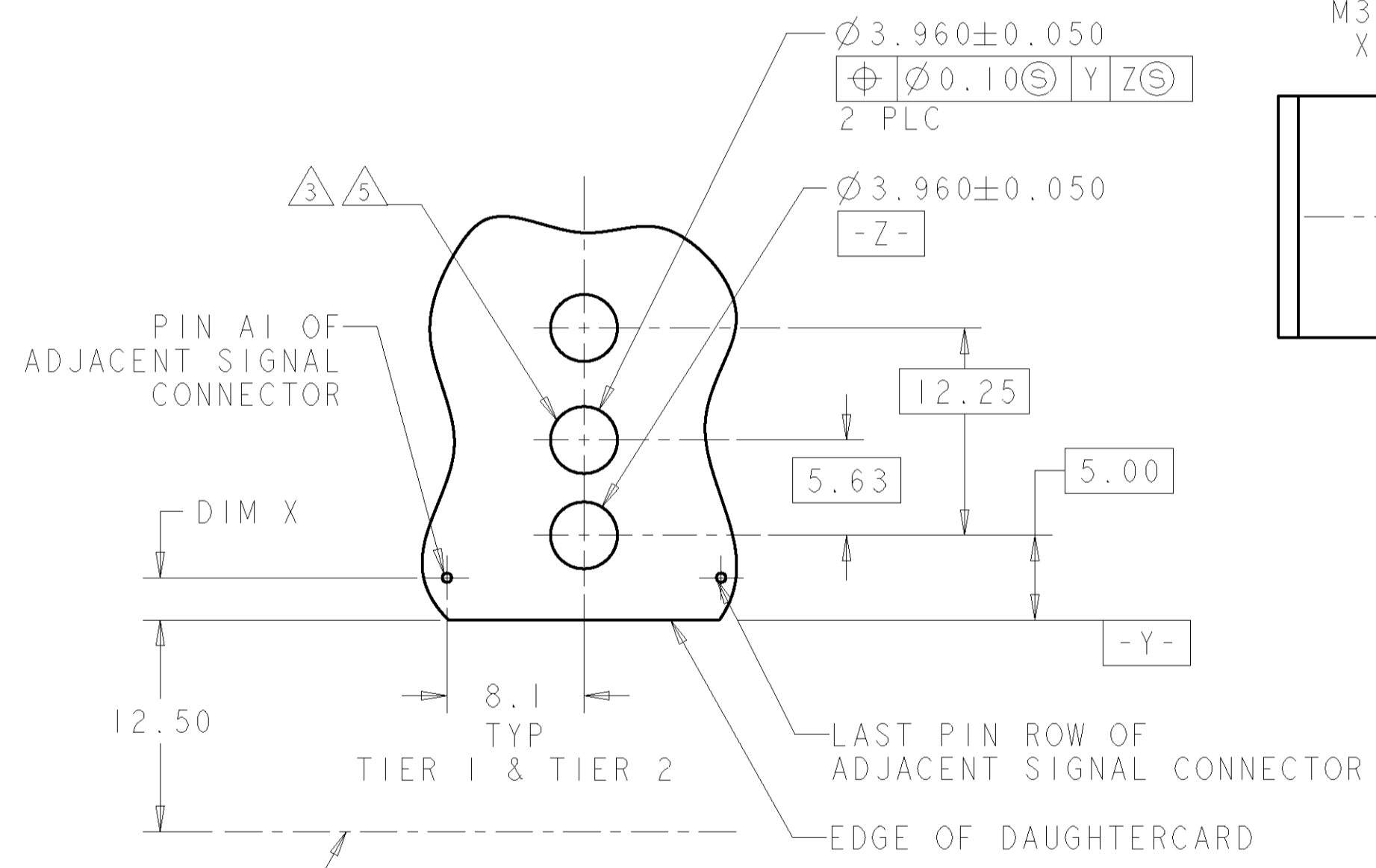


THIS DRAWING IS UNPUBLISHED. RELEASED FOR PUBLICATION 20  
 © COPYRIGHT 20 BY TYCO ELECTRONICS CORPORATION. ALL RIGHTS RESERVED.

LOC	DIST	REVISIONS					
CG	00	P	LTR	DESCRIPTION	DATE	DWN	APVD
		A		REV PER EC 0S12-0206-05	18APR2005	BC	GG
		A1		REV PER ECO-07-018424	04SEP2007	BC	GG
		A2		REVISED PER ECO-09-025699	11-DEC-2009	KK	AE6



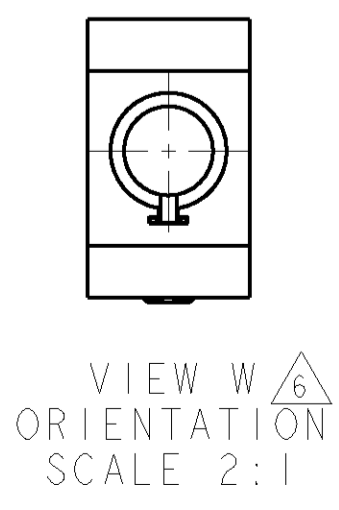
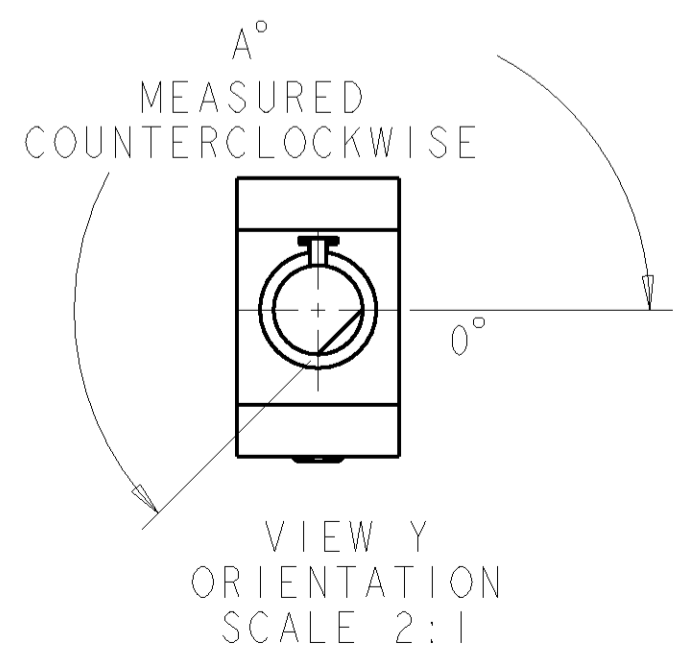
- ① MATERIAL:  
HOUSING: ZINC ALLOY DIE CASTING, ZAMAK 3
- ② FINISH:  
HOUSING: CHROMATE CONVERSION COATING
- ③ HOLE FOR POSITIVE RETENTION SCREW
- ④ DASH NUMBERS INDICATE KEY ORIENTATION  
(P/N 1410546-2 & 1-1410546-2 SHOWN ON DRAWING)
- ⑤ GROUND PAD Ø5mm ON BOTH SIDE OF PCB
- ⑥ GUIDE MODULE W/O KEYING FEATURE
- ⑦ FINISH:  
HOUSING: NICKEL OVER COPPER.
- ⑧ OBSOLETE PARTS: OBSOLETE CIS STREAMLINING PER  
D.RENAUD/D.SINISI



VIEW	ANGLE	REVISION	PART NUMBER
VIEW W	315°	⑦	1-1410546-9
VIEW Z	270°	⑦	1-1410546-8
VIEW Y	225°	⑦	1-1410546-7
VIEW Y	180°	⑦	1-1410546-6
VIEW Y	135°	⑦	1-1410546-5
VIEW Z	90°	⑦	1-1410546-4
VIEW Z	45°	⑦	1-1410546-3
VIEW Z	0°	⑦	1-1410546-2
VIEW Z	0°	⑦	1-1410546-1
VIEW W	315°	②	1410546-9
VIEW Z	270°	②	1410546-8
VIEW Y	225°	②	1410546-7
VIEW Y	180°	②	1410546-6
VIEW Y	135°	②	1410546-5
VIEW Z	90°	②	1410546-4
VIEW Z	45°	②	1410546-3
VIEW Z	0°	②	1410546-2
VIEW Z	0°	②	1410546-1
ORIENTATION	A°		PART NUMBER ④

SUPERCEDED BY 1-1410546-9  
 SUPERCEDED BY 1-1410546-7  
 SUPERCEDED BY 1-1410546-6  
 SUPERCEDED BY 1-1410546-3  
 SUPERCEDED BY 1-1410546-2  
 SUPERCEDED BY 1-1410546-1

DIM X	2.50	2.25
	TIER 1	TIER 2



THIS DRAWING IS A CONTROLLED DOCUMENT FOR TYCO ELECTRONICS CORPORATION. IT IS SUBJECT TO CHANGE AND THE CONTROLLING ENGINEERING ORGANIZATION SHOULD BE CONTACTED FOR THE LATEST REVISION.		DWN F. MORANA 20NOV2002	Tyco Electronics Harrisburg, PA 17105-3608	
DIMENSIONS: mm		CHK G. GRIFFITH 18APR2005	NAME MULTIGIG BACKPLANE CONNECTOR HOUSING, GUIDE MODULE, RIGHT ANGLE 20.3mm, DAUGHTERCARD	
TOLERANCES UNLESS OTHERWISE SPECIFIED: 0 PLC ± 1 PLC ±0.5 2 PLC ±.13 3 PLC ±.01 4 PLC ±0.0001 ANGLES ± FINISH		APVD G. GRIFFITH 18APR2005	SIZE A2	
MATERIAL ① -		PRODUCT SPEC 108-2116	DRAWING NO 114-13056	
		FINISH ② -	WEIGHT -	
		APPLICATION SPEC 114-13056		RESTRICTED TO -
		CUSTOMER DRAWING		SCALE 2:1 SHEET 1 OF 1 REV A2