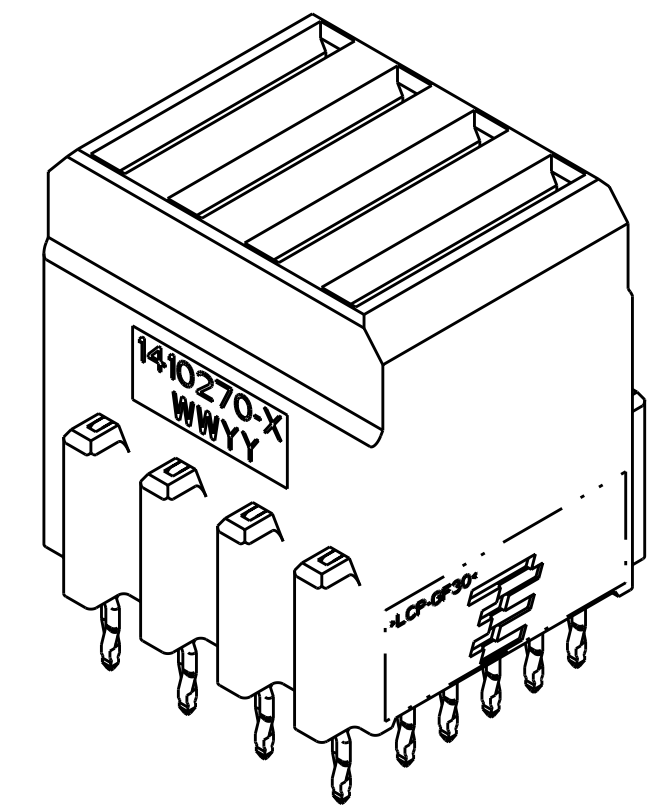
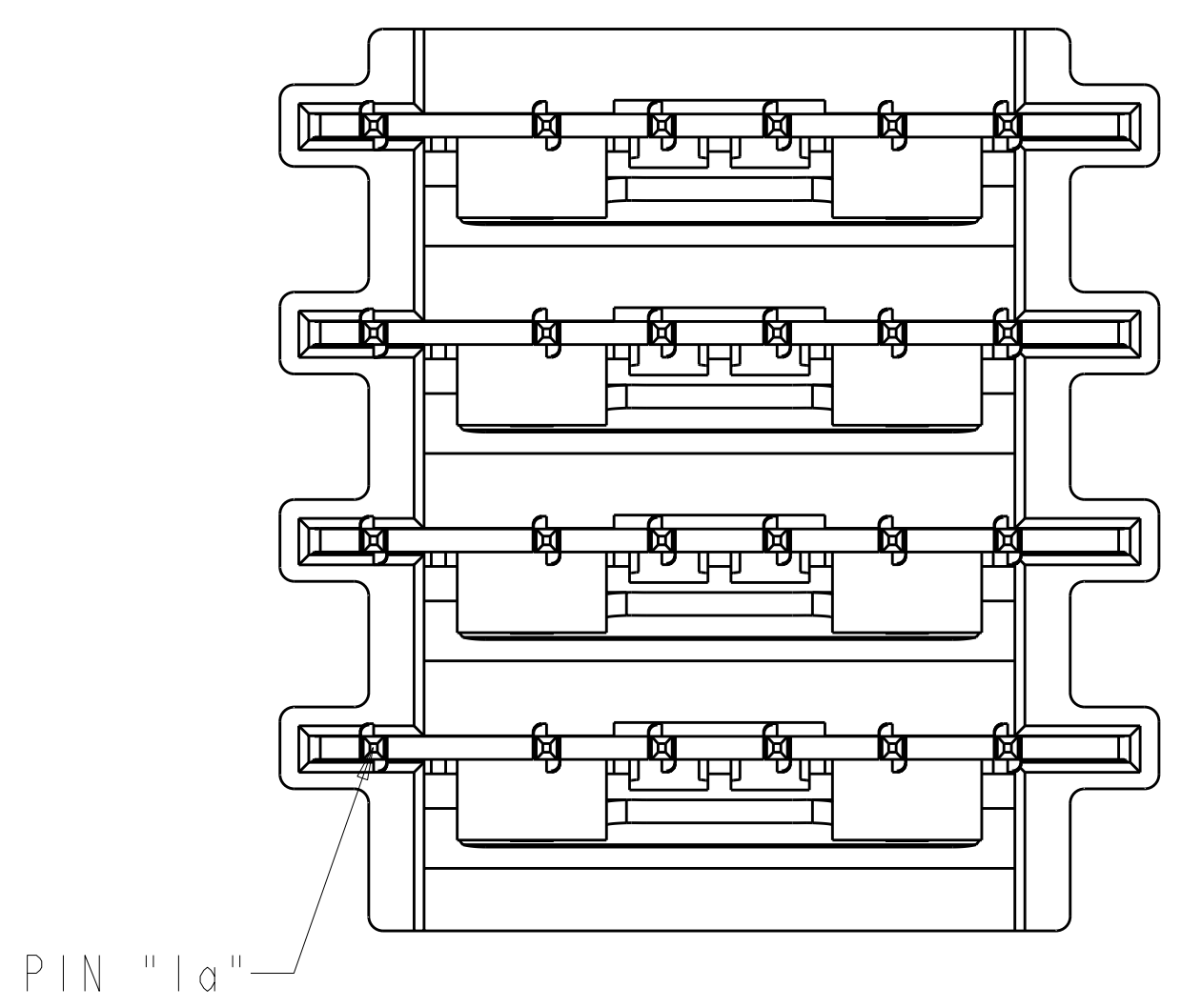
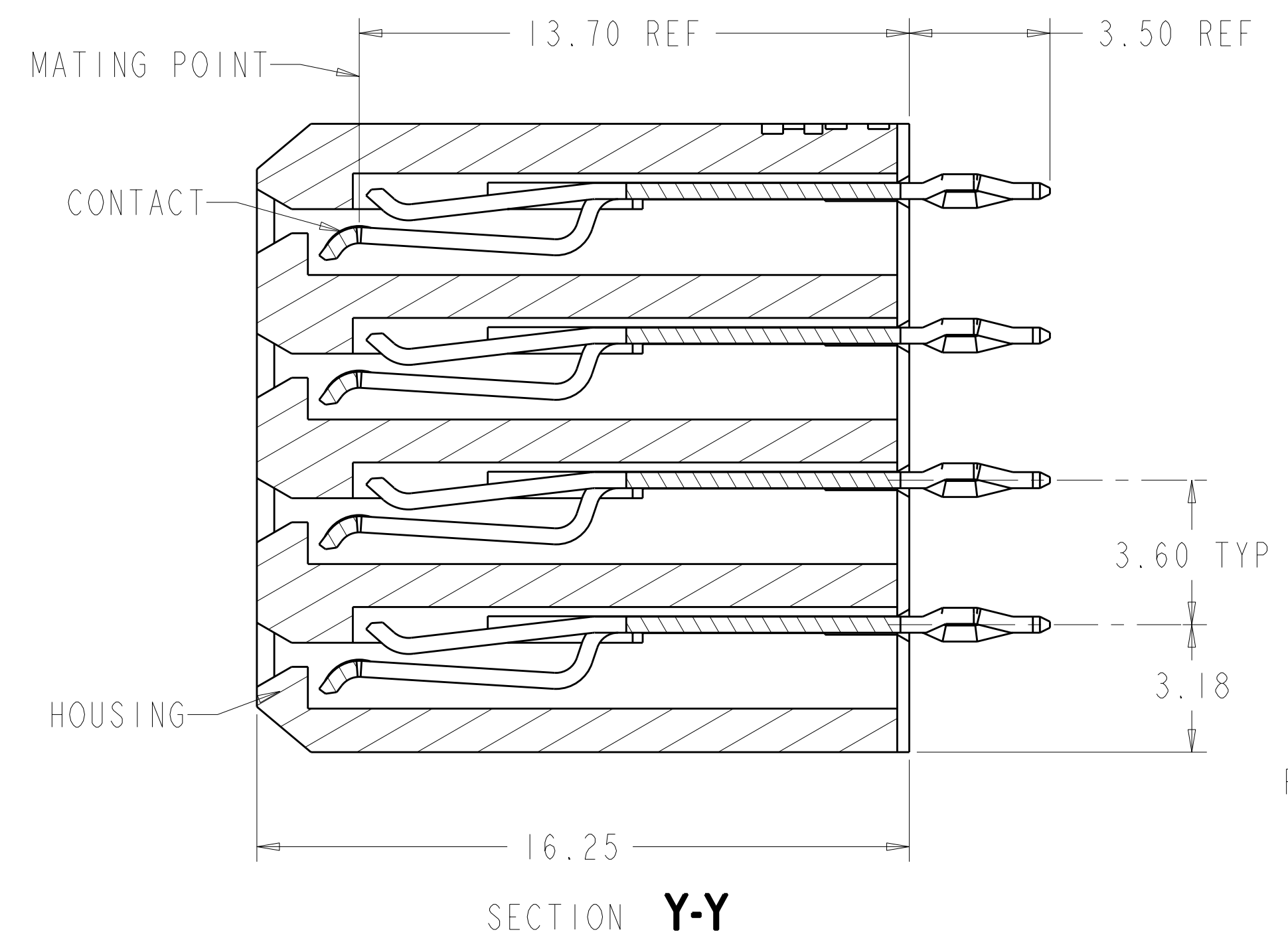
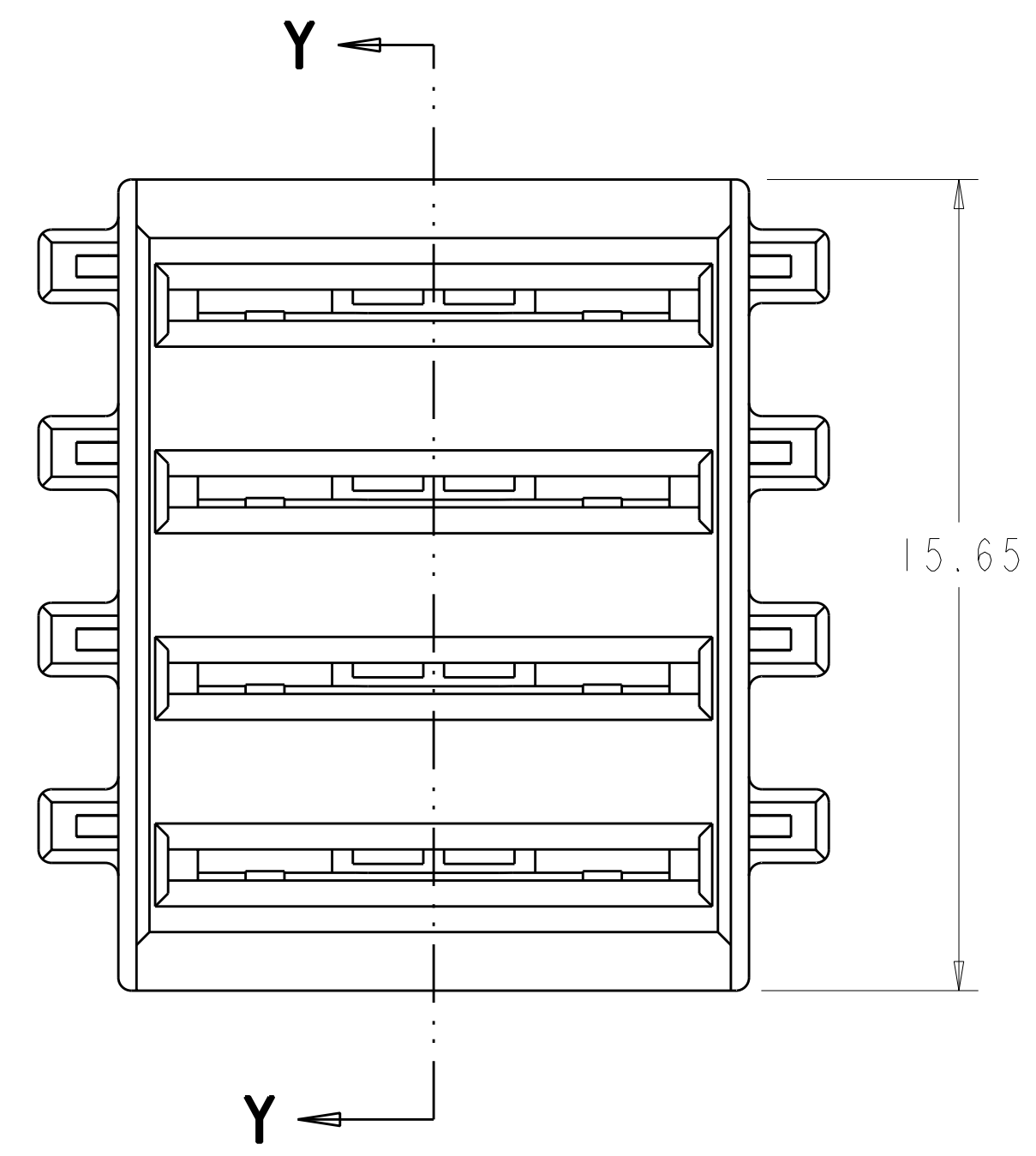
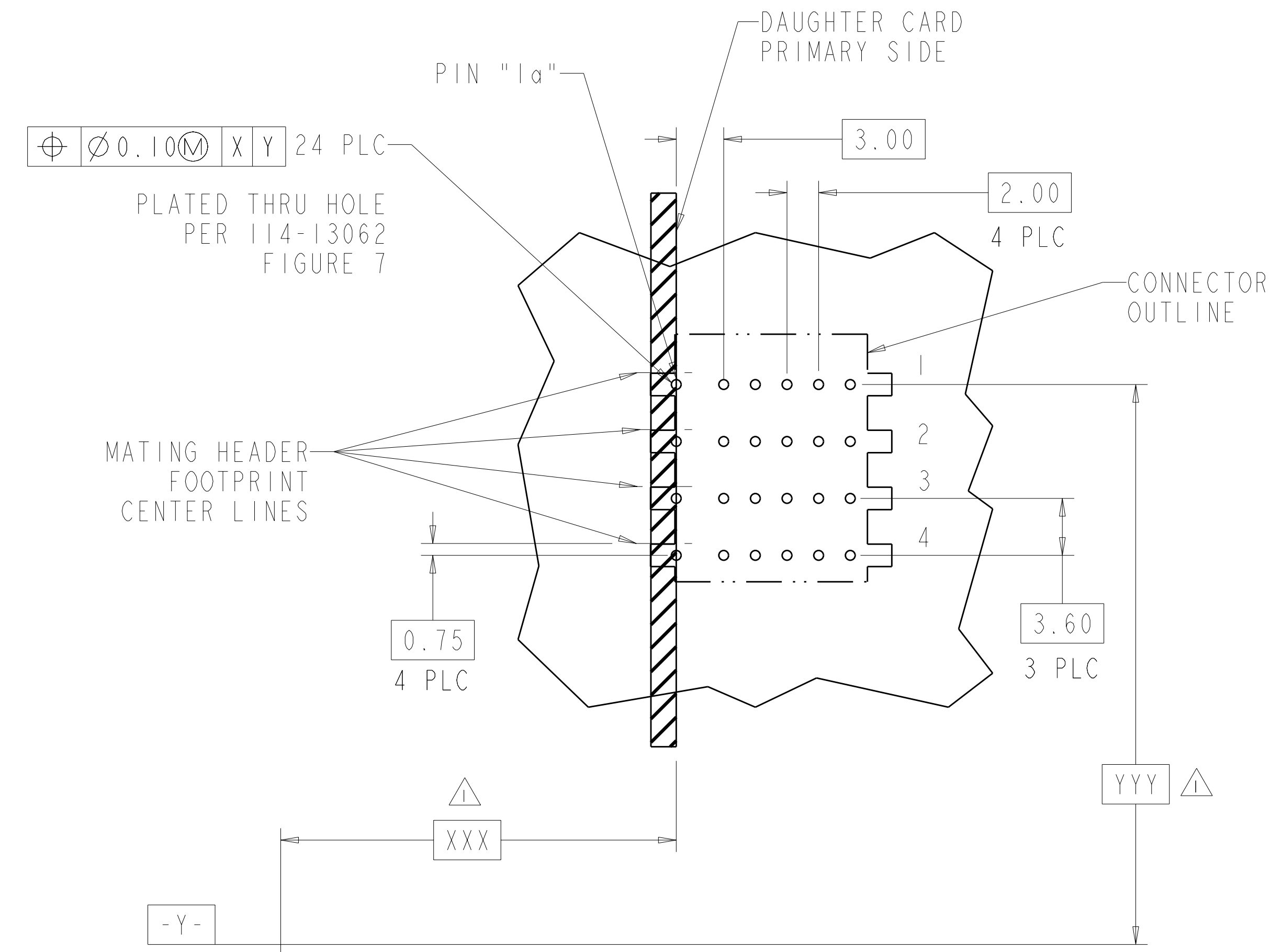
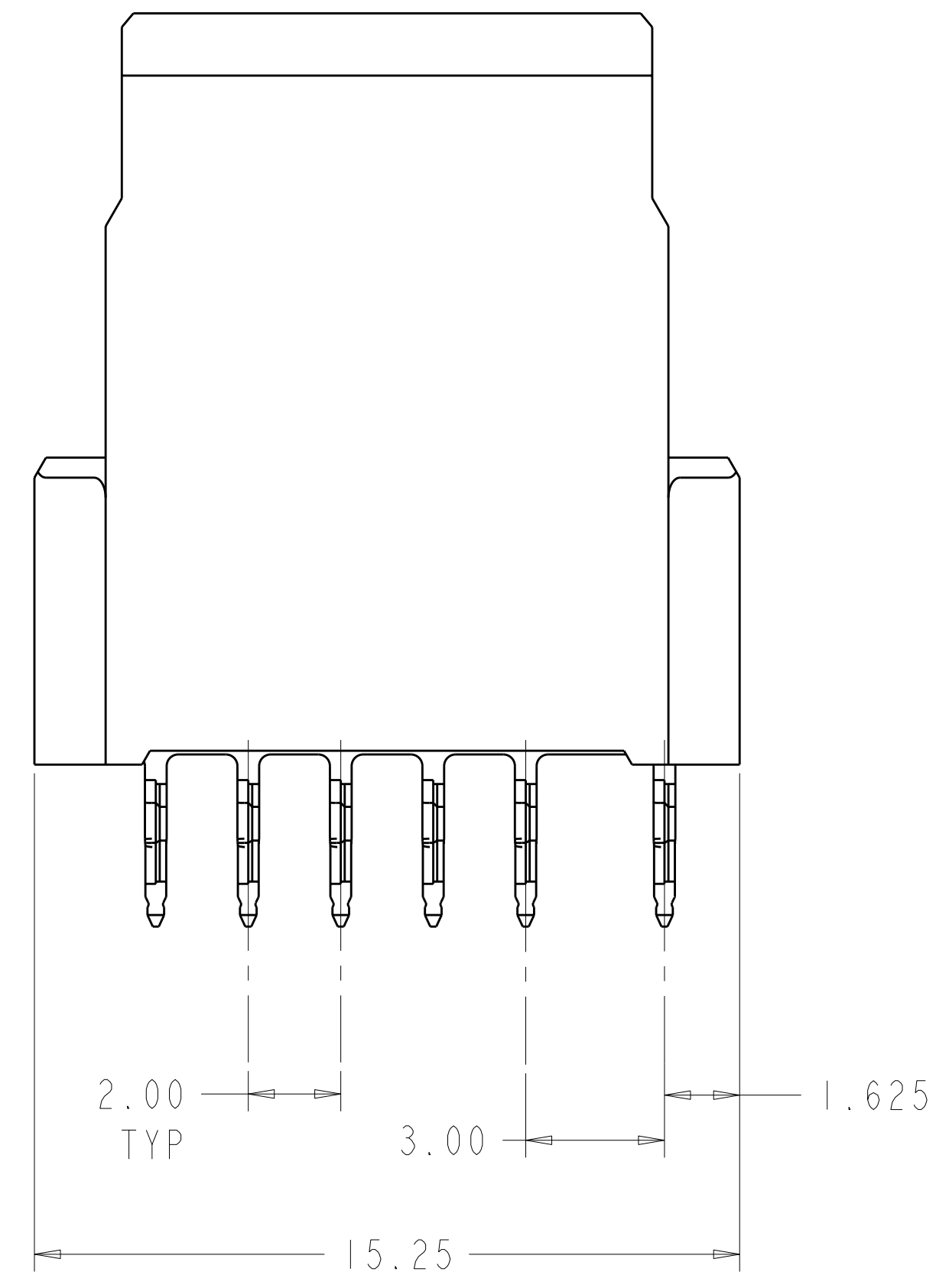


LOC	DIST	REV	DATE	BY	APPD
AD	00	A2	24APR2012	KH	AS



SCALE 4:1



RECOMMENDED PCB HOLE LAYOUT  
 BACKPLANE  
 PRIMARY SIDE  
 SCALE 4:1

- △ DIMENSIONS PER CUSTOMER BOARD LAYOUT
- △ FINISH: 1.27μm MIN GOLD IN CONTACT AREA, 1.27μm MIN TIN-LEAD ON PCB TAIL, OVER 1.27μm MIN NICKEL OVER ALL.
- △ FINISH: 1.27μm MIN GOLD IN CONTACT AREA, 1.27μm MIN TIN ON PCB TAIL, OVER 1.27μm MIN NICKEL OVER ALL.
- 4. HOUSING: LCP, UL94V-0, BLACK  
 CONTACT: PHOSPHOR BRONZE

△	1410270-2
△	1410270-1
PLATING	PART NUMBER

THIS DRAWING IS A CONTROLLED DOCUMENT.		DWN	L. A. MAYER	09SEP2000
DIMENSIONS:		CHK	S. WELLER	09SEP2000
mm	9 PLC ±0.3	APPD	S. FLICKINGER	09SEP2000
	1 PLC ±0.3	PRODUCT SPEC		
	3 PLC ±0.25	APPLICATION SPEC		
	5 PLC ±0.25	SIZE		
	4 PLC ±0.25	CAGE CODE		
	ANGLES ±1°	DRAWING NO		
MATERIAL	FINISH	RESTRICTED TO		
△	△	A1 00779 C=1410270		
CUSTOMER DRAWING		SCALE 8:1 SHEET 1 OF 1 REV A2		