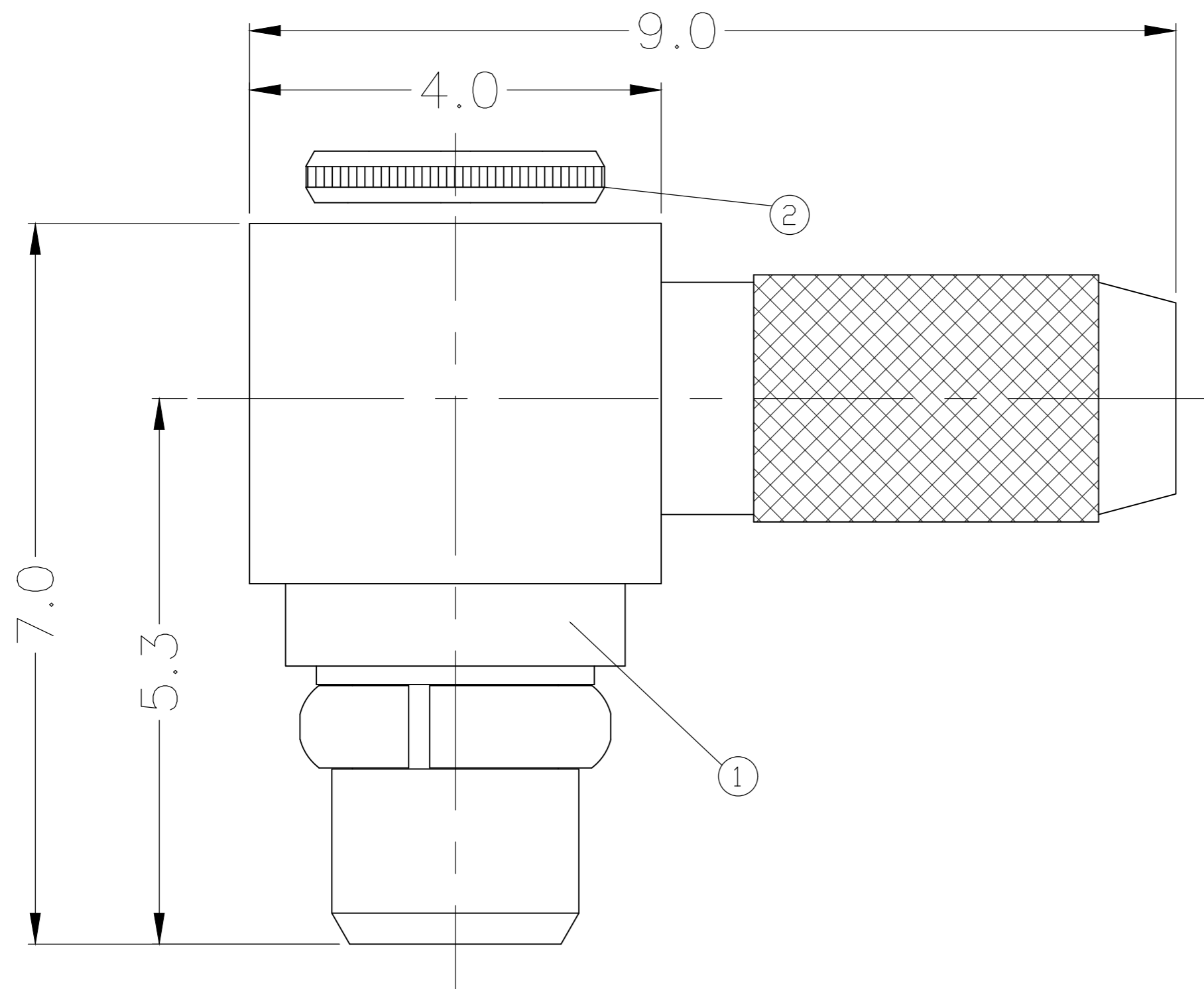
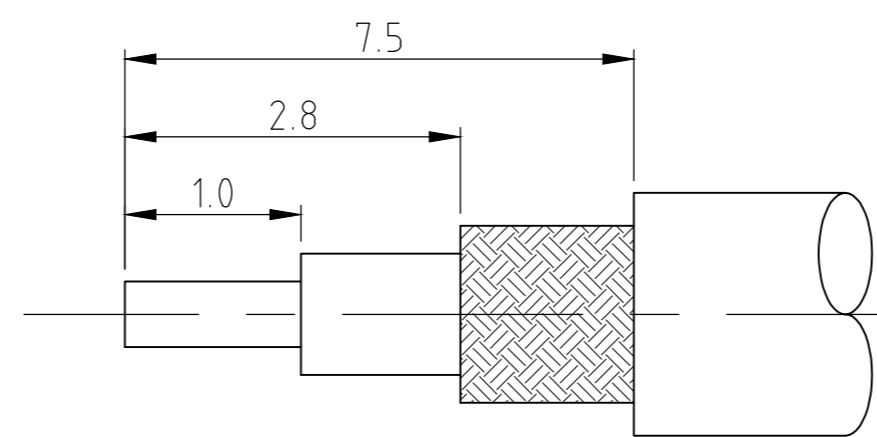


THIS DRAWING IS UNPUBLISHED. RELEASED FOR PUBLICATION  
 © COPYRIGHT - By - ALL RIGHTS RESERVED.

REVISIONS					
P	LTR	DESCRIPTION	DATE	DWN	APVD
F2		ECO-18-017129	30OCT2018	RZ	RS



1. ITEMS 1, 2, 3, AND 4 PACKAGED UNASSEMBLED
- ② CRIMP REQUIREMENTS: FERRULE 2.67 [.105] HEX
- ③ CRIMP REQUIREMENTS: FERRULE 3.25 [.128] HEX
- ④ CRIMP REQUIREMENTS: FERRULE 3.86 [.152] HEX
5. ITEM 4 NOT SHOWN



RECOMMENDED CABLE STRIP LENGTH (NTS)

ELECTRICAL	MECHANICAL	ENVIRONMENTAL
Impedance (Ohm) <u>50</u>	Interface Dimension CECC 22 000	TEMPERATURE RANGE <u>-55 TO + 125</u>
Frequency Range (GHz) <u>DC to 6GHz</u>	Force to Engage and Disengage (N) Engage: <u>18 MAXI</u> Disengage: <u>6 MINI</u>	THERMAL SHOCK <u>MIL-STD-202, METHOD107, B</u>
Voltage Rating (Peak) @ Sea Level <u>170 V RMS</u>	Center Contact Captivation Axial (N) <u>6.0</u> Radial (In/Oz) <u>N/A</u>	CORROSION <u>MIL-STD-202, METHOD101, B</u>
Insulation Resistance (MIN.) <u>1000 M ohms</u>	Cable Retention Axial (Lbs) <u>N/A</u>	VIBRATION <u>MIL-STD-202, METHOD204, B</u>
Contact Resistance (Milliohms MAX) Center Contact <u>5.0</u> Outer Contact <u>2.5</u>	Mating cycles <u>500 cycles</u>	MOISTURE RESISTANCE <u>MIL-STD-202, METHOD106</u>
Dielectric Withstand Voltage: <u>500 V RMS Max</u>		ROHS <u>COMPLIANT</u>
Insertion Loss : <u>N/A dB</u>		
VSWR: <u>1.35 MAXI (GHz)</u>		
RF leakage: <u>N/A</u>		
3rd Intermodulation: <u>N/A</u>		

OMNIFLEX 200 ②	1405671-2	8-1403102-5	1408146-2	1408147-2	1408149-4
RD-316 ④	---	3-413889-2	1408146-2	1408147-1	1408149-3
RG-316 ③	---	3-413889-1	1408146-2	1408147-1	1408149-2
RG-178 RG-196 ②	---	3-413889-3	1408146-2	1408147-2	1408149-1
CABLE CRIMP INFO	④ SHRINK TUBING	③ FERRULE	② CAP	① HOUSING ASSY	PART NUMBER
THIS DRAWING IS A CONTROLLED DOCUMENT.		DWN 19NOV2001 RMF	TE Connectivity Ltd.		
DIMENSIONS: mm		CHK 22OCT00 RMF	NAME		
TOLERANCES UNLESS OTHERWISE SPECIFIED:		APVD 22OCT00 RMF	PRODUCT SPEC		
0 PLC ± -		108-2084			
1 PLC ± 0.26 (.010)		APPLICATION SPEC			
2 PLC ± 0.13 (.005)		408-8627			
3 PLC ± -		WEIGHT 0.000000			
4 PLC ± -		SIZE A2 CAGE CODE 00779 DRAWING NO C=1408149			
ANGLES ± 1°		SCALE 20:1 SHEET 1 of 1 REV F2			
MATERIAL		CUSTOMER DRAWING			
FINISH					