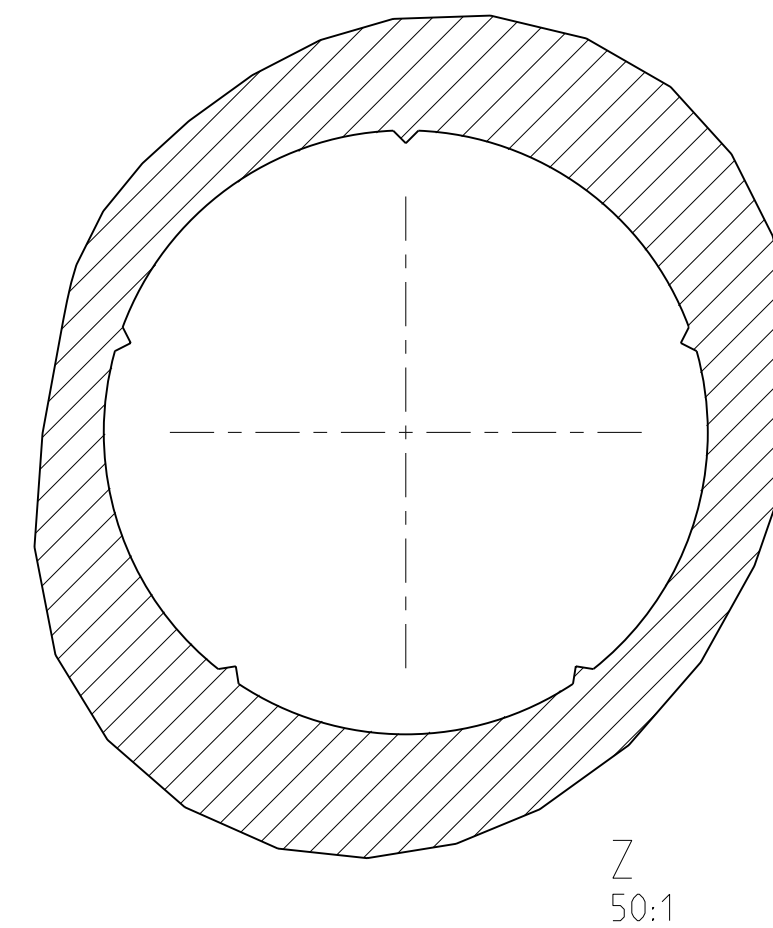
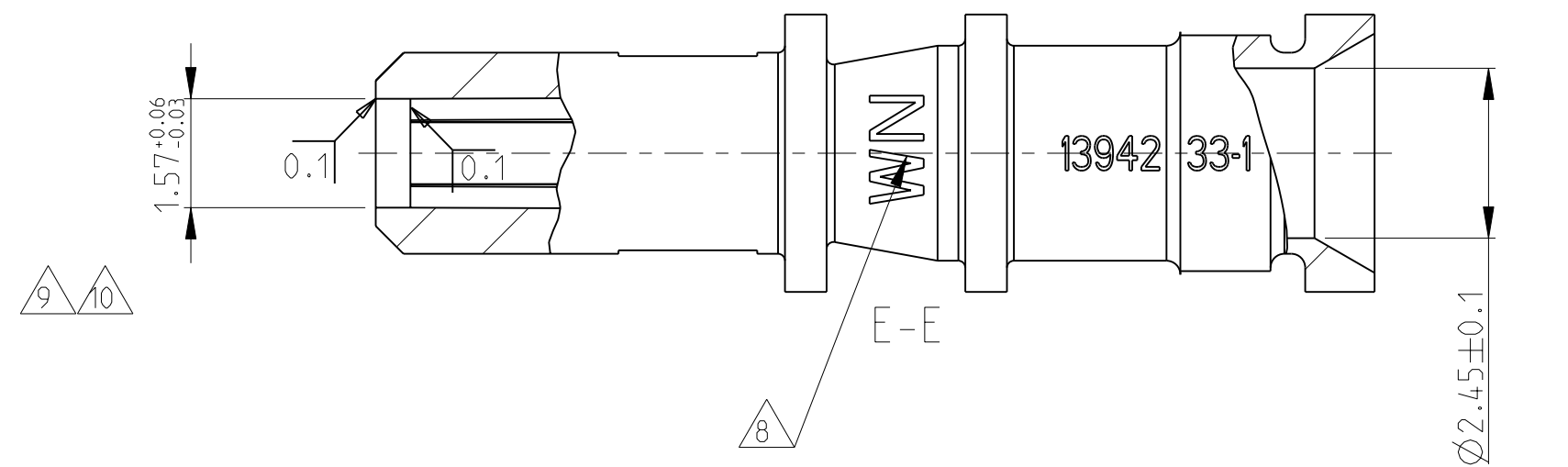
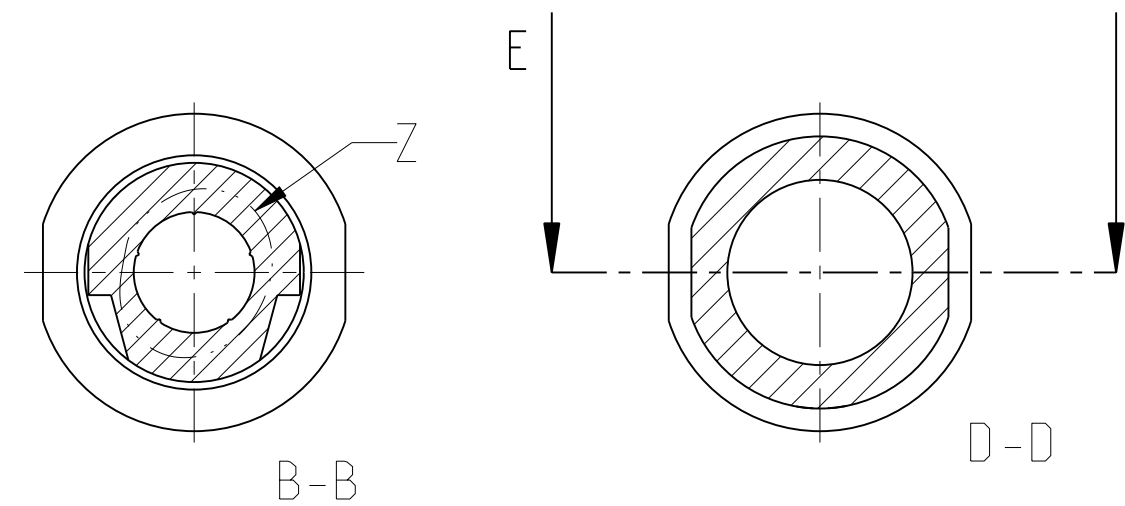
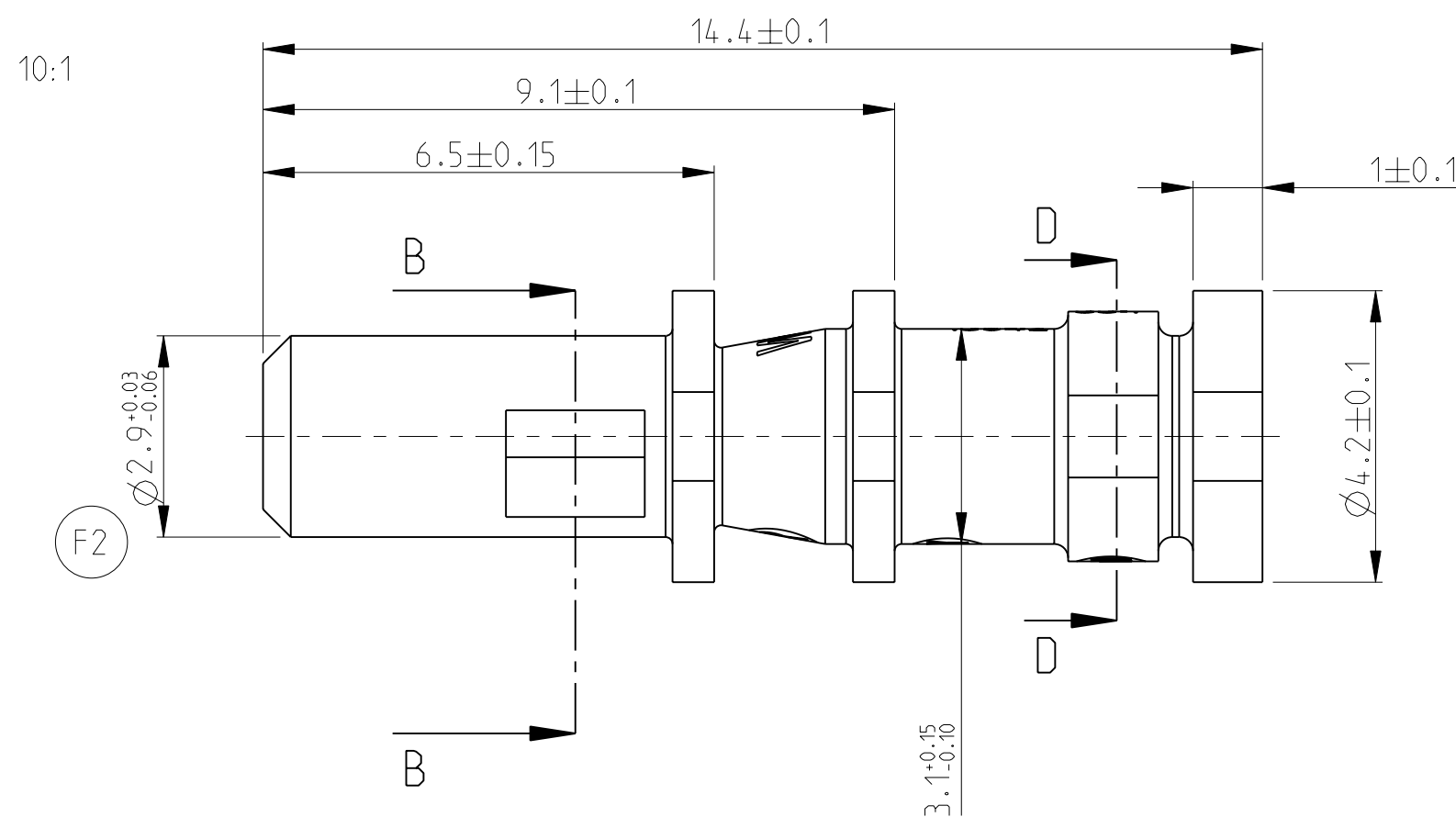
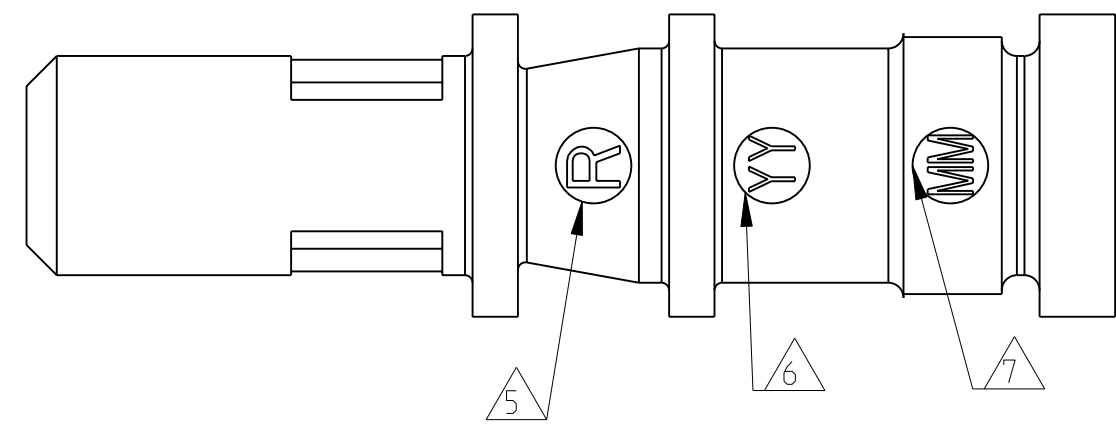
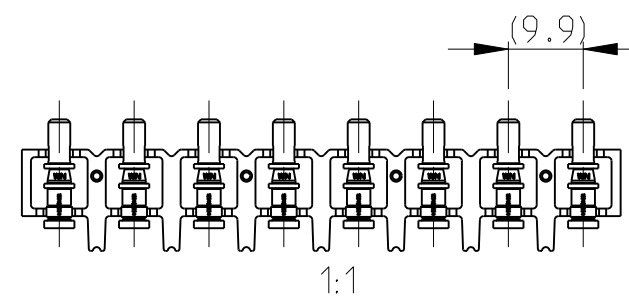
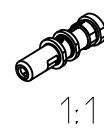


LOC	DIST	REVISIONS					
A1	-	P	LTR	DESCRIPTION	DATE	DWN	APVD
		F		E-11-013937 (canceled)	21JUL2011	RW	FH
		F1		E-11-016395	08AUG2011	RW	FH
		F2		E-11-017499	23AUG2011	RW	FH



- 1 suitable for POF according to te-spec 108-18673
passend fuer POF nach te-spec 108-18673
- 2 Packaging: on Reel
Verpackung: am Band
- 3 part volume of single contact=0.068 cm³
Teilevolumen Einzelkontakt=0.068 cm³
- 4 part weight of single contact=0.09 g
Teilegewicht Einzelkontakt=0.09 g
- 5 revision mark
Revisionskennzeichnung
- 6 date code: production year
Datumskennzeichnung: Produktionsjahr
- 7 date code: production month
Datumskennzeichnung: Produktionsmonat
- 8 cavity mark
Nestkennzeichnung
- 9 burr has to be added to diameter
Grat kommt zum Durchmesser hinzu
- 10 max. thickness of burr: 0.03mm
Max. Dicke der Spritzhaut: 0.03mm



0-1394233-1	F	-	-
TE PART NO. STRIP FORM	REV.	TE PART NO. LOOSE PIECE	REV.

THIS DRAWING IS A CONTROLLED DOCUMENT.		DWN T. Krah 22 JUN 2004	TE Connectivity	
DIMENSIONS: mm		CHK J. Hahn 22 JUN 2004	NAME fiber optic contact, male (Stiftkontakt)	
TOLERANCES UNLESS OTHERWISE SPECIFIED:		APVD -	SIZE A2	
0 PLC	±	PRODUCT SPEC 108-18698	CAGE CODE 00779	DRAWING NO 1394233
1 PLC	±	APPLICATION SPEC 114-18322	RESTRICTED TO -	
2 PLC	±	WEIGHT 0.08g	SCALE 10:1	
3 PLC	±	CUSTOMER DRAWING	SHEET 1 OF 1	
4 PLC	±		REV F2	
ANGLES	±°			
FINISH				
MATERIAL PA12-GB30				