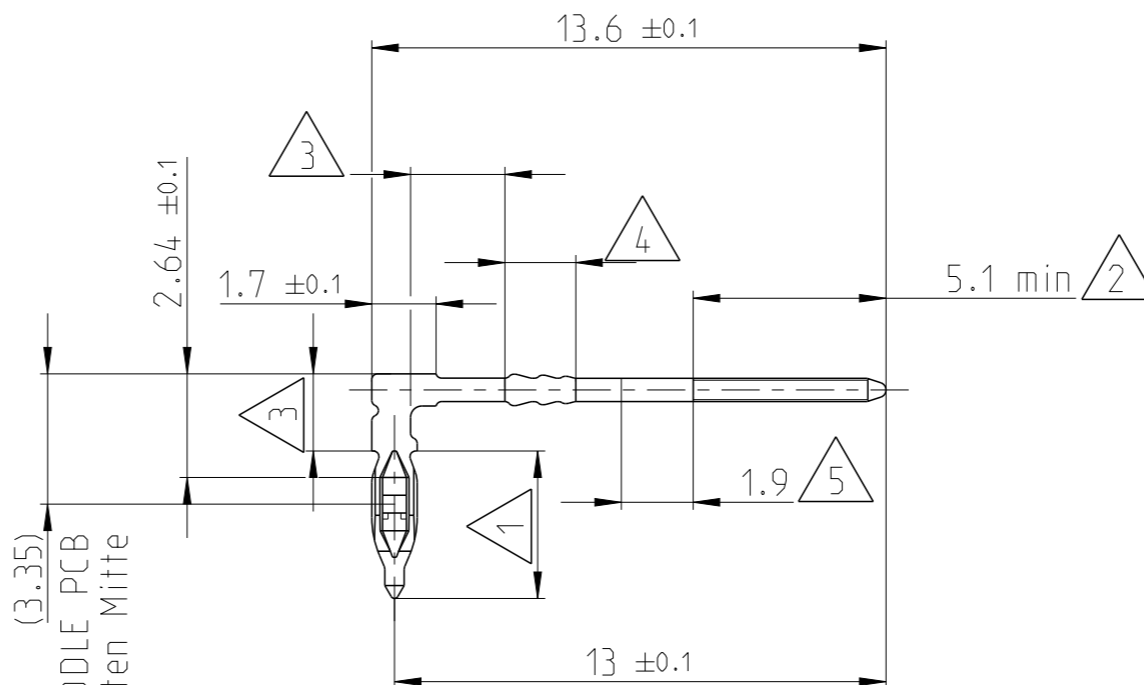
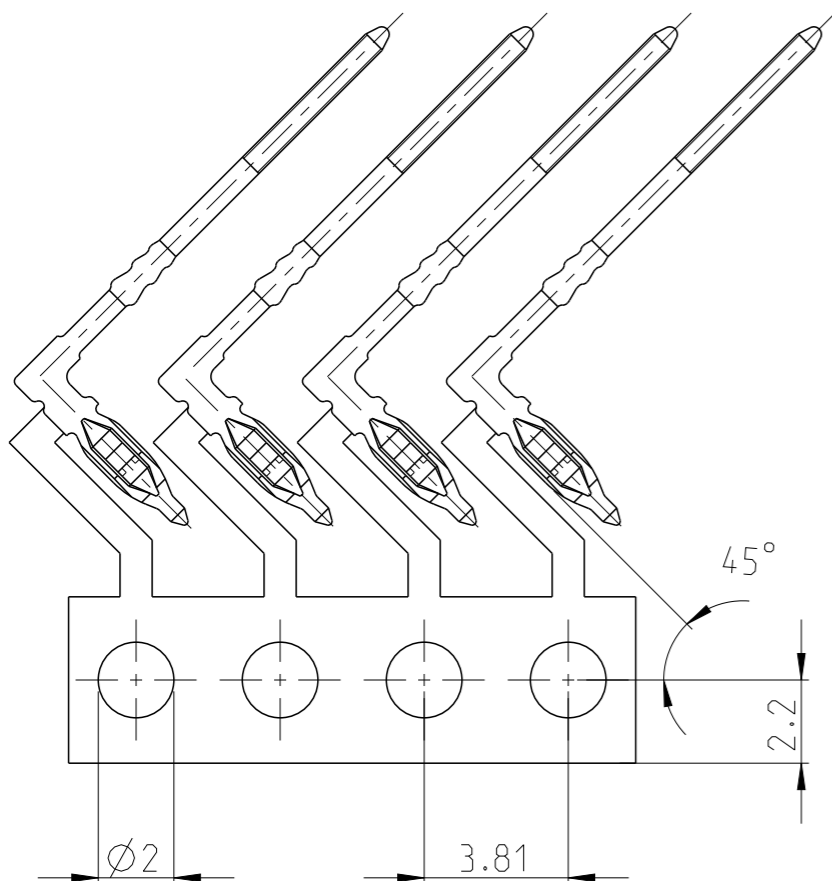


P	LTR	DESCRIPTION	DATE	DWN	APVD
	A	NEW DRAWING	19OCT2015	DKA	DD
	A1	Dim. (3.35) added	09APR2019	RM	HB

DIMENSIONS SINGLE CONTACT
Masse Einzelkontakt

AS SHOWN 0-1393355-2
ON REEL



(3.35)
MIDDLE PCB
Leiterplatten Mitte
A1

- 1 Anschlussbereich / PRESS FIT AREA:
Oberflaeche / SURFACE 0.4 - 1.5 µm Sn ueber/OVER 0.8-1.3 µm Ni
- 2 Kontaktbereich / MATING SIDE:
Oberflaeche / SURFACE 4±1 µm Sn ueber/OVER 2±1µm Ni
- 3 Uebergangsbereich / TRANSITION AREA:
>0.4 µm Sn ueber/OVER >0.8 µm Ni
- 4 Auslaufzone / DISCHARGE ZONE:
0.4-1.0 µm Sn
- 5 Uebergangsbereich Kontaktzone / TRANSITION AREA:
<4 µm Sn ueber/OVER <3µm Ni

Material: CuSn6 R560

THIS DRAWING IS A CONTROLLED DOCUMENT.		DWN D.Kasper 16OCT2015	TE Connectivity														
DIMENSIONS: mm		CHK D.Duenkel 19OCT2015															
TOLERANCES UNLESS OTHERWISE SPECIFIED:		APVD -	NAME KONTAKTSTIFT / CONTACT PIN MULTISPRING 90														
<table border="0"> <tr> <td>0 PLC</td><td>±</td></tr> <tr> <td>1 PLC</td><td>±</td></tr> <tr> <td>2 PLC</td><td>±</td></tr> <tr> <td>3 PLC</td><td>±</td></tr> <tr> <td>4 PLC</td><td>±</td></tr> <tr> <td>ANGLES</td><td>±2°</td></tr> </table>		0 PLC	±	1 PLC	±	2 PLC	±	3 PLC	±	4 PLC	±	ANGLES	±2°	PRODUCT SPEC -	SIZE A3		
0 PLC	±																
1 PLC	±																
2 PLC	±																
3 PLC	±																
4 PLC	±																
ANGLES	±2°																
MATERIAL -		APPLICATION SPEC -	CAGE CODE 00779	DRAWING NO 0-1393355-2	RESTRICTED TO -												
FINISH -		WEIGHT -	SCALE 5:1														
		Customer Drawing		SHEET 1 OF 1	REV A1												