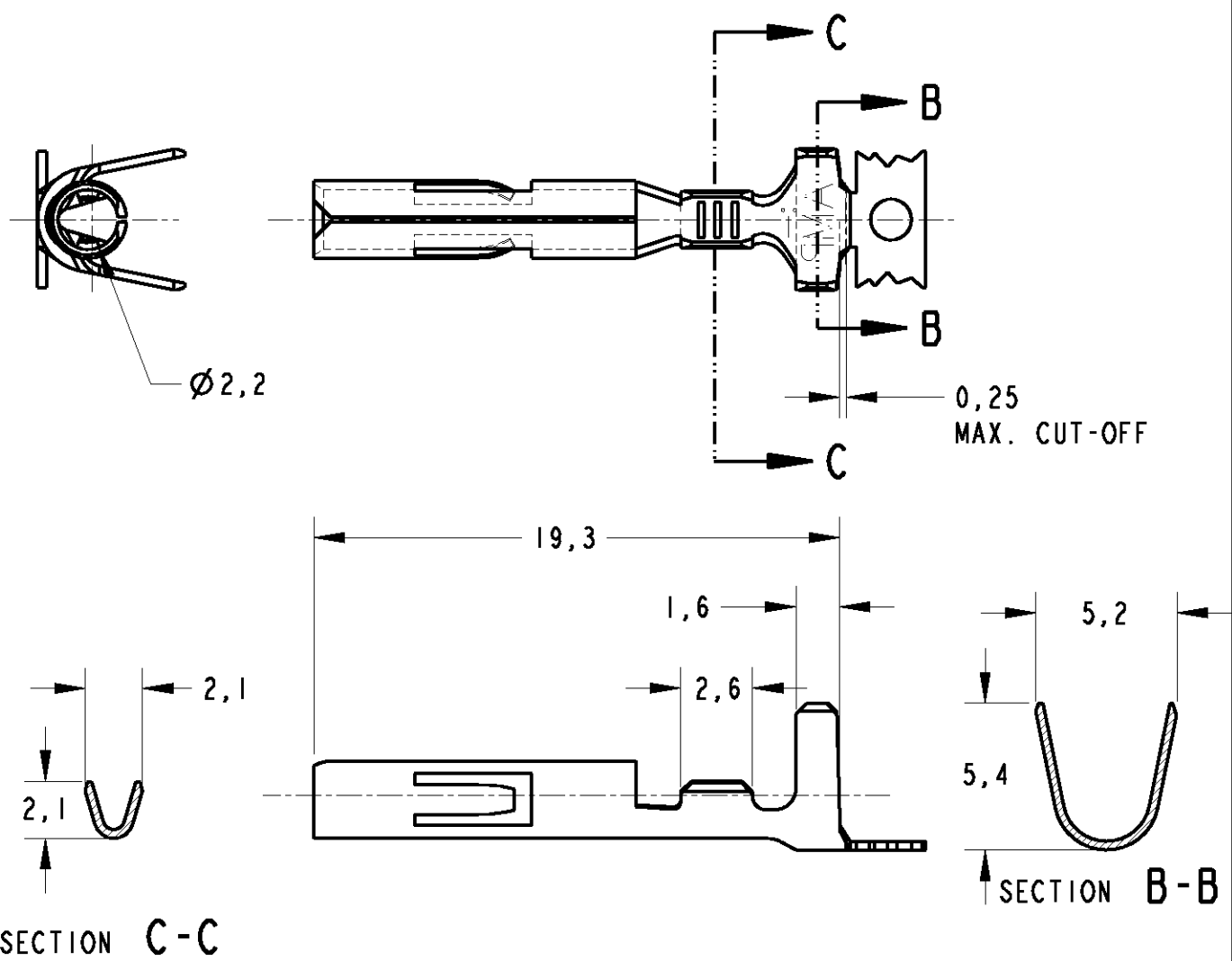


LOC	DIST	REVISIONS					
AP	-	P	LTR	DESCRIPTION	DATE	DWN	APVD
			O	WAS 2000-LB00-0107-01	14JUL00	H.C	WLS
			A	REVISED BY EC LB00-0193-02	16JUL2002	H.C	WLS
			B	Revised By ECR-05-011724	04-oct-05	H.C	WLS

1-FORÇA DE RETENÇÃO DO CONTATO DEVE SER DE 50N QUANDO TESTADO COM O GAGE 92-339025-033. B
CONTACT RETENTION FORCE MUST BE 50N WHEN TESTED WITH THE GAGE 92-339025-033



19 RELEASED FOR PUBLICATION

THIS DRAWING IS UNPUBLISHED.

BY TYCO ELECTRONICS CORPORATION. ALL RIGHTS RESERVED. COPYRIGHT 19

WIRE RANGE 0,2/0,5mm ²	INS. RANGE Ø3,5mm	NÚ/NONE	LATÃO/BRASS	1380047-1
		FINISH	MATERIAL	PART NUMBER

DIMENSIONS: mm	DWN H.C. CANTERI	14JUL00	MATERIAL	FINISH
	CHK W.L. STEFANI	14JUL00	AMP AMP do Brasil LTDA. São Paulo, Brasil	
TOLERANCES UNLESS OTHERWISE SPECIFIED:	APVD	-		
	0 PLC ±-	PRODUCT SPEC	-	
1 PLC ±0,3	APPLICATION SPEC	-		
2 PLC ±0,2	WEIGHT	-		
3 PLC ±-		SIZE	CAGE CODE	DRAWING NO
4 PLC ±-		A 4	00779	©-1380047
ANGLES ±-		RESTRICTED TO		
		-		
	CUSTOMER DRAWING		SCALE	SHEET
			5/1	1 OF 1
				REV B