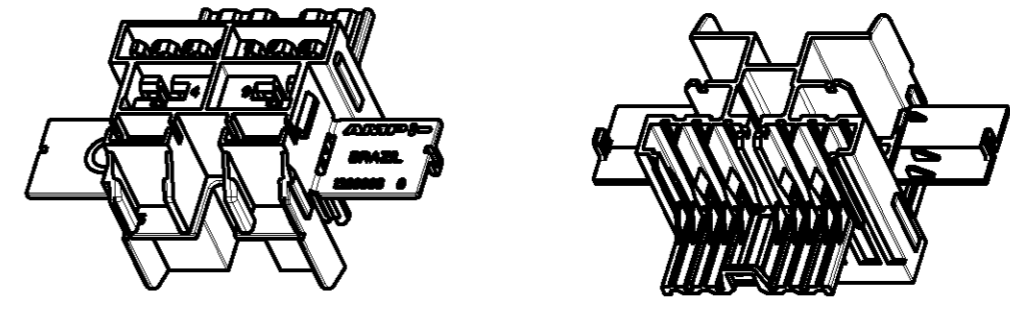
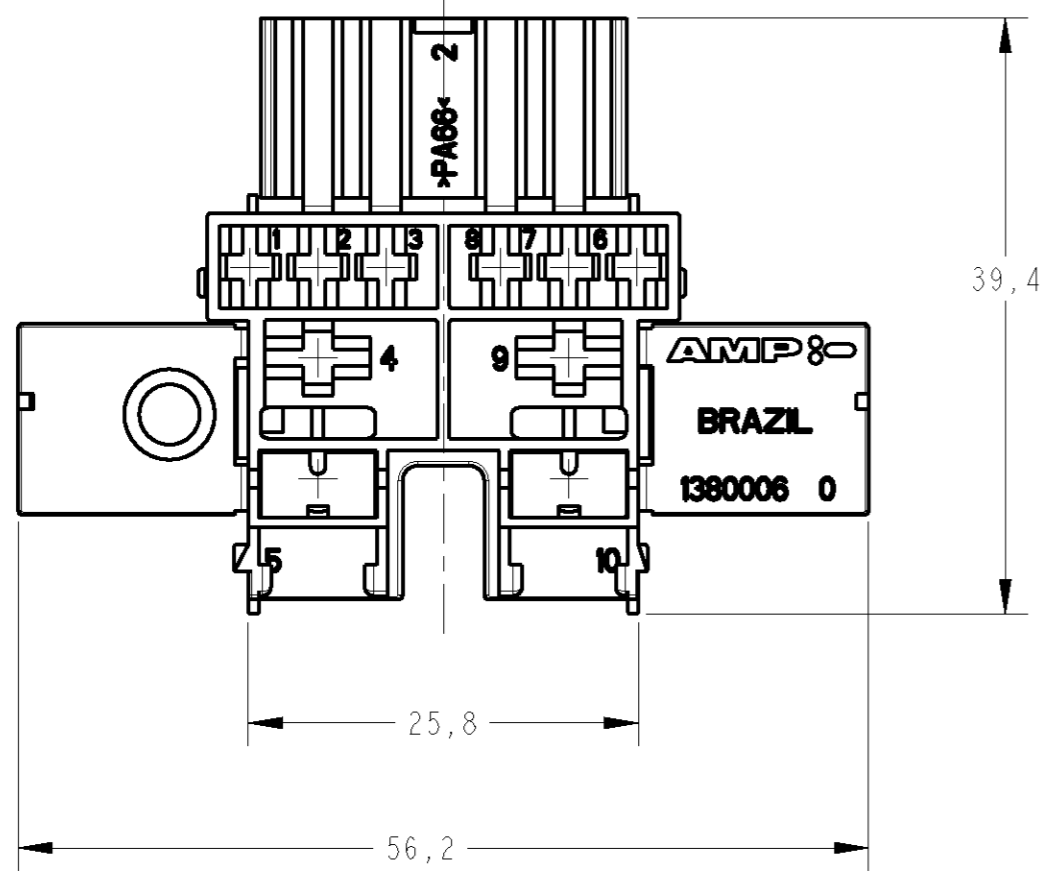


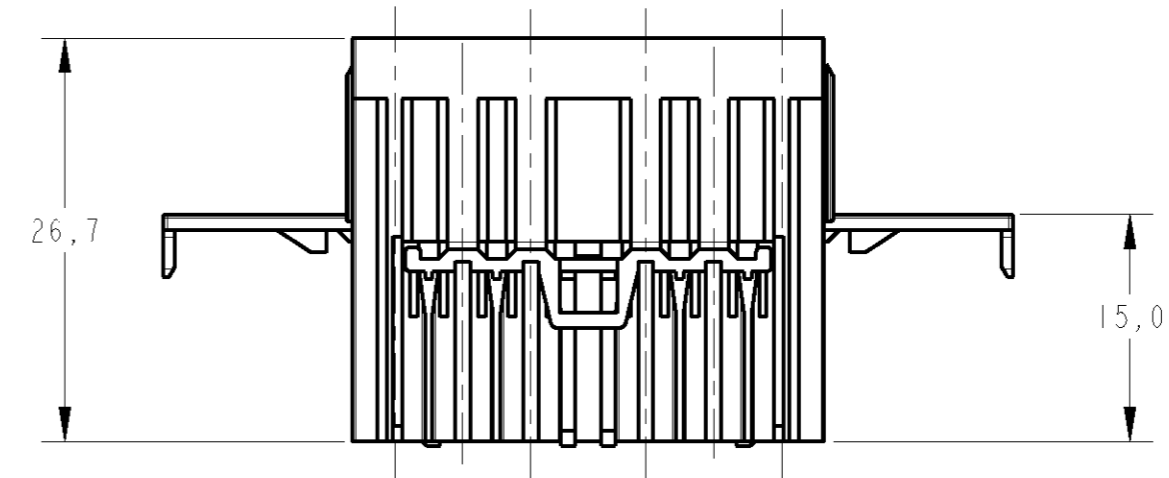
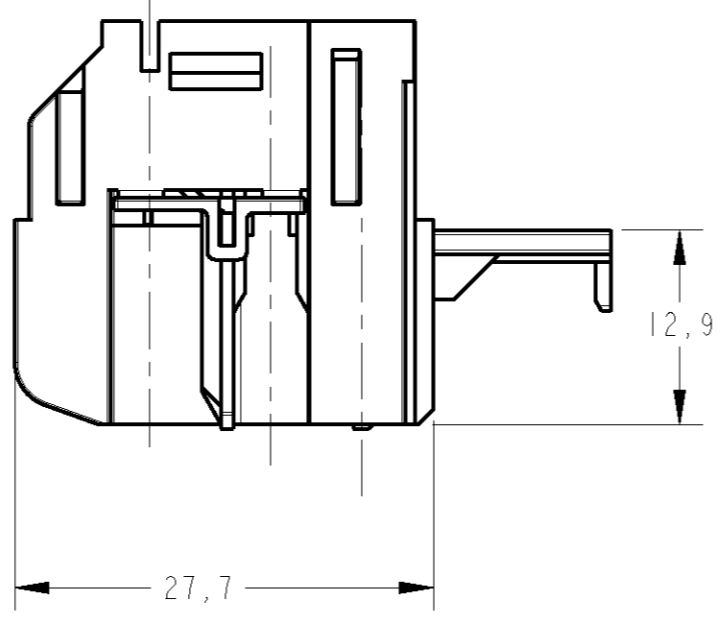
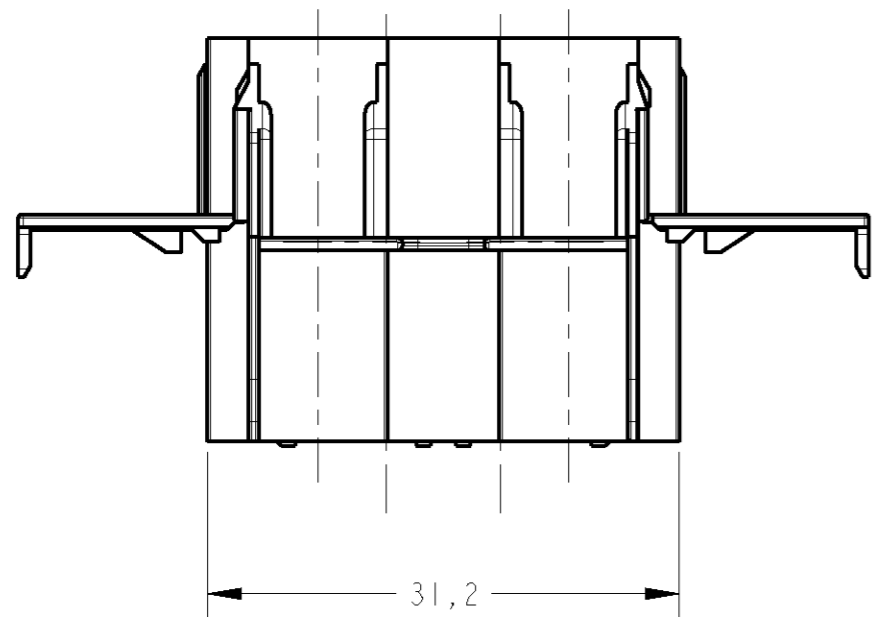
THIS DRAWING IS UNPUBLISHED. RELEASED FOR PUBLICATION 20
 © COPYRIGHT 20 BY TYCO ELECTRONICS CORPORATION. ALL RIGHTS RESERVED.

LOC	DIST	REVISIONS			
P	LTR	DESCRIPTION	DATE	DWN	APVD
AP	-	F	RELEASED	03SEP2007	RKTL DAO

CAD
DO NOT REVISE
EXCEPT BY CAD

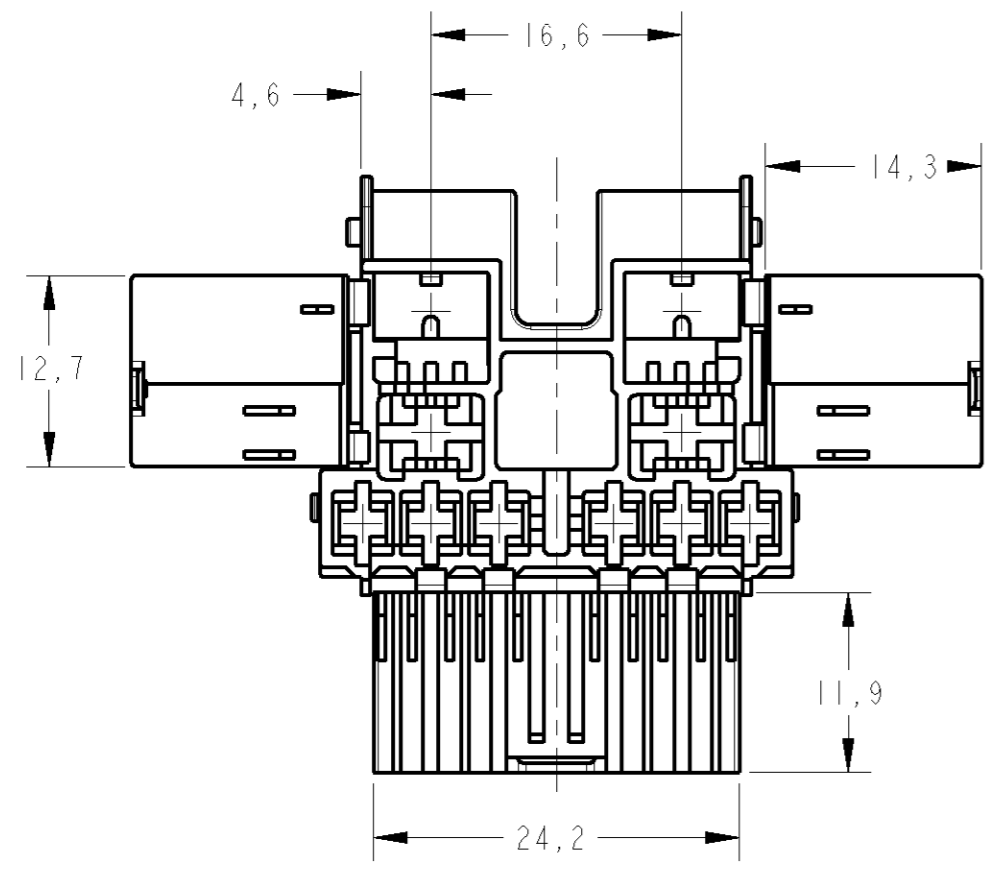


PERSPECTIVE VIEWS
 SCALE 1:1



GRAVAÇÃO
LOGOTIPO TE
TE LOGO
CÓDIGO PAÍS PRODUTOR
MANUFACTURER COUNTRY CODE
NOMENCLATURA MATERIAL
MATERIAL NOMENCLATURE
NÚMERO COMPONENTE TE
TE COMPONENT NUMBER
NÚMERO CAVIDADE
CAVITY NUMBER
IDENTIFICAÇÃO CIRCUITO
CIRCUIT IDENTIFICATION
PAÍS PRODUTOR
MANUFACTURER COUNTRY
LETRA REV.DA PEÇA
PART REV.LETTER

△ - VER DESENHO DE CLIENTE RESTRITO FORD △ SEE FORD RESTRICTED CUSTOMER DRAWING



PRETO/BLACK		P.A.66	1380006-2
FINISH		MATERIAL	PART NUMBER
13MAY00		TYCO ELECTRONICS do Brasil LTDA.	
H.LIVERARO		São Paulo, Brasil	
19DEC00		NAME	
P.L.FARIA		HOUSING, 10POSN.,	
19DEC00		JR POWER TIMER, STD POWER TIMER	
J.A.MARSON		POSITIVE LOCK	
PRODUCT SPEC		SIZE	CAGE CODE
NA		A2	00779
APPLICATION SPEC		DRAWING NO	RESTRICTED TO
NA		C-1380006	-
WEIGHT		SCALE	SHEET OF REV
-		1:1	F

DIMENSIONS:		TOLERANCES UNLESS OTHERWISE SPECIFIED:	
mm		0 PLC	±
		1 PLC	±0,3
		2 PLC	±
		3 PLC	±
		4 PLC	±
		ANGLES	±
		FINISH	SEE TABLE