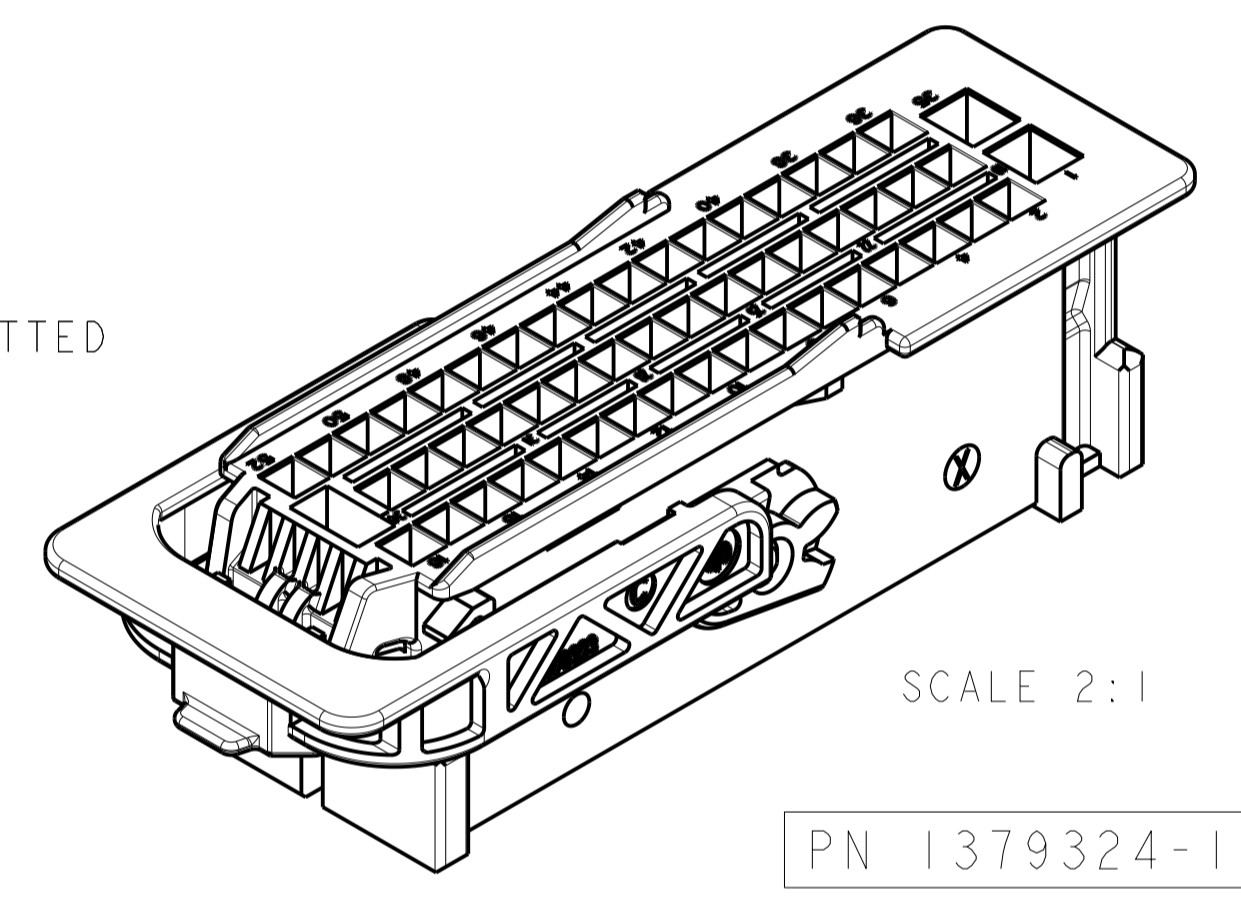
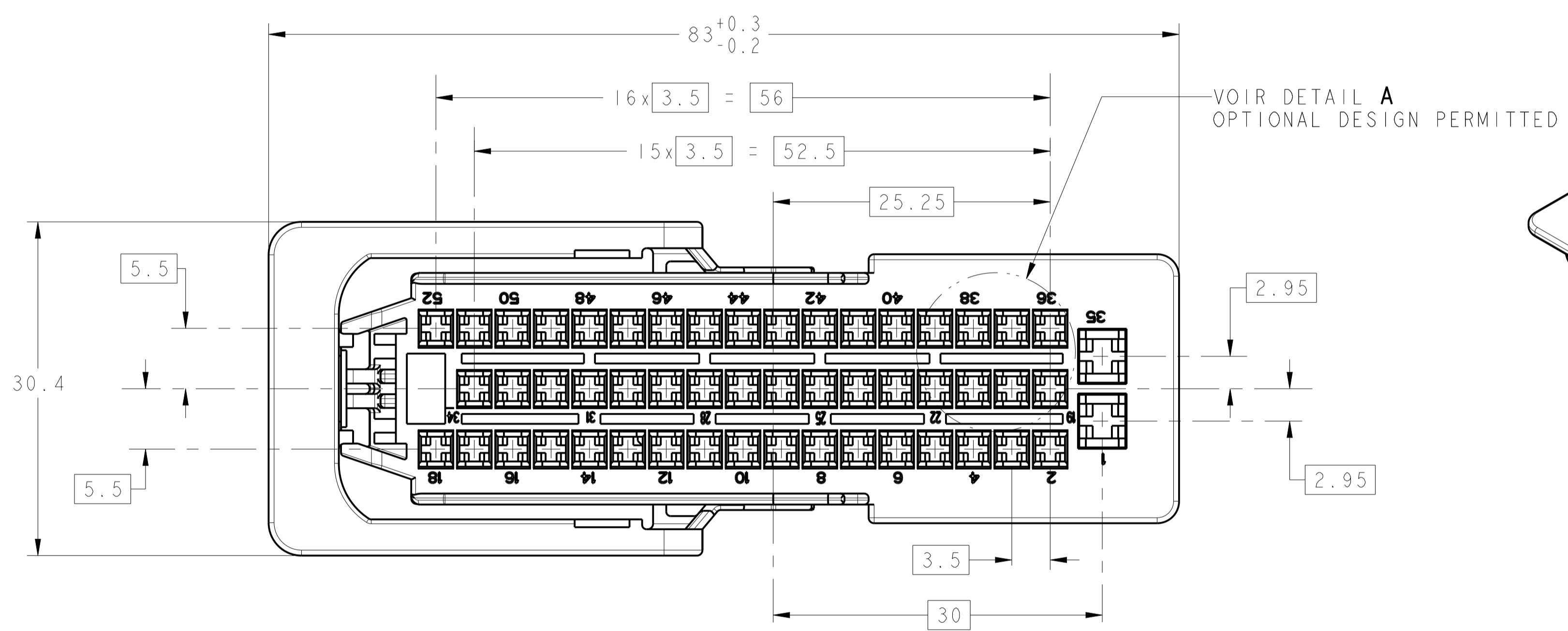
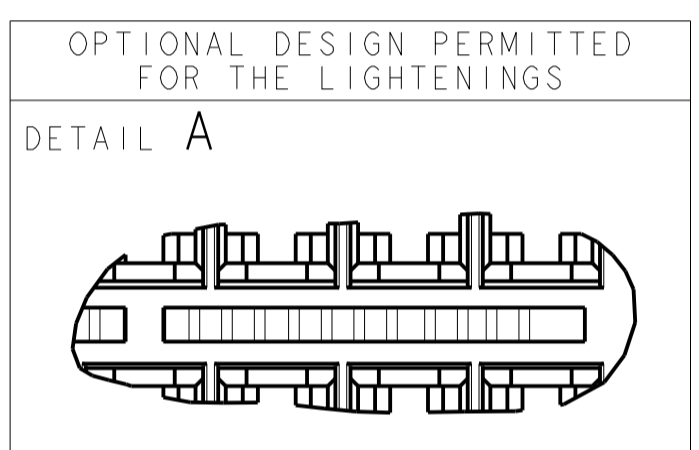
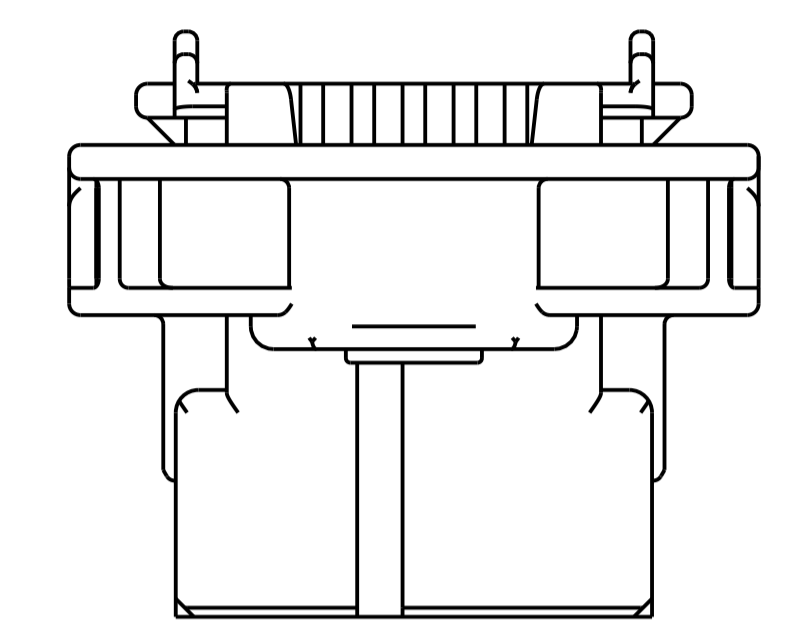
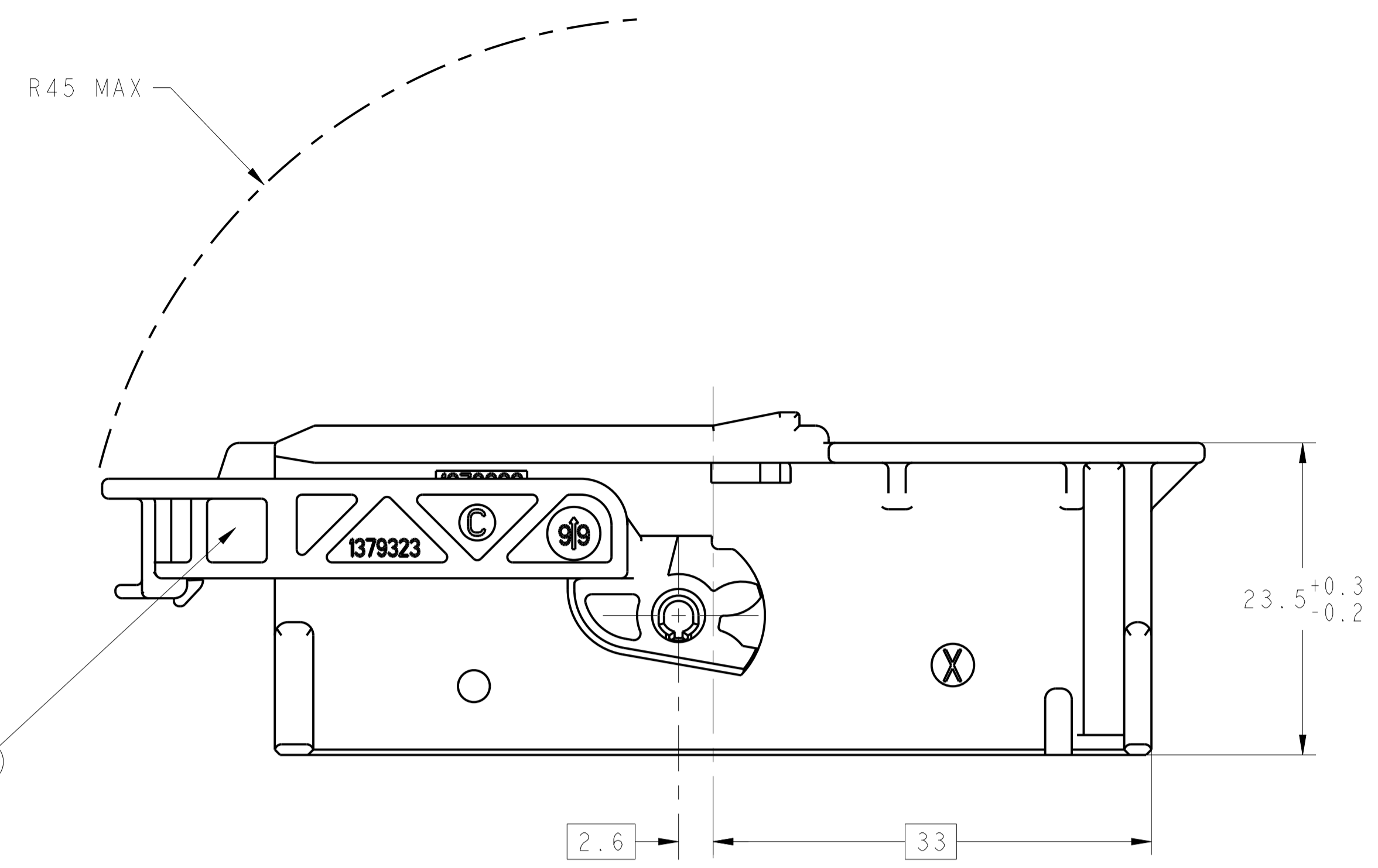
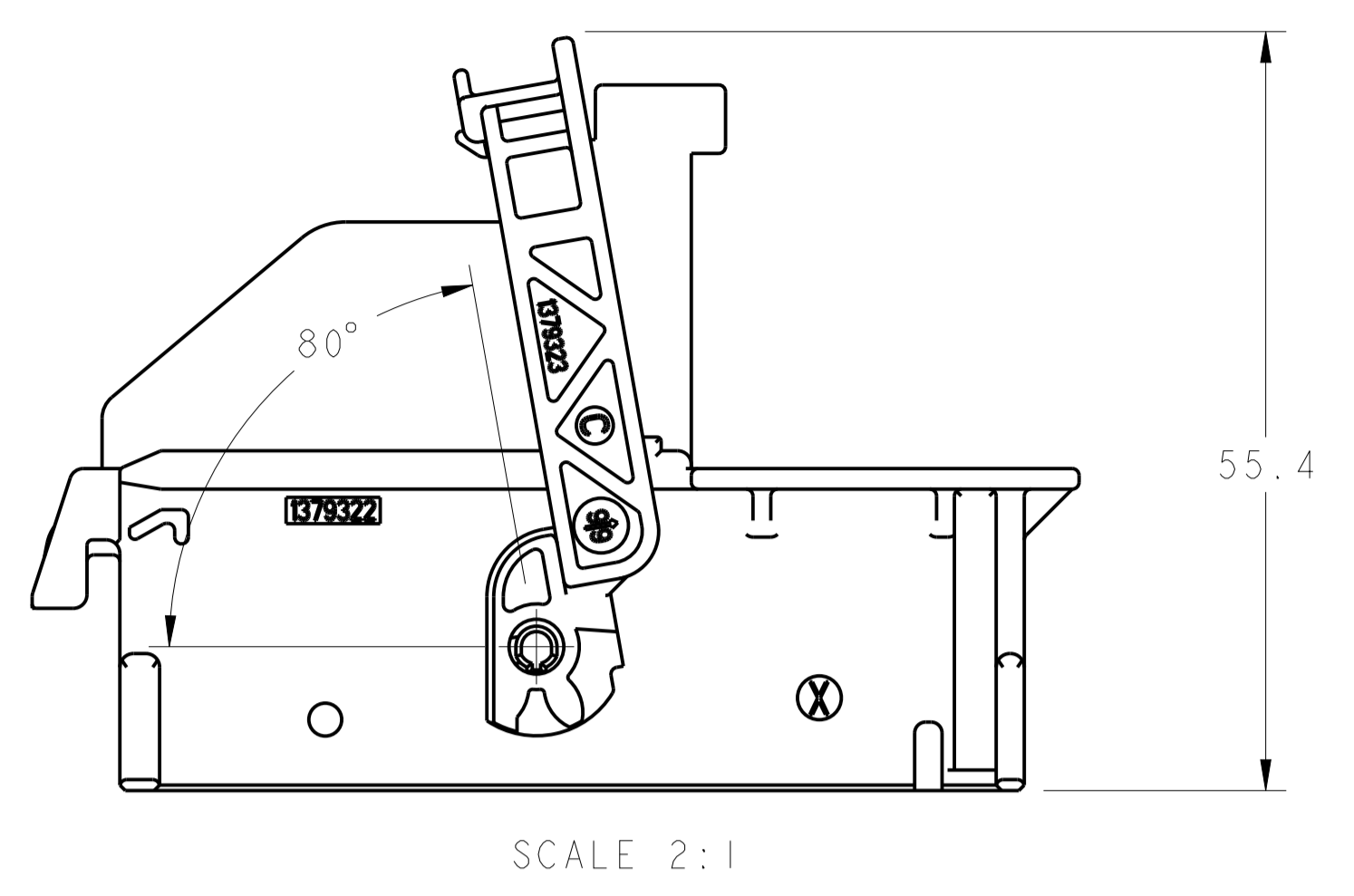


REVISIONS				
P.	LTM	DESCRIPTION	DATE	APVD
A		INITIAL RELEASE	01DEC2010	PB JPP
B		ALTERNATIVE DESIGN INTO THE LIGHTENINGS	22FEB2021	DB XR

REPRESENTATION DU LEVIER OUVERT
VIEWS WITH LEVER OPENED



POSITION DE LIVRAISON
DELIVERY CONDITION

TERMINAL SERIES	QTY
JPT	2
MICRO TIMER 2	50

<p>SCALE 3:2</p>	1379324-2	GREY	D
<p>SCALE 3:2</p>	1379324-1	BLACK	D
MECHANICAL CODING	PART NUMBER	COLOUR	PRC

ASSY PN	QTY	DESCRIPTION	MATERIAL	ITEM NO.
1379324-2	1	LEVER FOR 52 POS. (GREEN)	PBT GF 30	3
1379324-1	1	52W HYBRID RECEPTACLE HOUSING (BLACK)	PBT GF 20	2
	1	52W HYBRID RECEPTACLE HOUSING (GREY)		1

THIS DRAWING IS A CONTROLLED DOCUMENT.

OWN: P. BACHELOT 22-Mar-21
CHK: F. JODON 22-Mar-21
APVD: J.L. REVILL 22-Mar-21

DIMENSIONS: mm
TOLERANCES UNLESS OTHERWISE SPECIFIED:
0 PLC ±0.2
1 PLC ±0.2
2 PLC ±0.2
3 PLC ±0.2
4 PLC ±0.2
ANGLES ±0.2

MATERIAL: see table
FINISH: -

NAME: 52 WAYS ASSY RECEPTACLE HOUSING PORTE CLIPS 52 VOIES ASSEMBLE
PRODUCT SPEC: 108-15256
APPLICATION SPEC: -
SIZE: 411-15647
WEIGHT: 22gr
CUSTOMER DRAWING

TE Connectivity

SCALE: 3:1 SHEET 1 OF 1 REV B