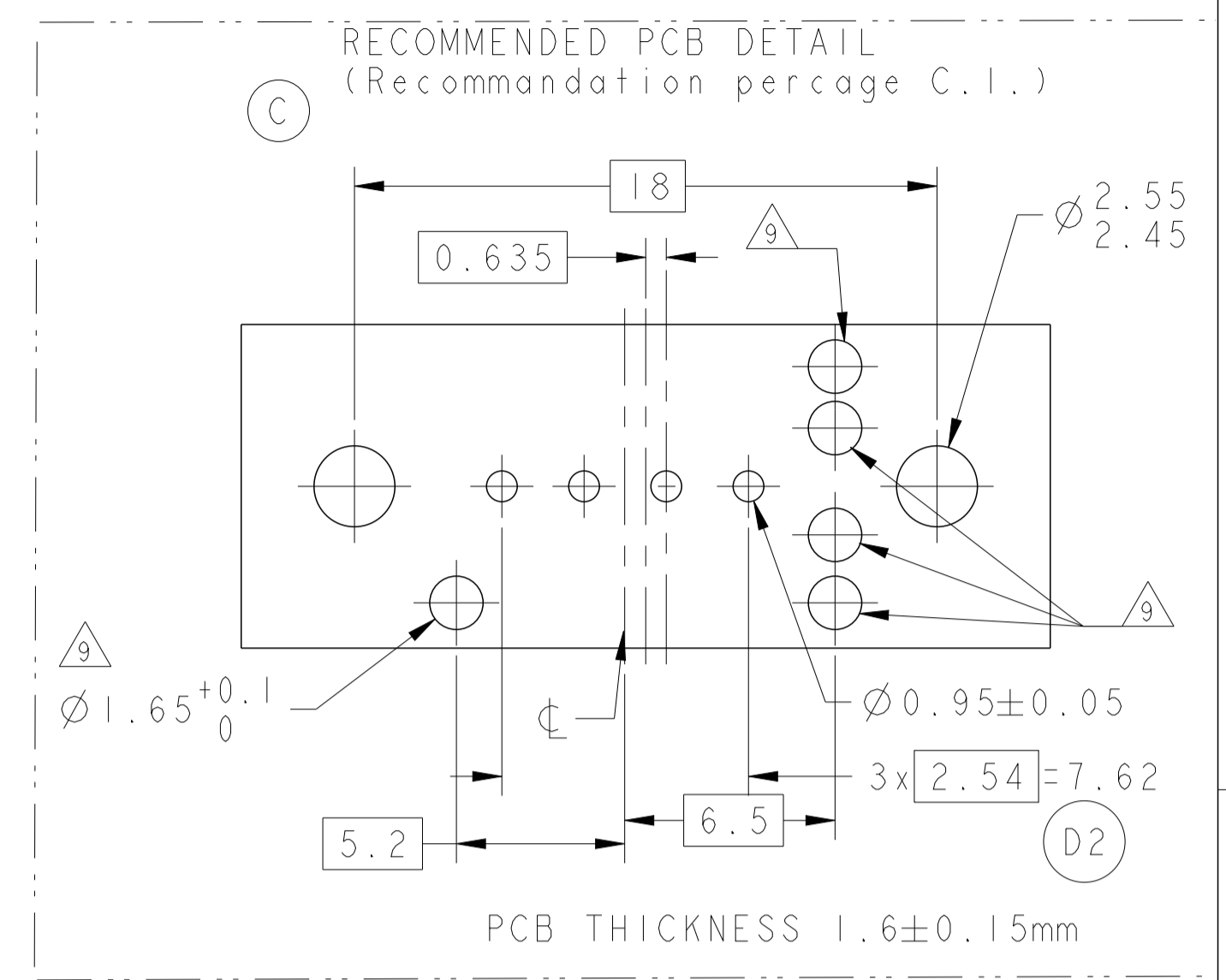
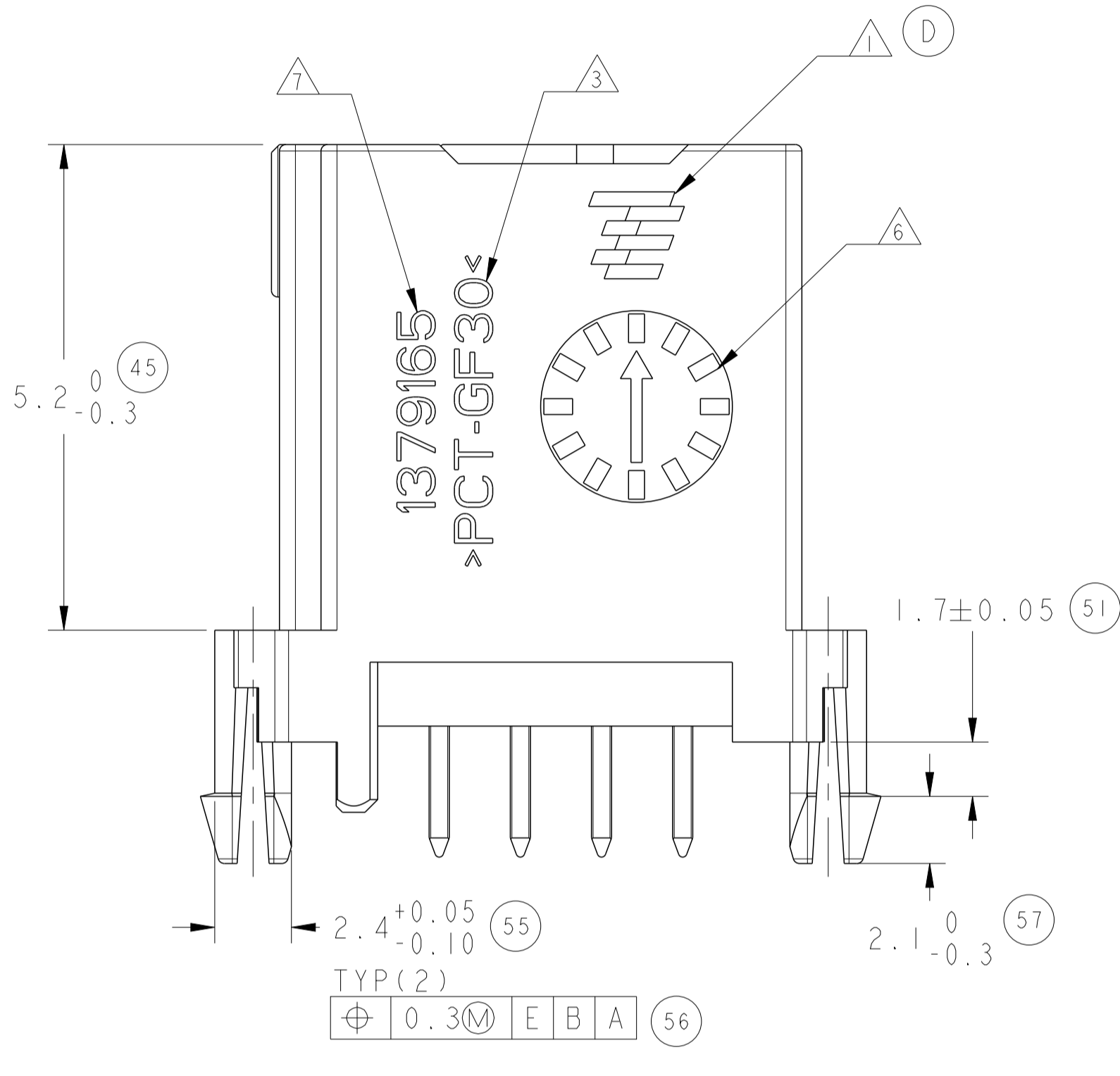
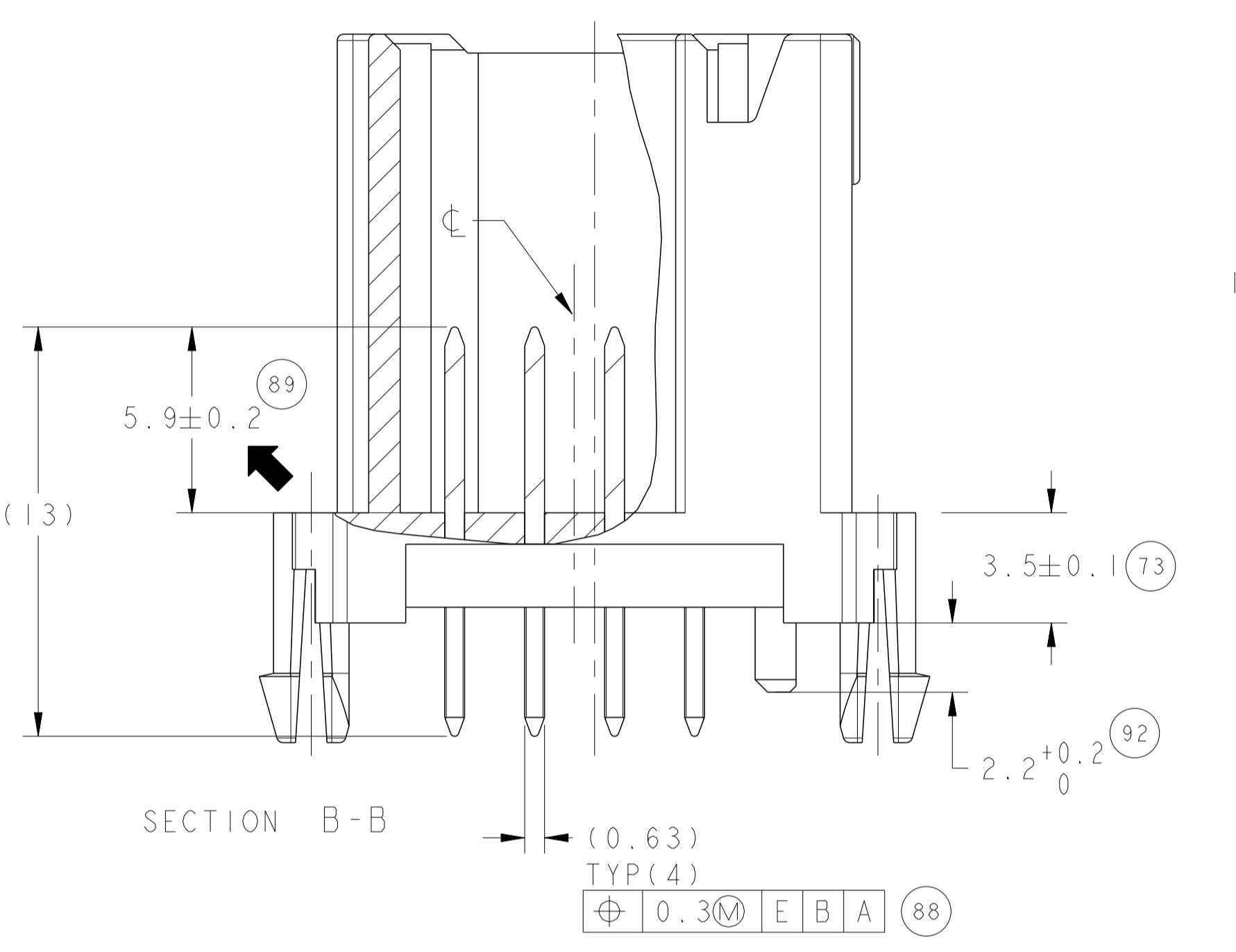
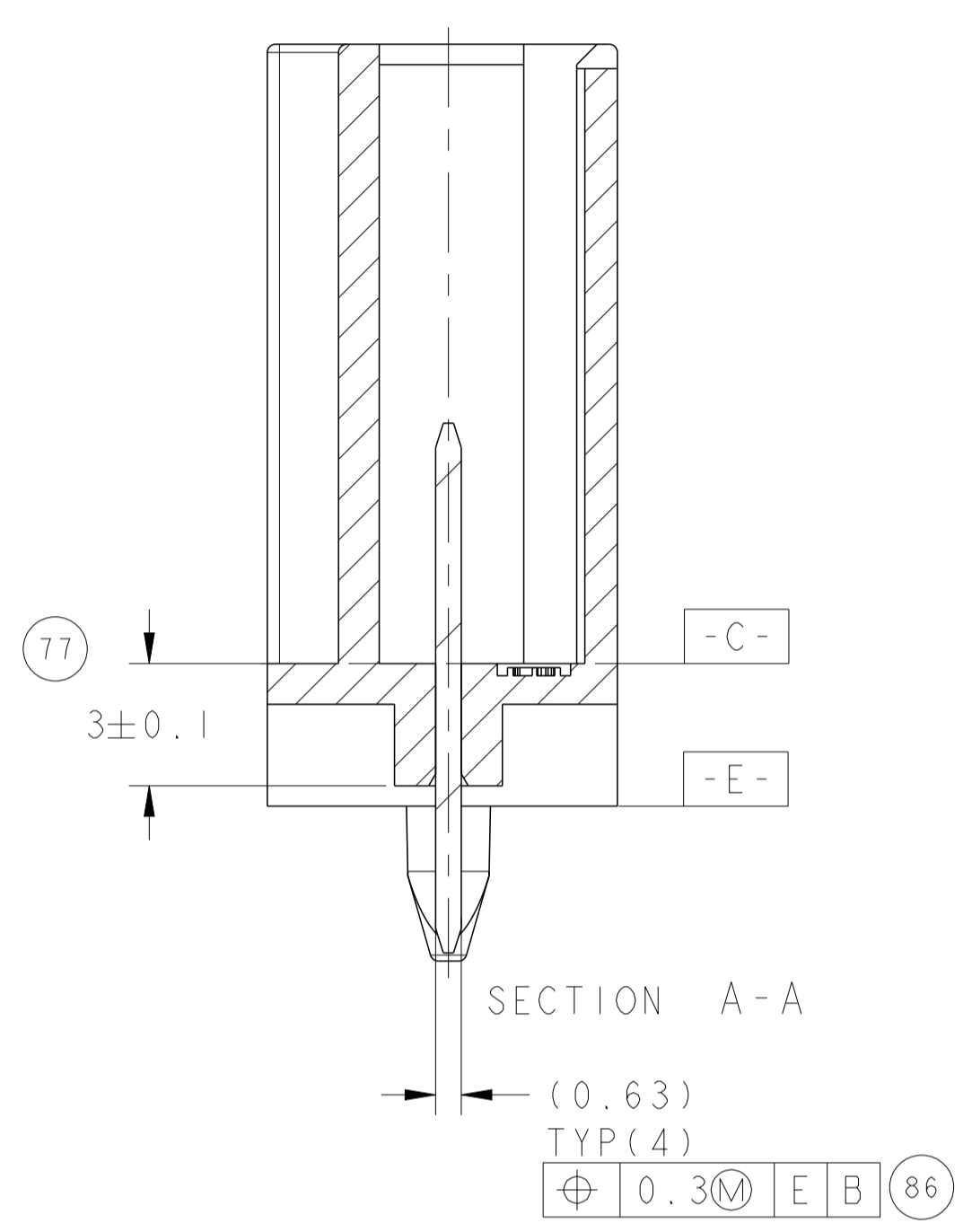
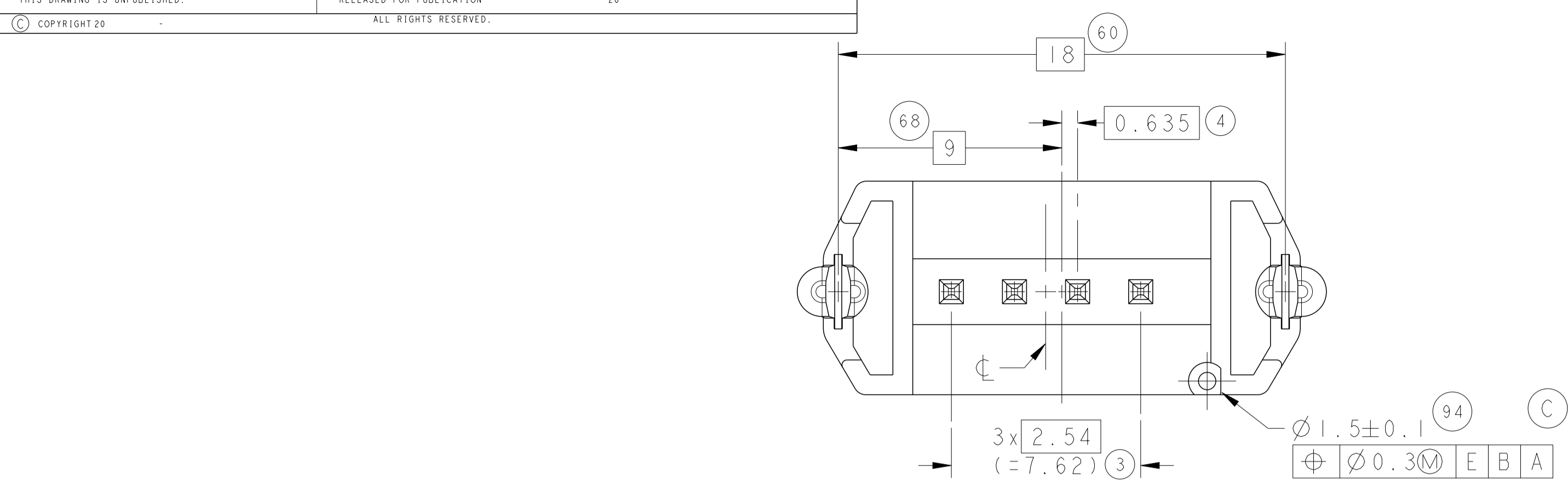


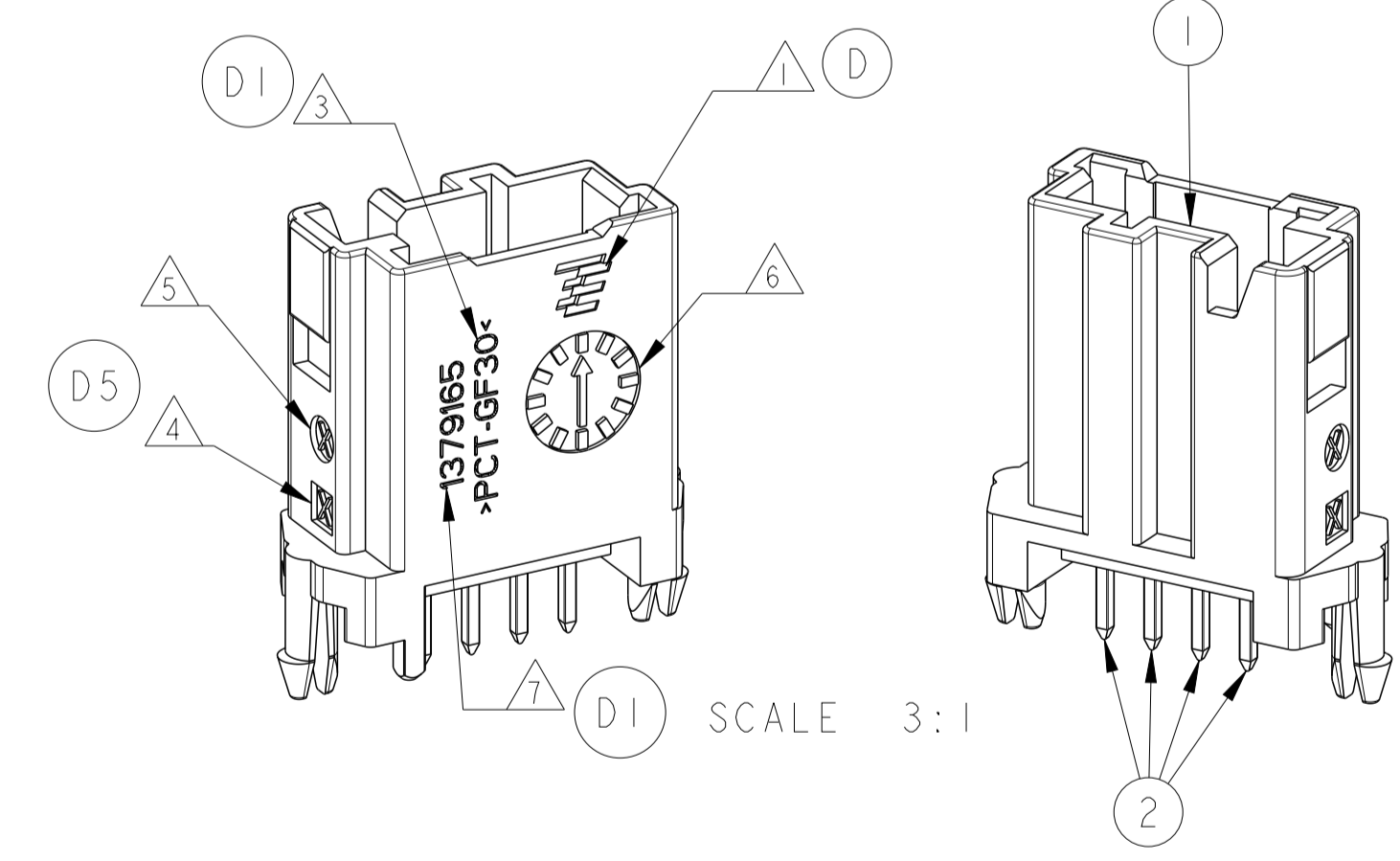
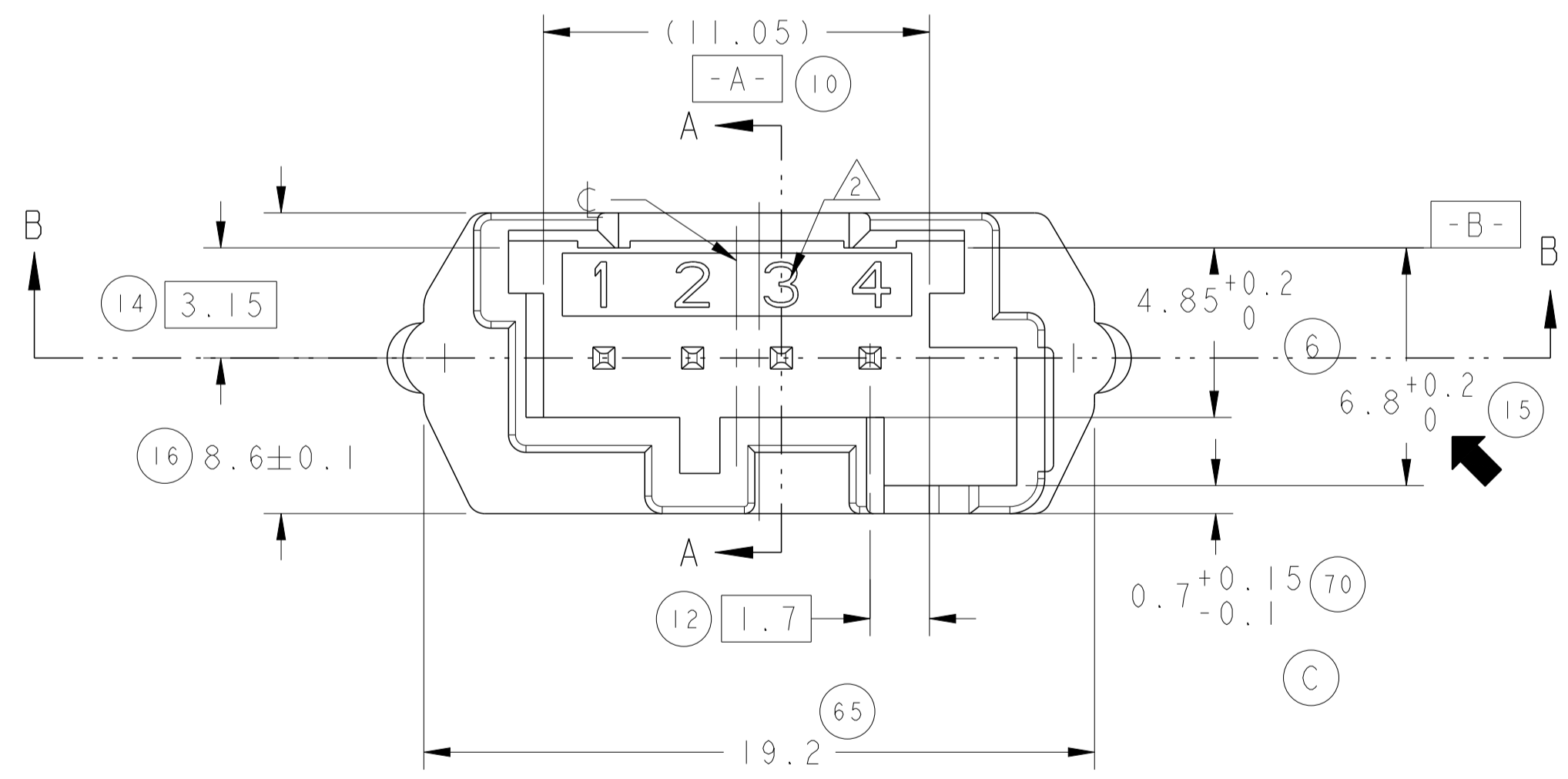
LOC	DIST	REVISIONS					
F	00	P	LTN	DESCRIPTION	DATE	OWN	APVD
		D2		CLARIFICATION	06SEP2013	OB	IS
		D3		ADD PN	27MAY2015	OB	IS
		D4		ADD PN	15OCT2015	OB	IS
		D5		MARKINGS UPDATE	24JUN2020	OB	IS



1379165-3
AS SHOWN

NOTES:

- 1 TE STAMP
Logo TE
- 2 CAVITY IDENTIFICATION 1,2,3,4
Repere d'alveole 1,2,3,4
- 3 MATERIAL IDENTIFICATION
Marquage matiere
- 4 MOLD REVISION STATUS
Indice de revision de moule
- 5 MOLD CAVITY NUMBER
Numero d'empreinte du moule
- 6 DATE CODE
dateur
- 7 TE PN
Reference TE
- 8 PCB THICKNESS
Epaisseur CI: 1.6mm
- 9 OPTIONAL HOLE DEPENDING ON CODING
Trou optionnel dependant du codage
- ← CAPABILITY DIMENTIONS
cotes pour capabilites



KEYING TABLE (Table de detrompage) (C1)

COLOR	BLACK (NOIR)	WHITE (BLANC)	BLUE (BLEU)	YELLOW (JAUNE)	GRAY (GRIS)	BROWN (MARRON)	BLACK (NOIR)
PN WITH PACKAGING ON TRAY	1379165-1	1379165-2	1379165-3	1379165-4	1379165-5	1379165-6	1379165-7
PN WITH PACKAGING ON STICK	1379165-1		1-1379165-3		1-1379165-5	1-1379165-6	1-1379165-7 (D3)
PN WITH PACKAGING ON CARRIER TAPE	2-1379165-1 (D4)						

SEE TABLE Voir table	SEE TABLE Voir table	4	PIN MQS	CuSn6	2
		1	4W MQS HEADER Embase 4V MQS	PCT GF30%	1
ASSEMBLY PN PN enssemble	COLOR couleur	QTY qte	DESIGNATION	MATERIAL Matiere	ITEM rep

THIS DRAWING IS A CONTROLLED DOCUMENT.

OWN: J. L. LAQUERRE 01DEC2000
CHK: J. LAQUERRE 05JAN2001
APVD: J. LAQUERRE 05JAN2001

TE Connectivity

4W MQS HEADER
POSITIVE MATE

SIZE: A1 CAGE CODE: 411-15635 DRAWING NO: 108-15267
REVISION: 108-15267 APPLICATION SPEC: 411-15635

WEIGHT: 0.10g

CUSTOMER DRAWING

SCALE: 4:1 SHEET: 1 OF 1 REV: D5