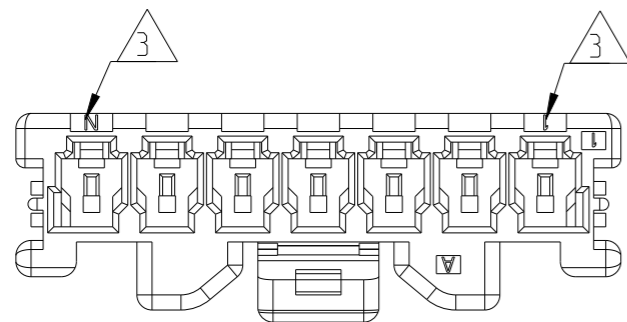
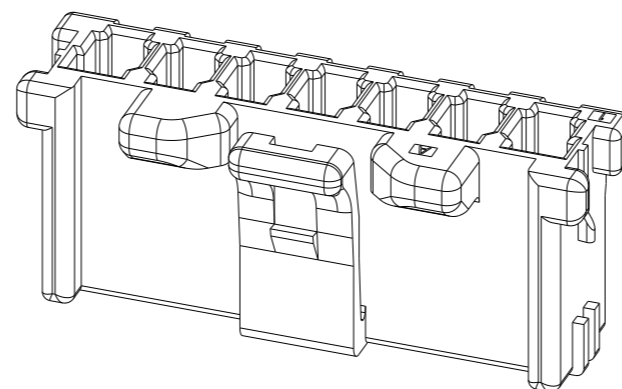
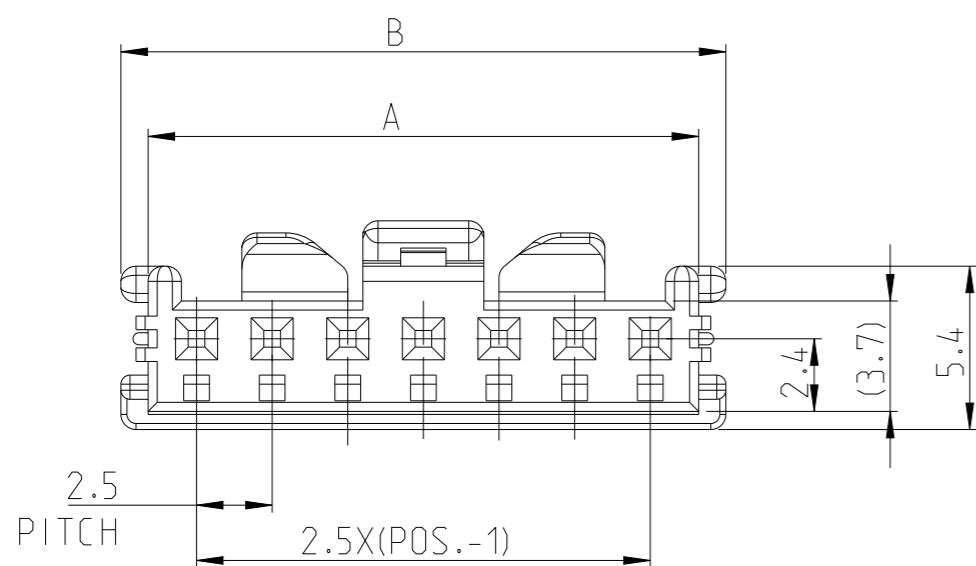
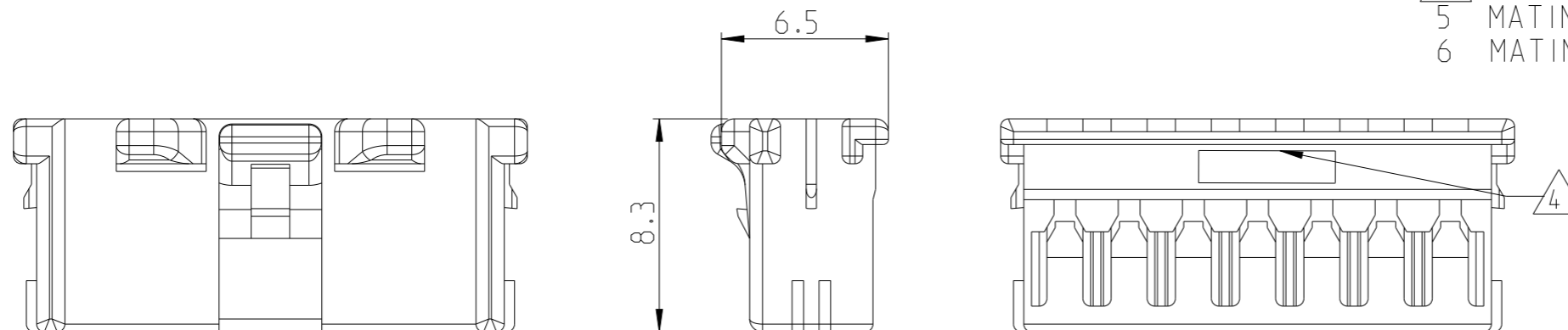


P	LTR	DESCRIPTION	DATE	DWN	APVD
E		REVISED PER ECR-21-101595	1APR2021	CX	DZ



- ① MATERIAL INFORMATION: PA66 WITH GLASS FIBER.
- ② DIMENSION SHOWN REPRESENT PRODUCT IN DRY AS MOLDED CONDITION.
- ③ CIRCUIT NUMBER.
- ④ TRADE MARK.
- ⑤ MATING HEADER ASSEMBLY: 1376477,1376492.
- ⑥ MATING CONTACT: 1376476.



①	20	18.2	NATURAL	7	1376477-7
①	17.5	15.7	BLUE	6	2-1376477-6
①	17.5	15.7	RED	6	1-1376477-6
①	17.5	15.7	NATURAL	6	1376477-6
①	15	13.2	NATURAL	5	1376477-5
①	12.5	10.7	BLUE	4	2-1376477-4
①	12.5	10.7	NATURAL	4	1376477-4
①	10	8.2	RED	3	1-1376477-3
①	10	8.2	NATURAL	3	1376477-3
①	7.5	5.7	RED	2	1-1376477-2
①	7.5	5.7	NATURAL	2	1376477-2
MATERIAL	B	A	COLOR	POSITION	PART NO.
	DIMENSION				

THIS DRAWING IS A CONTROLLED DOCUMENT.

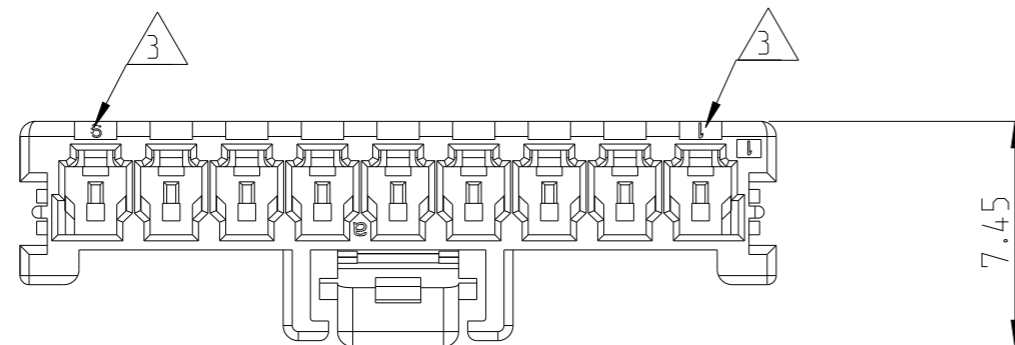
DIMENSIONS:	TOLERANCES UNLESS OTHERWISE SPECIFIED:
mm	
	①-PLC 0-10 ±0.2
	+ PLC 10-30 ±0.25
	2 PLC ±
	3 PLC ±
	4 PLC ±
	ANGLES ±°
MATERIAL	FINISH
PA66 GF	-
-	-

DWN	M.MA	09OCT2020
CHK	M.MA	09OCT2020
APVD	D.ZHANG	09OCT2020
PRODUCT SPEC	108-5703	
APPLICATION SPEC	114-5286	
WEIGHT	-	
CUSTOMER DRAWING		

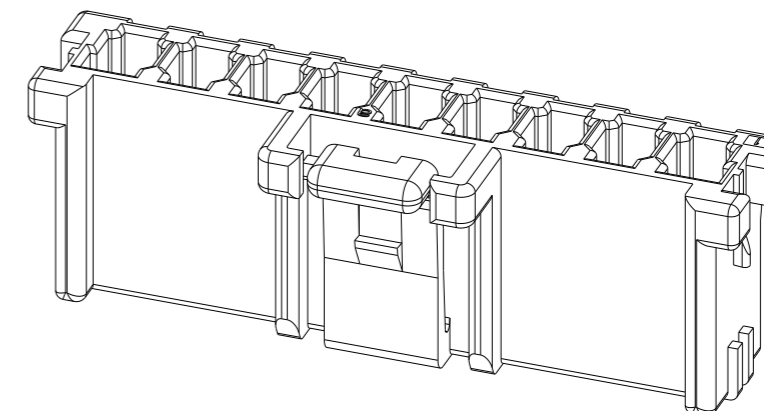
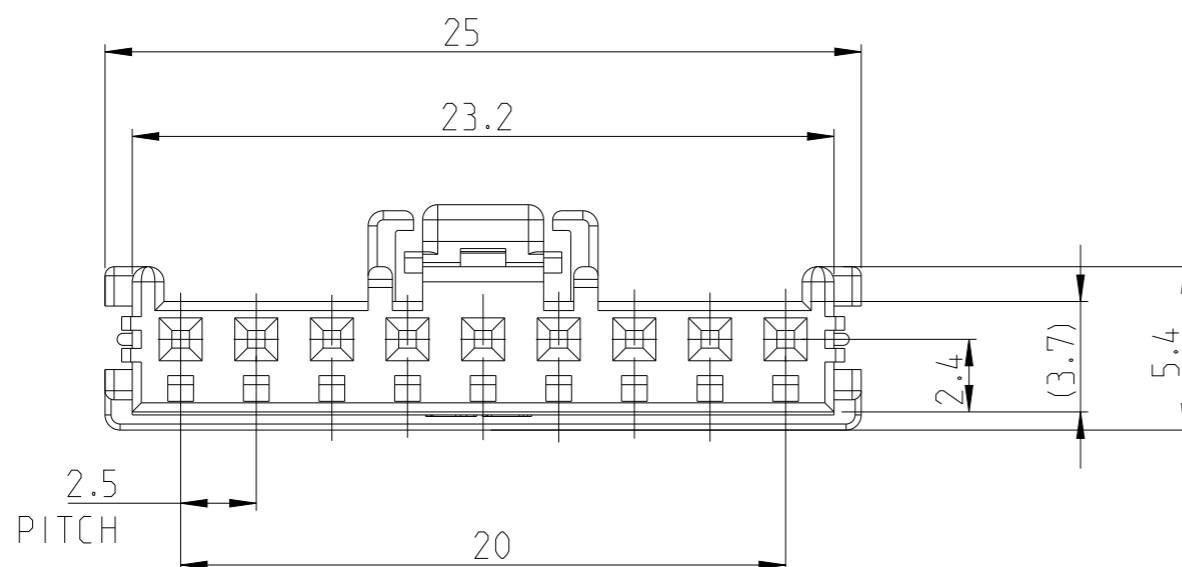
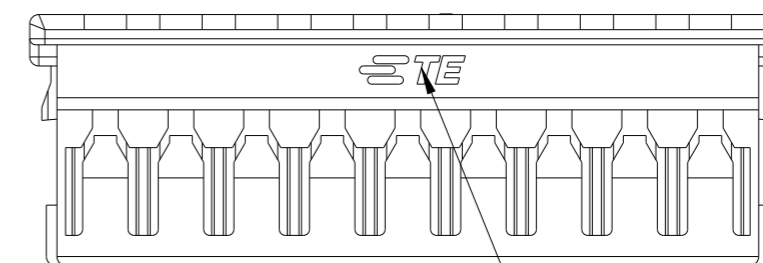
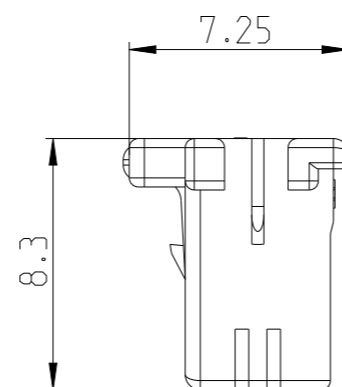
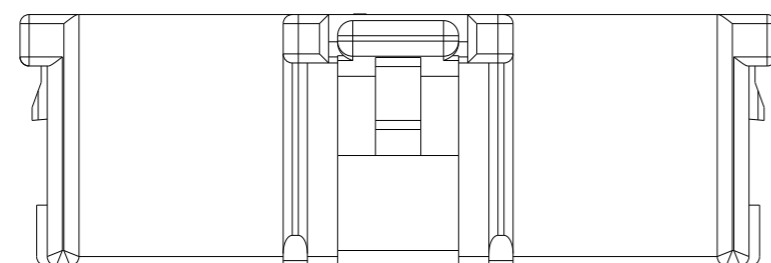


NAME PLUG HOUSING 2.5MM SIGNAL MATE CONNECTOR				RESTRICTED TO
SIZE	CAGE CODE	DRAWING NO		
A3	00779	1376477		
SCALE	SHEET	OF	REV	
4:1	1	2	E	

P	LTR	DESCRIPTION	DATE	DWN	APVD
		SEE SHEET 1			



- 1 MATERIAL INFORMATION: PA66 WITH GLASS FIBER.
- 2 DIMENSION SHOWN REPRESENT PRODUCT IN DRY AS MOLDED CONDITION.
- 3 CIRCUIT NUMBER.
- 4 TRADE MARK.



1	1376476	1376478-9	NATURAL	9	1376477-9
MATERIAL	MATING CONTACT	MATING PN	COLOR	POSITION	PART NO.

THIS DRAWING IS A CONTROLLED DOCUMENT.		DWN M.MA 09OCT2020	TE Connectivity		
DIMENSIONS: mm		CHK M.MA 09OCT2020			
TOLERANCES UNLESS OTHERWISE SPECIFIED:		APVD D.ZHANG 09OCT2020	NAME PLUG HOUSING		
0-PLC 0-10 ±0.2 1-PLC 10-30 ±0.25 2-PLC ± 3-PLC ± 4-PLC ± ANGLES ±3°		PRODUCT SPEC 108-5703	2.5MM SIGNAL MATE CONNECTOR		
MATERIAL PA66 GF		APPLICATION SPEC 114-5286	SIZE A3	CAGE CODE 00779	DRAWING NO C-1376477
FINISH -		WEIGHT -	RESTRICTED TO -		REV E
CUSTOMER DRAWING			SCALE 3:1	SHEET 2 OF 2	