

LOC	DIST	REVISIONS 変更					
J	—	P	LTR	DESCRIPTION	DATE	DWN	APVD
		P1		REVISED PER ECR-16-007444	30MAY2016	NK	SC

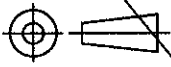

SEE DRAWING C-1376390

RELEASED FOR PUBLICATION

ALL RIGHTS RESERVED.

© COPYRIGHT

THIS DRAWING IS UNPUBLISHED.

DIMENSIONS: MM TOLERANCES UNLESS OTHERWISE SPECIFIED: 0 PLC ± - 1 PLC ± - 2 PLC ± - 3 PLC ± - 4 PLC ± - ANGLES ± - 	DWN	A.OISHI	31AUG'00	MATERIAL	FINISH		
	CHK	Y.KASHIWA	31AUG'00	 TE Connectivity			
	APVD	Y.KASHIWA	31AUG'00				
	PRODUCT SPEC	118-5699		NAME			
	APPLICATION SPEC	114-5292		5.0 POWER KEY CONNECTOR 6P PLUG HOUSING			
	WEIGHT	-		SIZE	CAGE CODE	DRAWING NO	RESTRICTED TO
CUSTOMER DRAWING			A4	00779	C-1376391	-	
				SCALE	-	SHEET 1 OF 1	REV P1

00/09/20 09:44