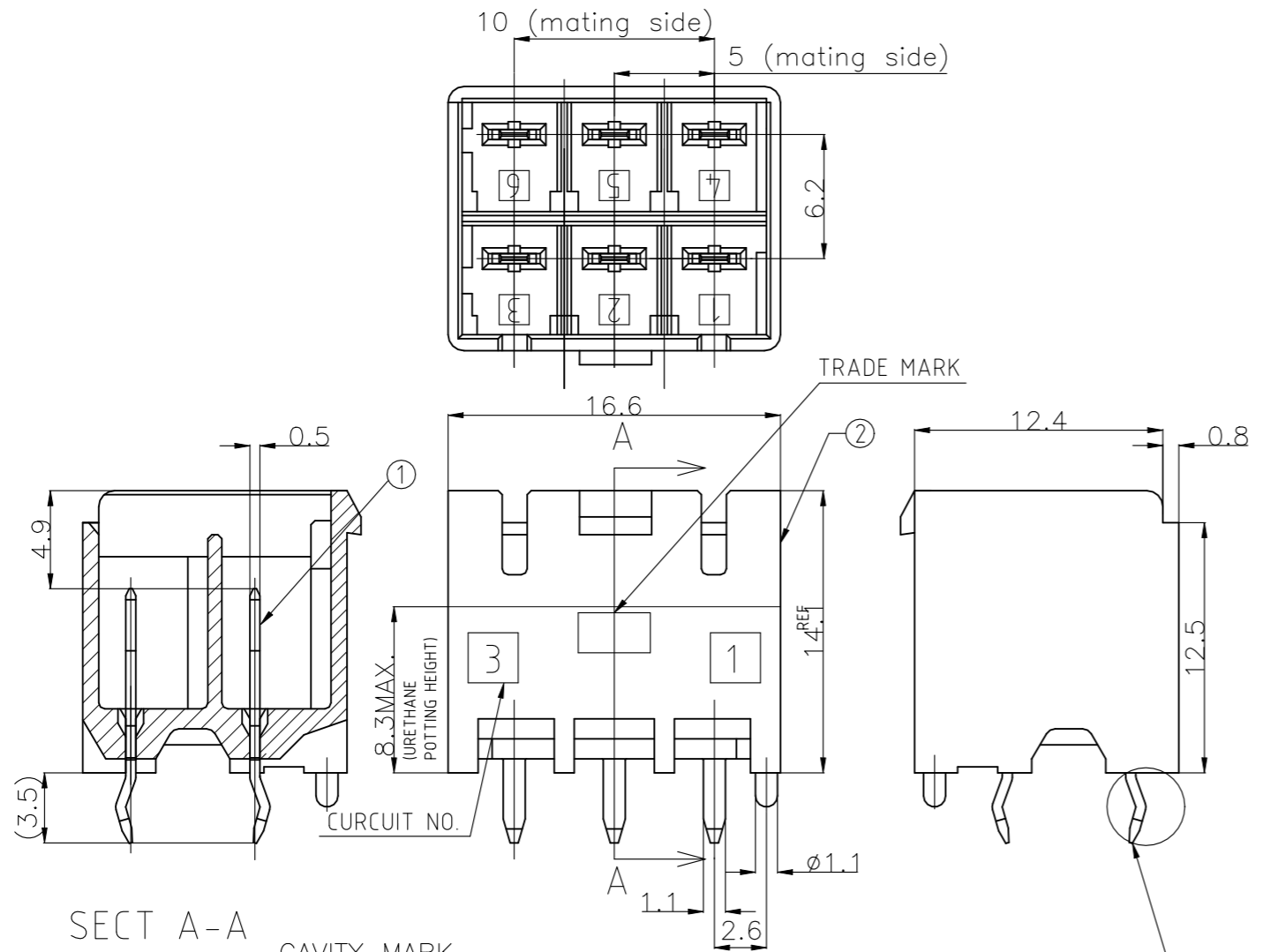
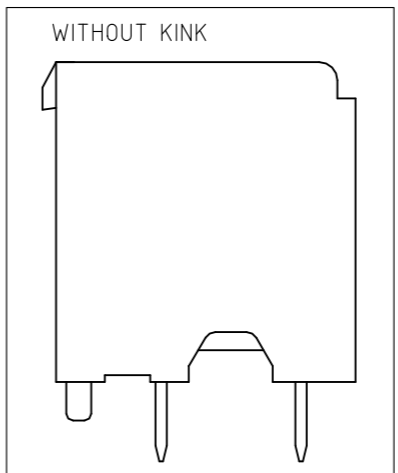
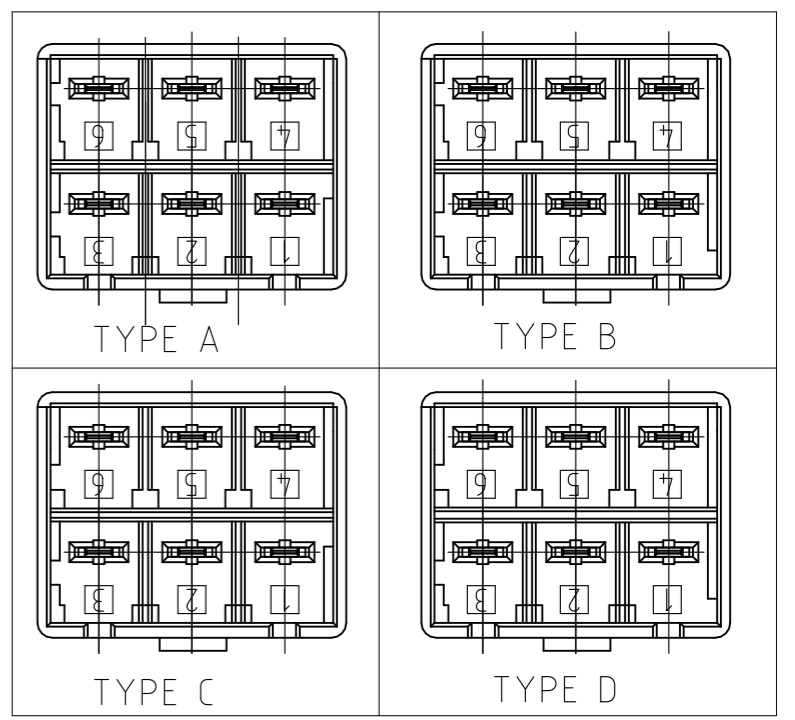


THIS DRAWING IS UNPUBLISHED. RELEASED FOR PUBLICATION
 © COPYRIGHT - By - ALL RIGHTS RESERVED.

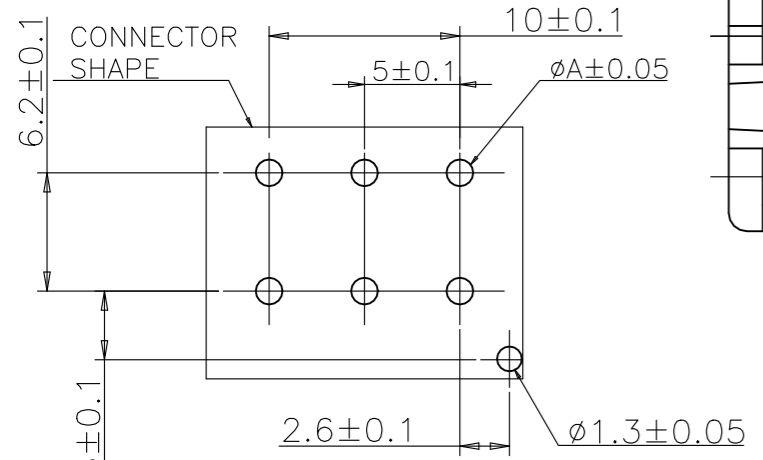
REVISIONS					
P	LTR	DESCRIPTION	DATE	DWN	APVD
	F2	REVISED PER ECR-21-101026	23MAR2021	SK	DZ



THE TYPE OF KEYING



SECT A-A



NO.	NAME	MATERIAL
②	HEADER HOUSING	6/6 NYLON GRASS FILLED
①	TAB	COPPER ALLOY TIN PLATED

△5	MATING CONN. P/N	WITH/WITHOUT KINK	TYPE OF KEYING	Color	Pos	PART NO.
△5	3-1376393-4	WITHOUT KINK	TYPE D	YELLOW	6Pos	8-1376387-4
△5	2-1376393-3	WITHOUT KINK	TYPE C	BLUE	6Pos	7-1376387-3
△5	1-1376393-2	WITHOUT KINK	TYPE B	RED	6Pos	6-1376387-2
△5	1376393-1	WITHOUT KINK	TYPE A	NATURAL	6Pos	5-1376387-1
△5	3-1376393-4	WITH KINK	TYPE D	YELLOW	6Pos	3-1376387-4
△5	2-1376393-3	WITH KINK	TYPE C	BLUE	6Pos	2-1376387-3
△5	1-1376393-2	WITH KINK	TYPE B	RED	6Pos	1-1376387-2
△5	1376393-1	WITH KINK	TYPE A	NATURAL	6Pos	1376387-1

	DIM A
PUNCHING	1.25
DRILLING	1.4

- △1 RECOMMENDED P.C.B LAY OUT.
- △2 APPLICABLE P.C.B. THICKNESS:1.6.
- △3 MATING CONN. P/N PLUG HOUSING :SEE TABLE.
- 4 PARTS MEET IEC 60335-1 (GWT GLOW WIRE TEST 750 DEGREE SPEC). NYLON 66, GWT, V-0.

RECOMMEDED PCB HOLES

THIS DRAWING IS A CONTROLLED DOCUMENT.

DWN	A.OISHI	20MAR2003
CHK	Y.KASHIWA	28AUG'00
APVD	Y.KASHIWA	28AUG'00
PRODUCT SPEC	NAME	
APPLICATION SPEC	108-5699	
WEIGHT	114-5292	

STE TE Connectivity

5.0 POWER KEY CONNECTOR
 6P HEADER ASSEMBLY (2ROW)

SIZE	CAGE CODE	DRAWING NO	RESTRICTED TO
A3	00779	C-1376387	-

CUSTOMER DRAWING SCALE 3:1 SHEET 1 OF 2 REV F2

THIS DRAWING IS UNPUBLISHED.

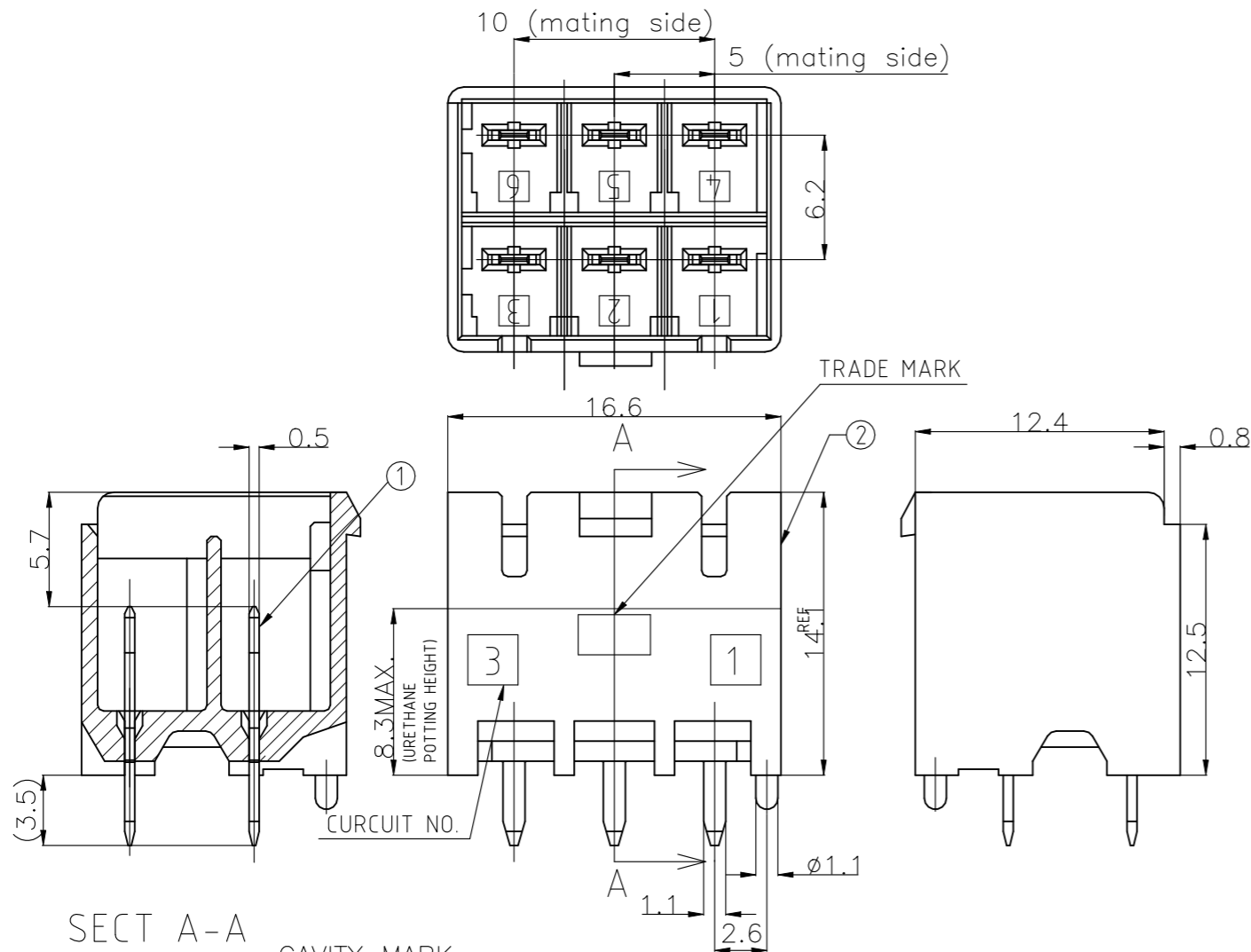
RELEASED FOR PUBLICATION

ALL RIGHTS RESERVED.

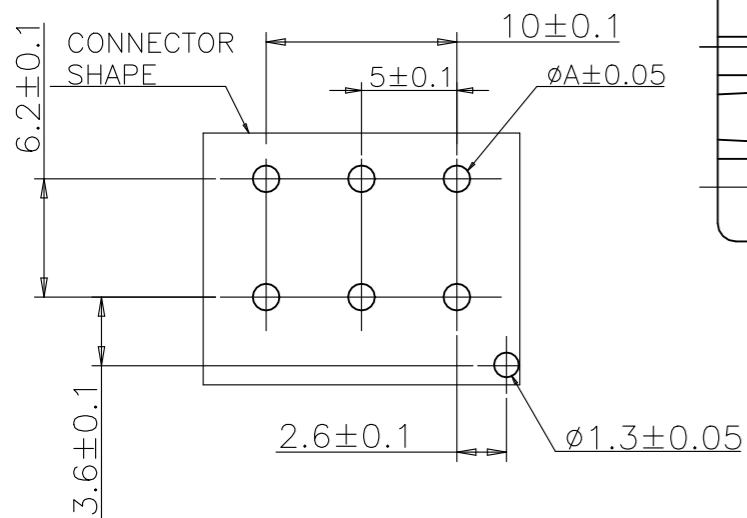
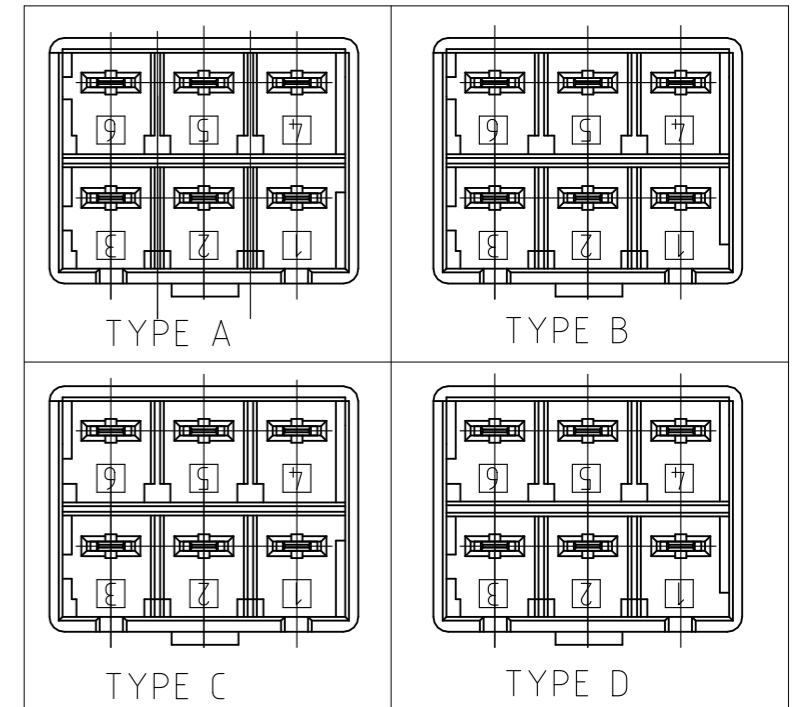
© COPYRIGHT - By -

REVISIONS

P	LTR	DESCRIPTION	DATE	DWN	APVD
-	-	SEE SHEET 1	-	-	-



THE TYPE OF KEYING



PUNCHING	1.25
DRILLING	1.4
	DIM A

RECOMMEDED PCB HOLES

- ① RECOMMENDED P.C.B LAY OUT.
- ② APPLICABLE P.C.B. THICKNESS:1.6.
- ③ MATING CONN. P/N
- PLUG HOUSING :SEE TABLE.

②	HEADER HOUSING	6/6 NYLON W/O GF
①	TAB	COPPER ALLOY TIN PLATED
NO.	NAME	MATERIAL

THIS DRAWING IS A CONTROLLED DOCUMENT.

DIMENSIONS:	TOLERANCES UNLESS OTHERWISE SPECIFIED:
mm	
	0 PLZ ± 0.2
	1 PZC ±
	2 PLC ±
	3 PZC ±
	4 PLO ±
	ANGLES ± 1°
MATERIAL	FINISH
SEE TABLE	SEE TABLE

DWN	A.OISHI	20MAR2003	TE Connectivity 5.0 POWER KEY CONNECTOR 6P HEADER ASSEMBLY (2ROW)					
CHK	Y.KASHIWA	28AUG'00						
APVD	Y.KASHIWA	28AUG'00						
PRODUCT SPEC	NAME							
APPLICATION SPEC	108-78863		SIZE	CAGE CODE	DRAWING NO	RESTRICTED TO		
WEIGHT	1.67g		A3	00779	C-1376387	-		
CUSTOMER DRAWING			SCALE	3:1	SHEET	2 OF 2	REV	F2