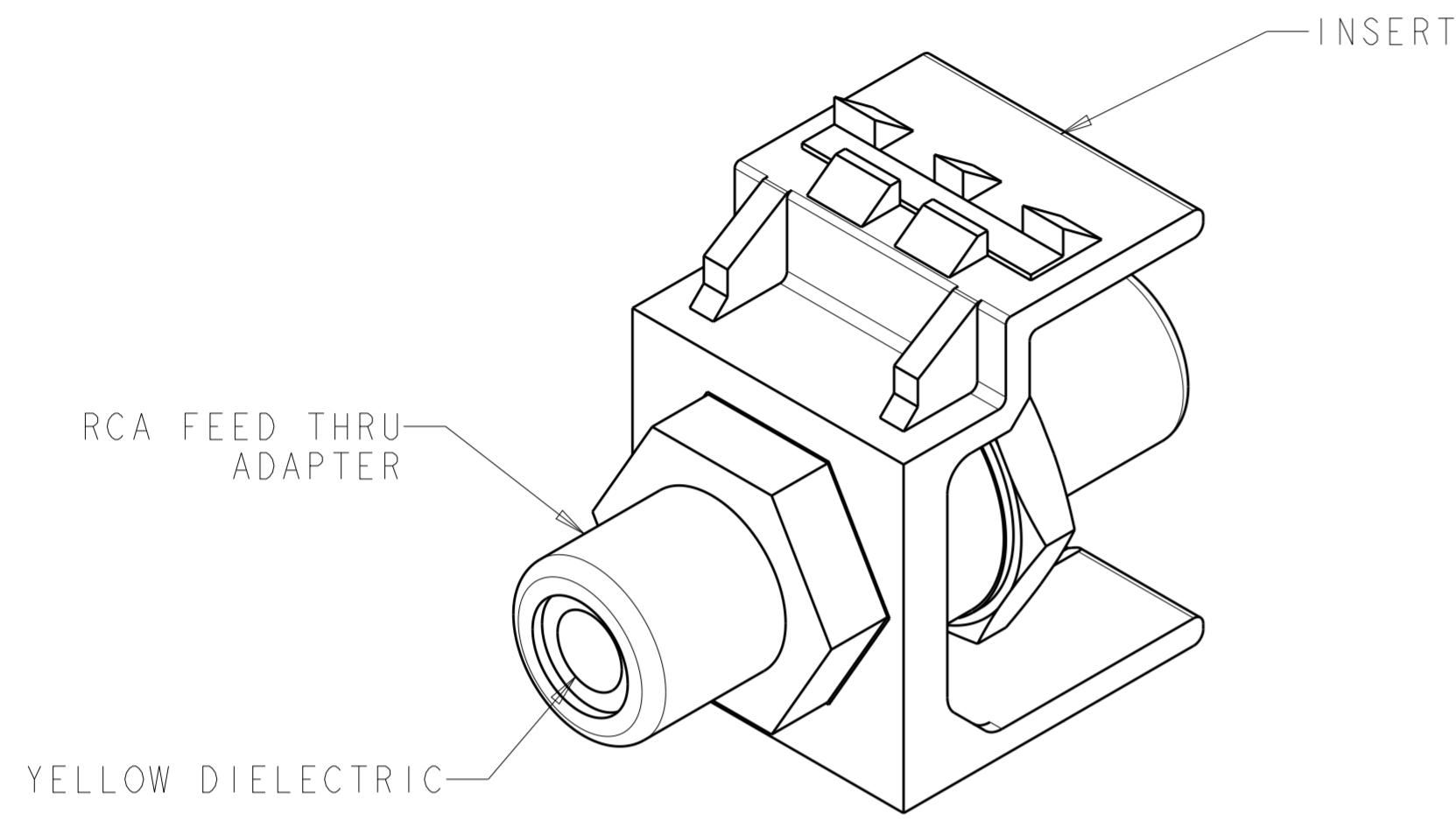


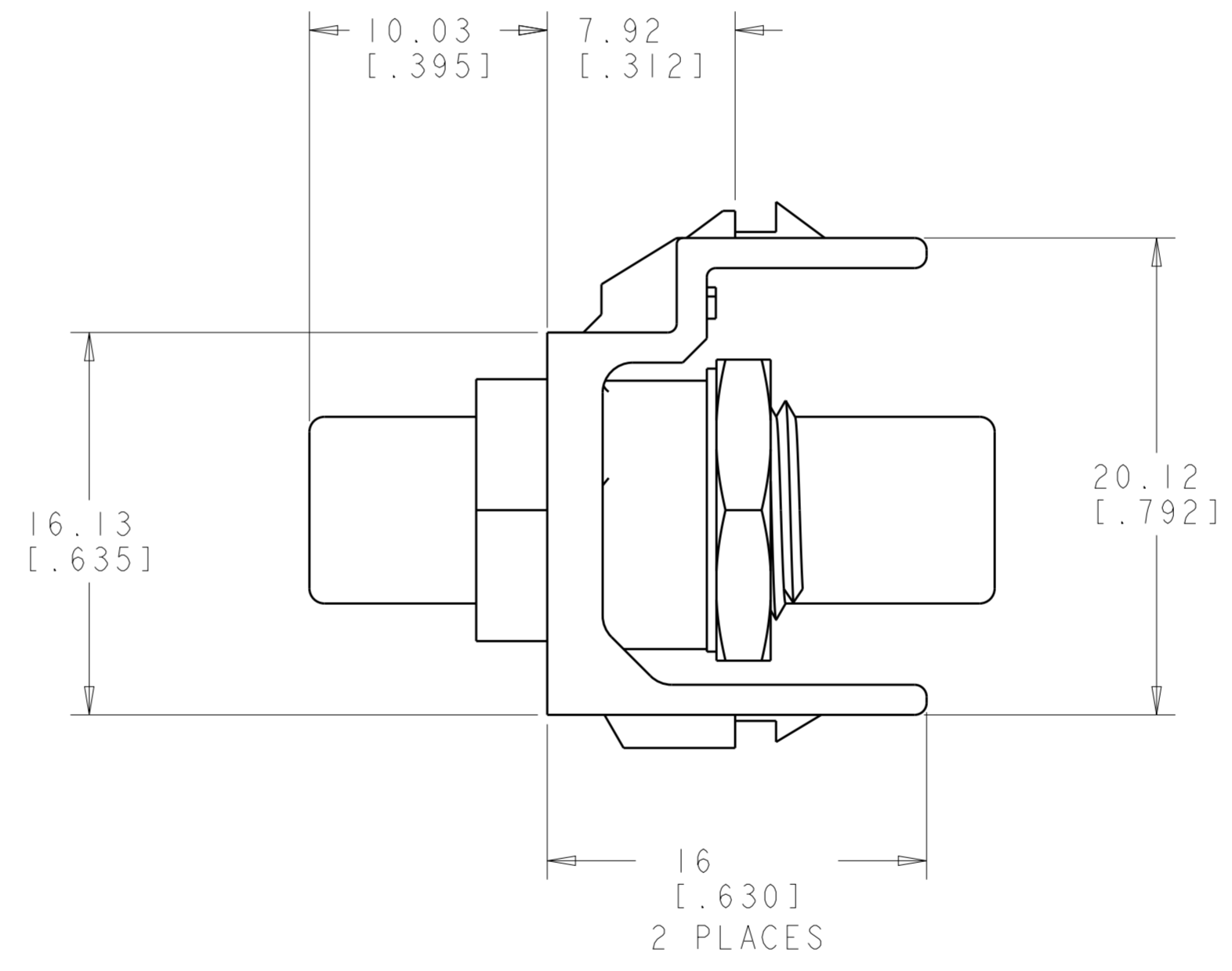
THIS DRAWING IS UNPUBLISHED. RELEASED FOR PUBLICATION 20
 © COPYRIGHT 20 BY - ALL RIGHTS RESERVED.

LOC	DIST	REVISIONS					
HM	00	P	LTR	DESCRIPTION	DATE	DWN	APVD
		B		ECO-13-007087	29APR2013	JM	RA



1 MATERIAL:
 INSERT - POLYCARBONATE MOLDING COMPOUND,
 SEE TABLE FOR COLOR.
 ADAPTER - BRASS, GOLD PLATED.

2 UNLESS OTHERWISE SPECIFIED ALL
 DIMENSIONS ARE SHOWN NOMINAL.



ALPINE WHITE	I-1375363-3
LIGHT ALMOND	1375363-1
COLOR	PART NUMBER

THIS DRAWING IS A CONTROLLED DOCUMENT.		DWN G. GARRETT Apr-29-13	TE Connectivity	
DIMENSIONS: MM [INCHES]		CHK G. BOWMAN Apr-29-13		
TOLERANCES UNLESS OTHERWISE SPECIFIED:		APVD G. BOWMAN Apr-29-13		
0 PLC ± 1 PLC ± 2 PLC ± 3 PLC ± 4 PLC ± ANGLES ± FINISH ±		NAME INSERT ASSEMBLY, RCA FEED-THRU, YELLOW, SL SERIES		
MATERIAL 1		PRODUCT SPEC -	SIZE A200779	CAGE CODE C-1375363
CUSTOMER DRAWING		APPLICATION SPEC -	SCALE 4:1	RESTRICTED TO -
		WEIGHT -	SHEET 1	REV B