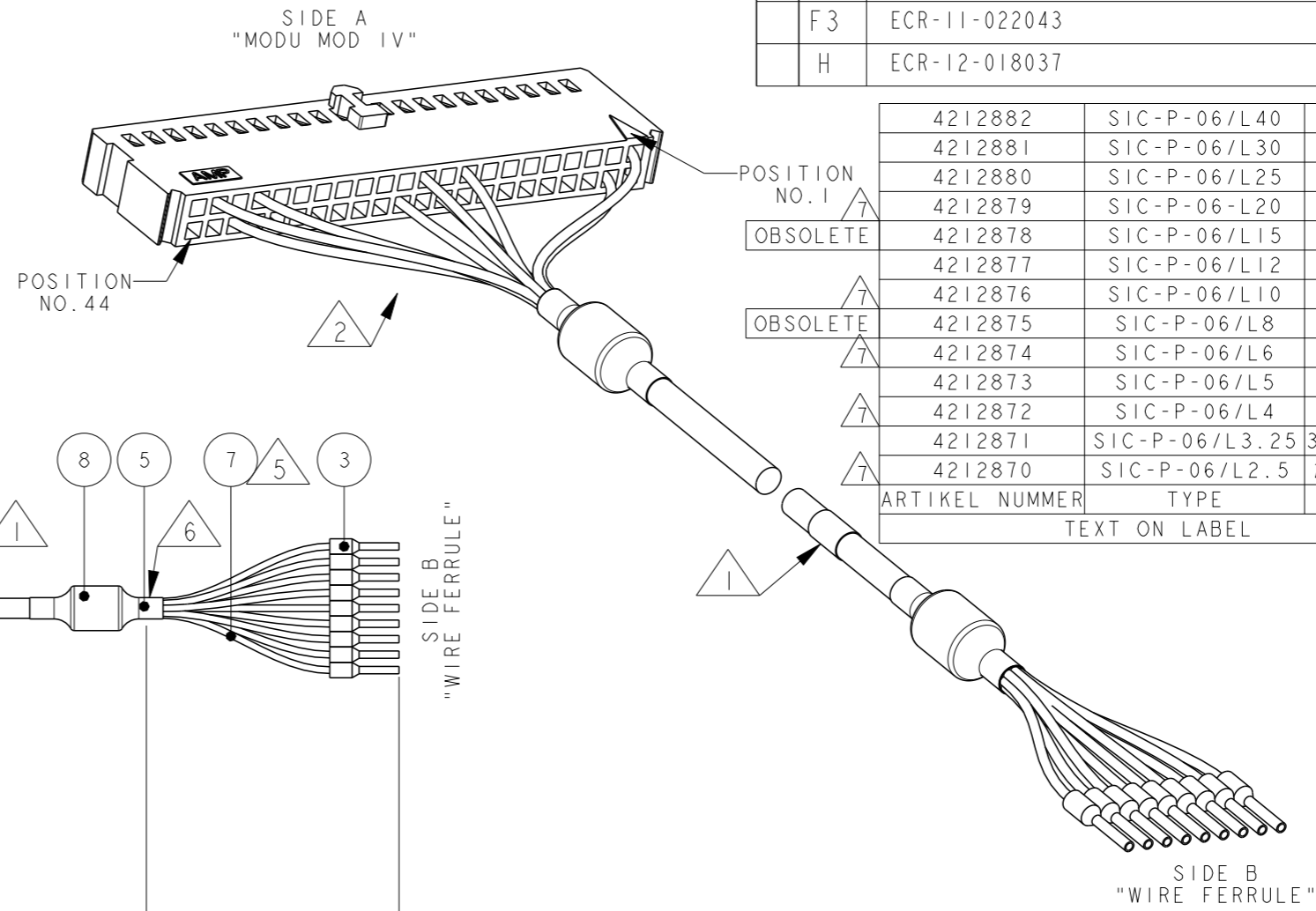


THIS DRAWING IS UNPUBLISHED. RELEASED FOR PUBLICATION 2009
 © COPYRIGHT 2009 ALL RIGHTS RESERVED.

LOC	DIST	REVISIONS					
A1	-	P	LTR	DESCRIPTION	DATE	DWN	APVD
			F1	REVISED PER ECO-09-027197	18DEC09	KK	AEG
			F2	ECR-10-013940	17JUL10	RK	JK
			F3	ECR-11-022043	02JAN12	RK	JK
			H	ECR-12-018037	18OCT12	RK	BvH

CABLE TYPE	BACK PLANE	SIC-P-06
10102/2/2 SIGNALS	4-215243-4 PINS	CRIMP PINS (COLOR CODE)
BRAID	41	YELLOW/GREEN
FIELD 1-	40	BROWN
FIELD 1+	37	WHITE
FIELD 2+	24	GREEN
FIELD 2-	21	YELLOW
FIELD 3-	20	PINK
FIELD 3+	17	GREY
FIELD 4+	4	BLUE
FIELD 4-	1	RED

PIN ALLOCATION FOR FTA / CRIMP PINS FOR 10102/2/2



ARTIKEL NUMMER	TYPE	LENGTH	DIM "A"	TE PARTNUMBER
4212882	SIC-P-06/L40	40 MTR.	40000	I-1365020-3
4212881	SIC-P-06/L30	30 MTR.	30000	I-1365020-2
4212880	SIC-P-06/L25	25 MTR.	25000	I-1365020-1
4212879	SIC-P-06/L20	20 MTR.	20000	I-1365020-0
4212878	SIC-P-06/L15	15 MTR.	15000	0-1365020-9
4212877	SIC-P-06/L12	12 MTR.	12000	0-1365020-8
4212876	SIC-P-06/L10	10 MTR.	10000	0-1365020-7
4212875	SIC-P-06/L8	8 MTR.	8000	0-1365020-6
4212874	SIC-P-06/L6	6 MTR.	6000	0-1365020-5
4212873	SIC-P-06/L5	5 MTR.	5000	0-1365020-4
4212872	SIC-P-06/L4	4 MTR.	4000	0-1365020-3
4212871	SIC-P-06/L3.25	3.25 MTR.	3250	0-1365020-2
4212870	SIC-P-06/L2.5	2.5 MTR.	2500	0-1365020-1

NOTES:

- 1 TEXT ON LABEL : ARTIKELNUMMER : TYPE : LENGTE : WW/YY :
- 2 NO TENSION ON ANY WIRE IN THIS AREA
- 3 QTY. PER ASS'Y IS THE SAME FOR ALL PARTNUMBERS SHOWN IN THE TABLE
- 4 WIRE LENGTH SHOWN IN DASHNUMBER TABLE
- 5 SOLDER WIRE ITEM 7 TO BRAID OF CABLE AT BOTH SIDES AND INSULATE WITH ITEM 5
- 6 CUT OFF WIRES WHICH ARE NOT USED IN THIS AREA AT BOTH SIDES
- 7 OBSOLETE PARTS: OBSOLETE CIS STREAMLINING PER D.RENAUD/D.SINISI

FILL IN TEXT AS DISPLAYED IN TABLE
 WEEKNUMBER AND YEAR OF CABLE PRODUCTION, EXAMPLE: 32/98

8	0-1365183-1	FERRITE	2
7	1-161173-0	DRAINWIRE AWG20, UL1061, YELLOW/GREEN	1
6	3-161183-4	BPT LABEL 34	1
5	6713124001	HEAT SHRINKABLE TUBING L=70mm	2
4	10BHCLF001	10 x AWG20 SHIELDED UL CABLE	1
3	966067-1	WIRE FERRULE	9
2	0-167301-4	MODU MOD IV REC. CONTACT	9
1	1-102387-3	44 POS. MODU MOD IV HOUSING	1
ITEM	PARTNUMBER	DESCRIPTION	QTY

THIS DRAWING IS A CONTROLLED DOCUMENT.	
DIMENSIONS: mm	TOLERANCES UNLESS OTHERWISE SPECIFIED:
	0 PLC ±-
	1 PLC ±-
	2 PLC ±-
	3 PLC ±-
	4 PLC ±-
	ANGLES ±1°
MATERIAL	FINISH

DWN - RSM/VIRO -
 CHK - G.BREUKINK -
 APVD - J.V.GRUNSVEN -
 PRODUCT SPEC -
 APPLICATION SPEC -
 WEIGHT -

STE TE Connectivity

NAME: SIC-P-06 SHIELDED FILTERED (44 POS. MODU MOD IV / 9 POS. WIRE FERRULE LEAD)

SIZE: A3 CAGE CODE: 00779 DRAWING NO: 1365020 RESTRICTED TO: -

Customer Drawing SCALE: 1:1 SHEET: 1 OF: 1 REV: H