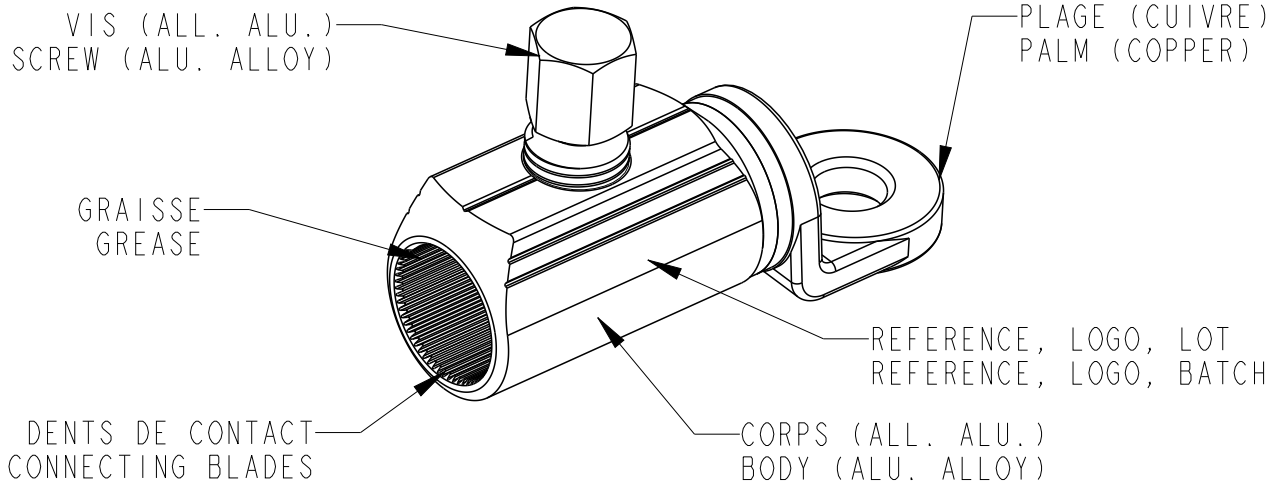
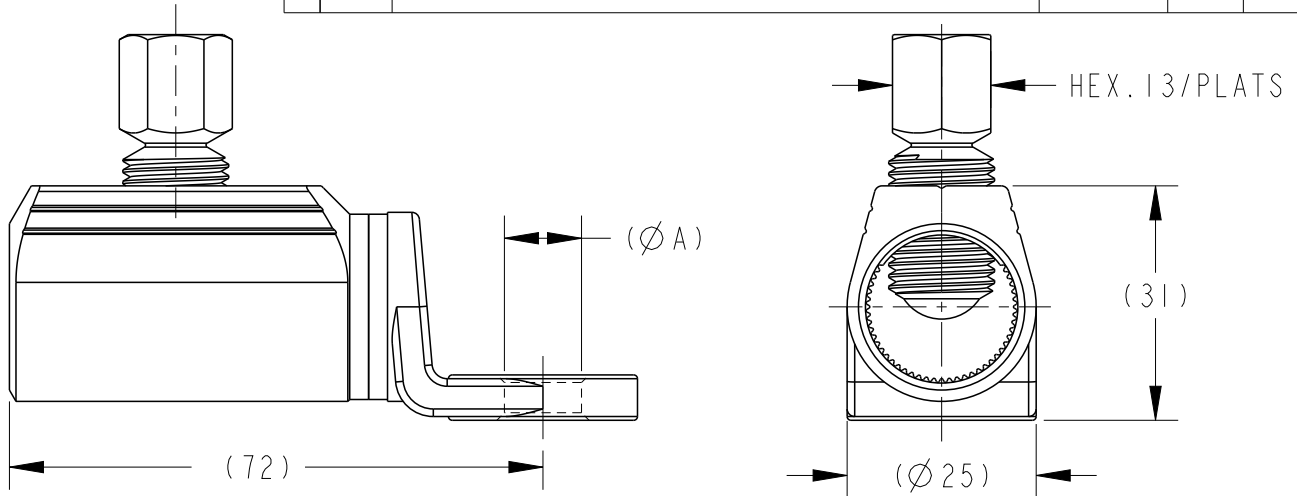


REVISIONS					
P	LTR REV	DESCRIPTION MODIFICATIONS	DATE	DWN DESS.	APVD APP.
	D	ECR-15-011337	25/08/15	JB	NA



1350532-3	EN SACHET PAR 4	VCXI 18/13	120 A 185mm <sup>2</sup>	13	45mm	20 Nm±2
1350532-1	4 IN PLASTIC BAG	VCXI 18	120 TO 185mm <sup>2</sup>	10		
PN	CONDITIONNEMENT PACKAGING	REFERENCE	CAPACITE CAPACITIE	ØA	LONG INTRODUCTION DU CABLE CABLE INTRODUCTION LENGTH	COUPLE RUPTURE NOMINAL TORQUE

RELEASED FOR PUBLICATION  
 LIBRE A LA DIFFUSION  
 ALL RIGHTS RESERVED.  
 TOUS DROITS RESERVES.  
 THIS DRAWING IS UNPUBLISHED.  
 DIFFUSION RESTREINTE  
 BY -  
 COPYRIGHT 20

DIMENSIONS: mm		DWN/DESSINE T. ROUSSEAU 22JUL99	MATERIAL MATIERE -	TOLERANCES UNLESS OTHERWISE SPECIFIED: TOLERANCES NON SPECIFIEES: -	
TOLERANCES UNLESS OTHERWISE SPECIFIED: TOLERANCES NON SPECIFIEES (SUIV NB DE DECIMALES): 0 PLC/DEC: ±0 1 PLC/DEC: ±0 2 PLC/DEC: ±0 3 PLC/DEC: ±0 4 PLC/DEC: ±0 ANGLES ±-		CHK/VERIFIE B. MILLOT	TE Connectivity		
		APVD/APPROUVE N. ALMEIDA			
		PRODUCT SPEC SPEC. PRODUIT NF C 63-061	NAME TITRE VCXI 18 - VCXI 18/13	RESTRICTED TO RESERVE A	
		APPLICATION SPEC SPEC. APPLICATION -	SIZE FORMAT A4	CAGE CODE 00779	DRAWING NO No PLAN C=1350532
WEIGHT MASSE APPROX. 110g		CUSTOMER DRAWING /PLAN CLIENT		UNIQUEMENT POUR REFERENCE	SCALE ECHELLE 1:1
				SHEET FEUILLE 1	OF DE 1
				REV D	