

THIS DRAWING IS UNPUBLISHED.

RELEASED FOR PUBLICATION

JAN ,2006.

REVISIONS

© COPYRIGHT 2006 By -

ALL RIGHTS RESERVED.

TODOS LOS DERECHOS RESERVADOS.

P	LTR	DESCRIPTION	DATE	DWN	APVD
	F	PER ECR-15-006368	05MAY05	RZ	MC

NOTES:

1 SINGLE PACKING: ONE CONNECTOR PER LABELED BAG PACKAGED. LABELED PER TEC-107-115

2 TRAY PACKAGED

3 Au PLATING

4 ELECTRICAL CHARACTERISTICS

FREQUENCY RANGE:	DC - 4 GHz
NOMINAL IMPEDANCE:	50 Ohm
INSULATION RESISTANCE:	1000 MOhm
WORKING VOLTAGE:	250 Volts RMS at Sea Level
DIELECTRIC WITHSTAND VOLTAGE:	750 Volts RMS Max
CONTACT RESISTANCE:	
CENTER CONTACT:	6.00 mOhm Max
OUTER CONTACT:	1.00 mOhm Max

5 MECHANICAL CHARACTERISTICS

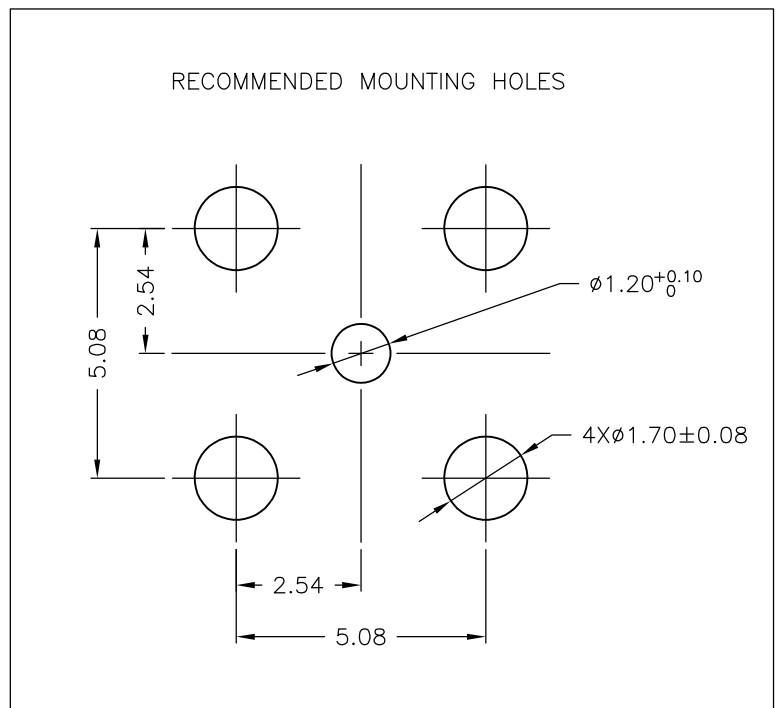
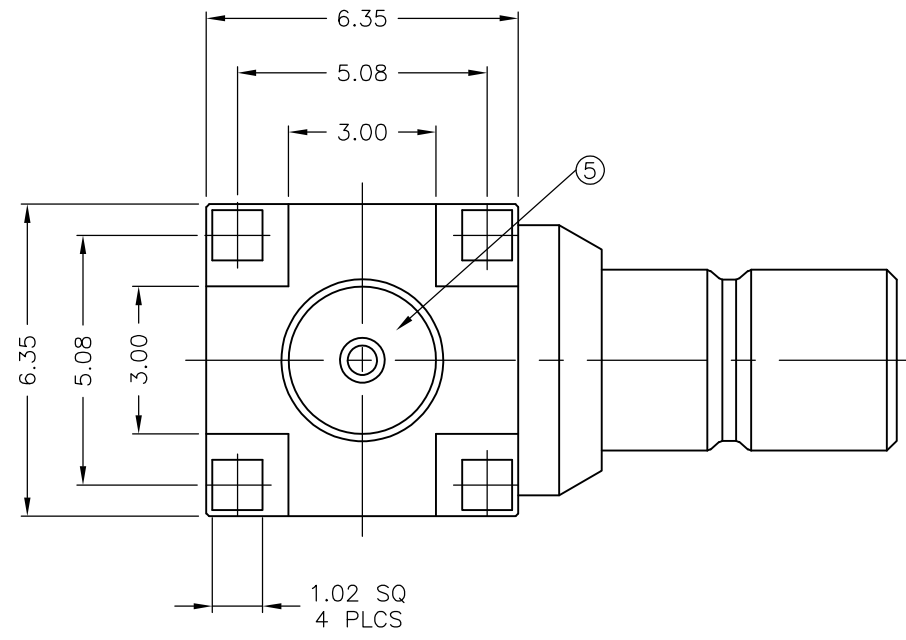
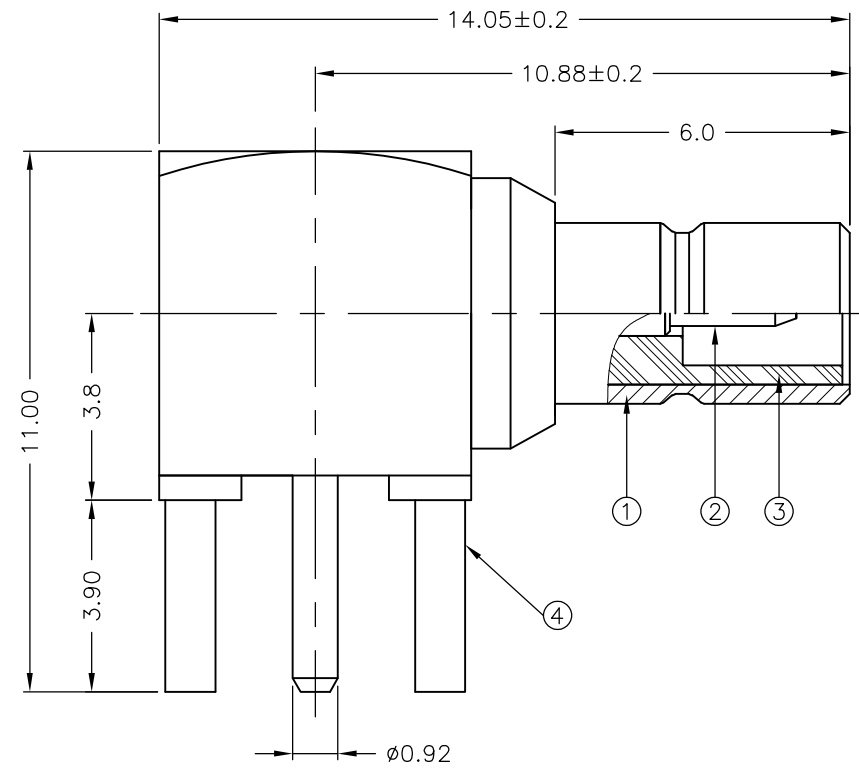
DURABILITY: 500 Cycles Min

6 ENVIRONMENTAL CHARACTERISTICS

OPERATING TEMPERATURE: -65 to +165 DegC

7 FOR TECHNICAL DATA REFER TO YOUR LOCAL TE CONNECTIVITY SALES OFFICE

8 ALL DIMENSIONS ARE NOMINAL FOR REFERENCE ONLY UNLESS OTHERWISE STATED



QTY	QTY PER ASSY	MATERIAL	DESCRIPTION	ITEM
1	1	PTFE	INSULATION	5
1	1	BRASS	BODY	4
1	1	PTFE	INSULATION	3
1	1	BRASS	CONTACT	2
1	1	BRASS	BODY	1
6--0	1--0			

THIS DRAWING IS A CONTROLLED DOCUMENT.		DWN	J.SANDWELL	12JAN06
DIMENSIONS: mm		CHK	S.PARLOW	12JAN06
TOLERANCES UNLESS OTHERWISE SPECIFIED:		APVD	F.WHEELER-KING	12JAN06
0 PLC ± -		NAME		
1 PLC ± 0.2		SMB ELBOW PCB SOCKET 50 OHM		
2 PLC ± 0.15		-		
3 PLC ± 0.1		-		
4 PLC ± -		-		
ANGLES ± 5'		SIZE	A3	CAGE CODE
MATERIAL	SEE TABLE	FINISH	-	DRAWING NO
CUSTOMER DRAWING		WEIGHT	-	G-1337481
UNIQUEMENT		SCALE	NTS	RESTRICTED TO
SHEET		1 OF 1	REV	F