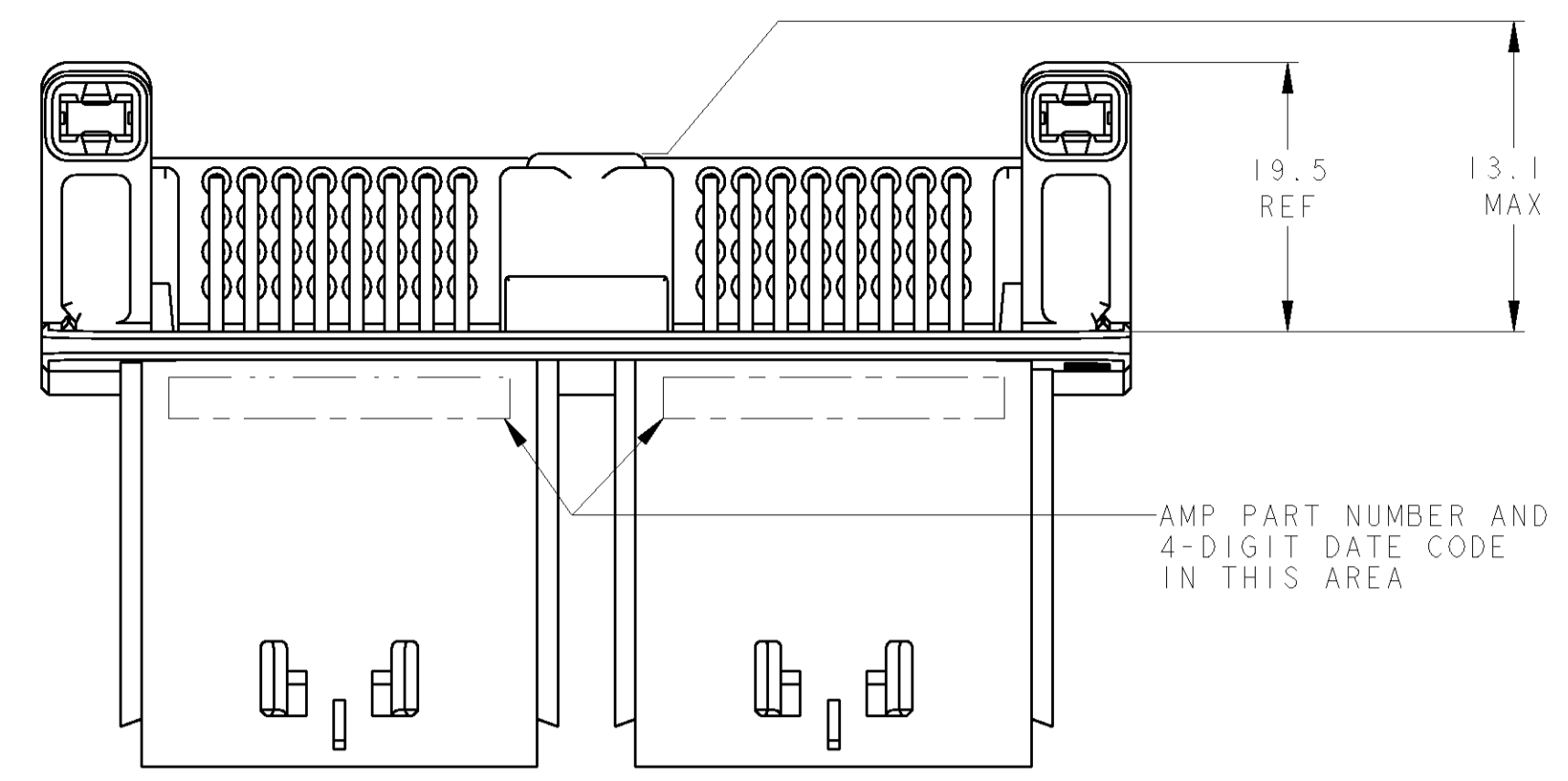
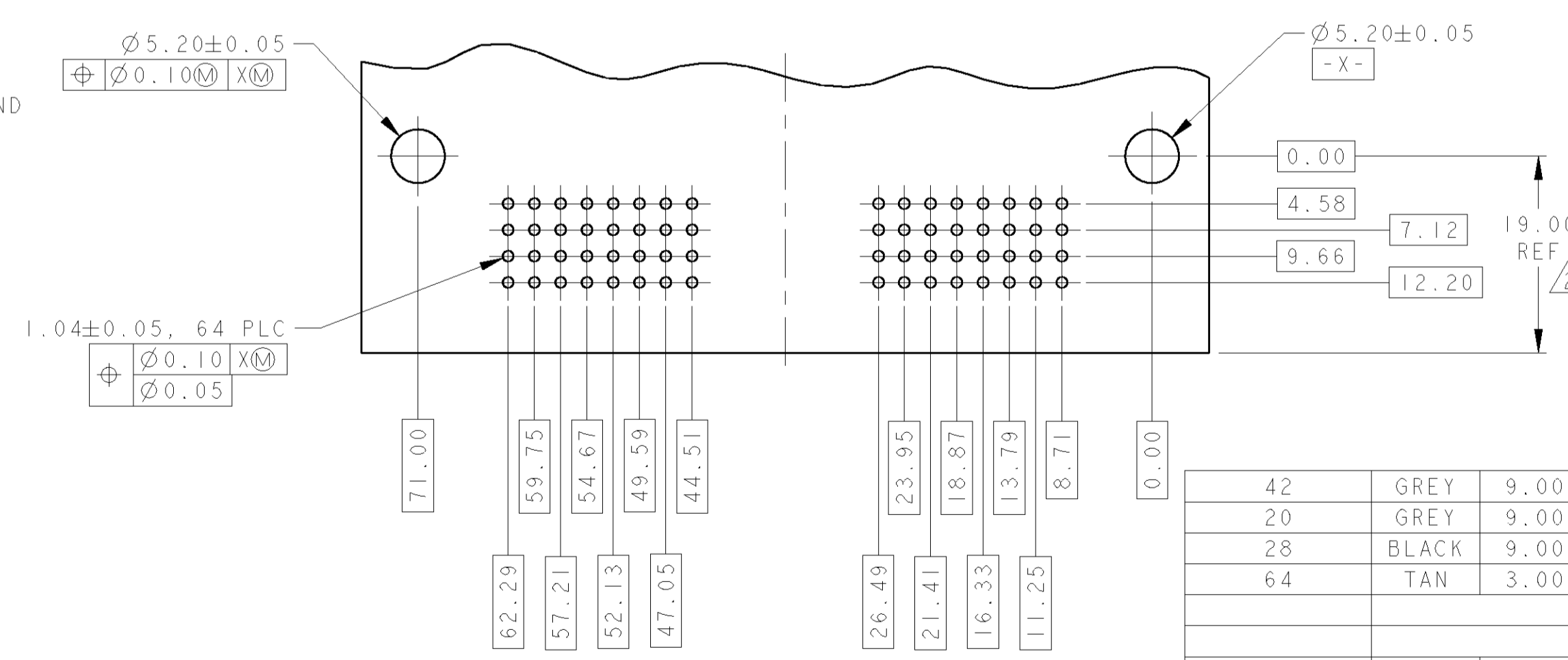
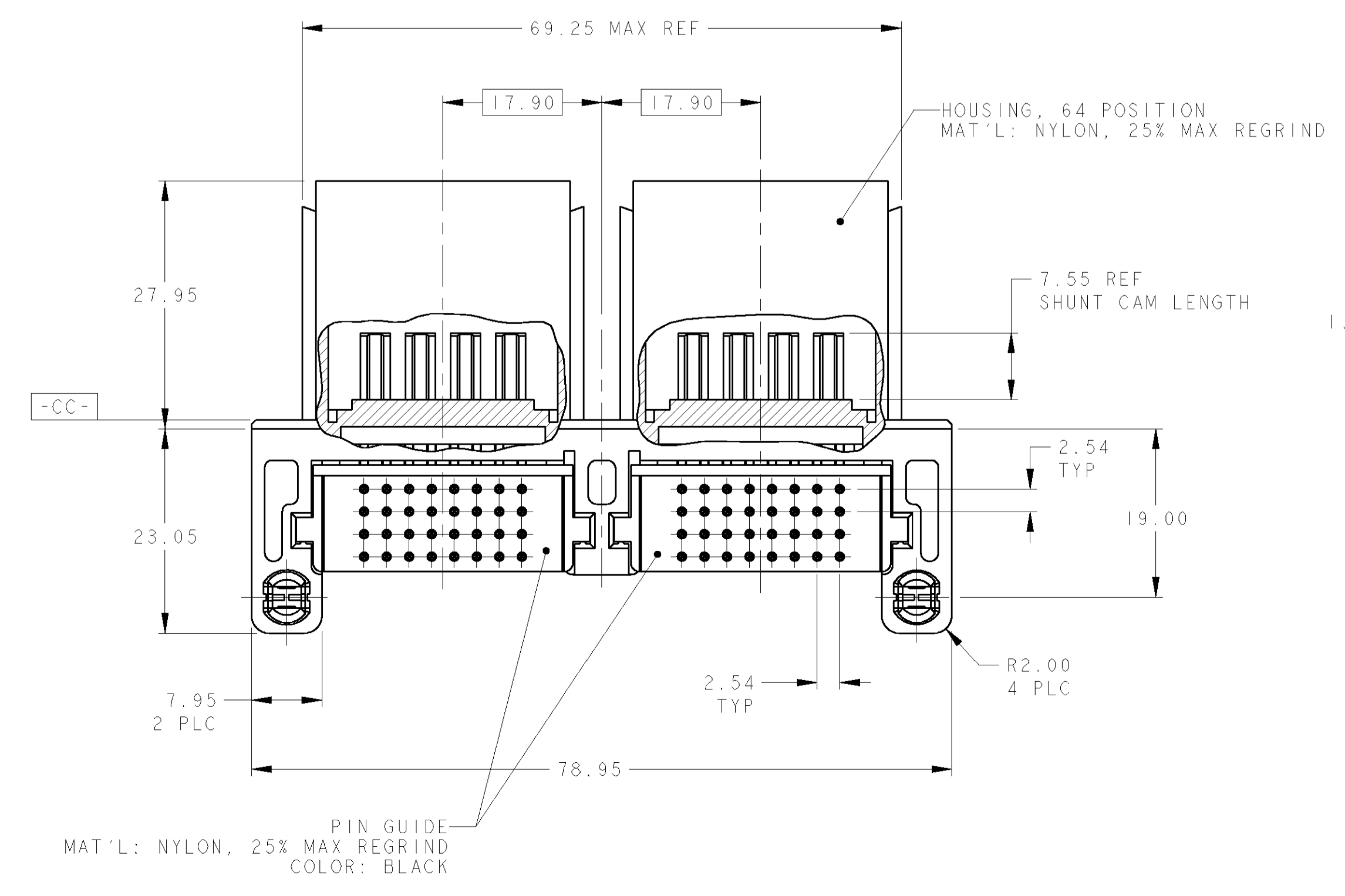
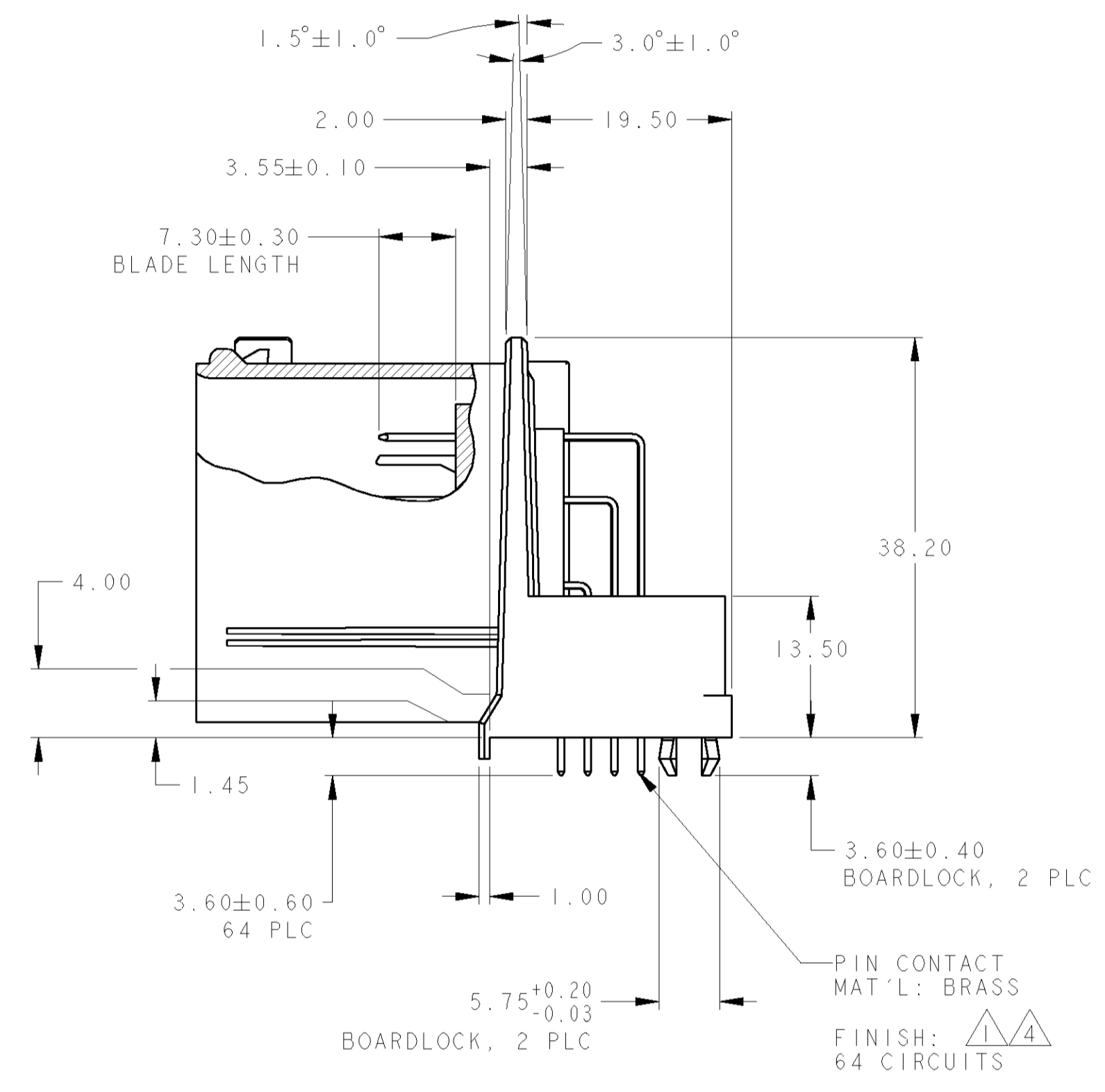
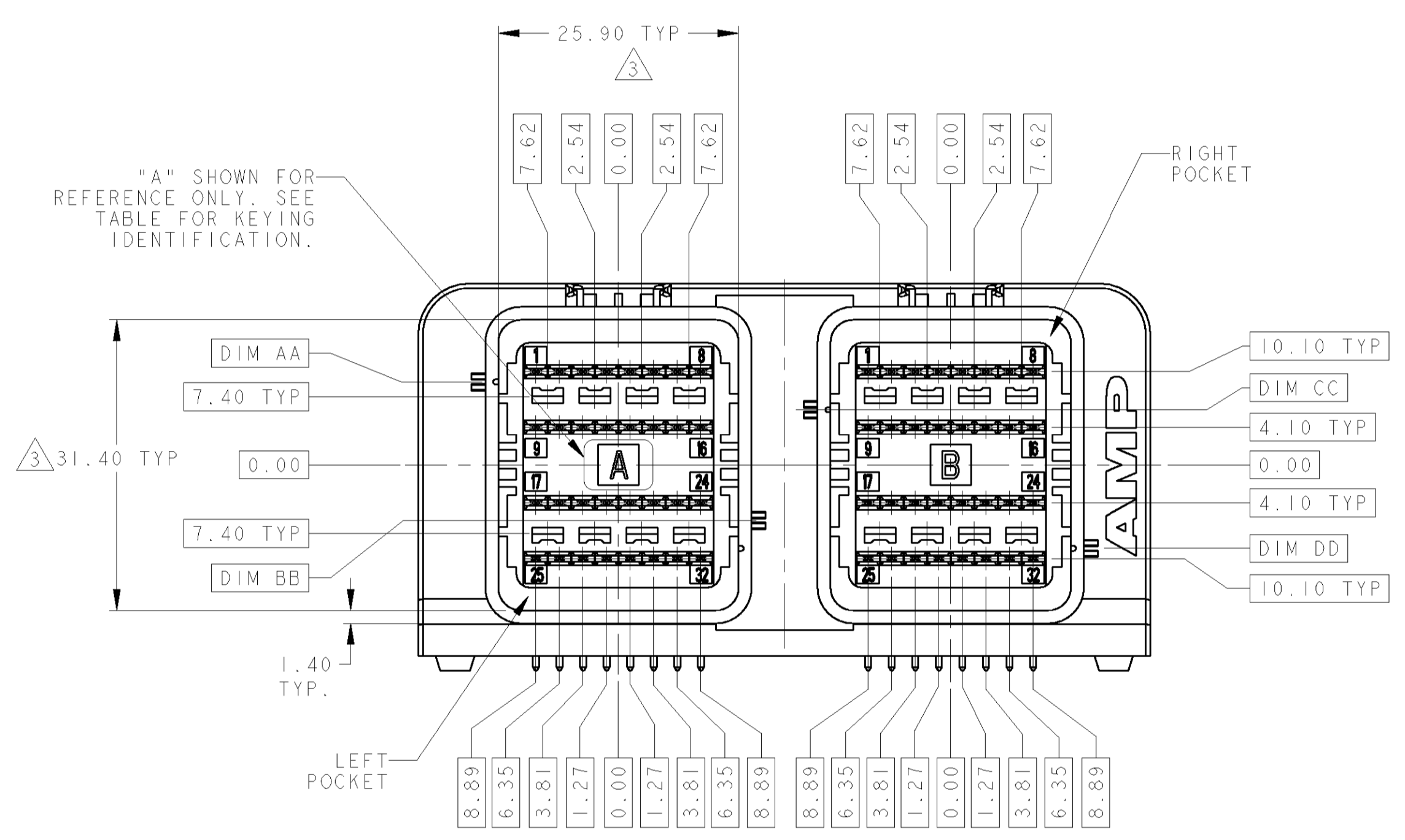


LOC	DIST	REVISIONS			
P	LTR	DESCRIPTION	DATE	BY	APPD
H		REVISED PER EC 0K80-0002-03	15JAN2003	AH	WB
J		REVISED PER EC 0K80-0093-03	24APR2003	AH	MS
JI		REVISED PER EC 0K80-0147-03	03JUN2003	DA	TS
K		REV PER 0K80-0340-03	18NOV2003	AG	MS



- 1 PLATED WITH 0.00076 MIN THICK GOLD IN MATING AREA, 0.0038 MIN THICK TIN ON SOLDER TAIL, ALL OVER 0.0020 MIN THICK NICKEL
- 2 RECOMMENDED DIMENSION. CUSTOMER TO DETERMINE ACTUAL LENGTH.
- 3 MEASURE AT [-CC-].
- 4 PART MEET SOLDERABILITY REQUIREMENT PER EIA-364-52.
- 5 SEE TERMINAL LOCATION TABLE ON SHEET TWO.



SUGGESTED P.C. BOARD LAYOUT (HEADER SIDE OF BOARD)  
 SCALE 2:1

TERMINALS PER ASSY	COLOR	DD	CC	BB	AA	LEFT POCKET	RIGHT POCKET	PART NUMBER
42	GREY	9.00	6.00	6.00	9.00	A	B	1326017-9
20	GREY	9.00	6.00	7.50	7.50	AI	B	1326017-7
28	BLACK	9.00	6.00	6.00	9.00	A	B	1326017-6
64	TAN	3.00	6.00	6.00	9.00	A	BI	1326017-5
								1326017-4
								1326017-3
64	GREY	9.00	6.00	7.50	7.50	AI	B	1326017-2
64	BLACK	9.00	6.00	6.00	9.00	A	B	1326017-1

DIMENSIONS: mm		TOLERANCES UNLESS OTHERWISE SPECIFIED:		DWG: F. KINSEY 30NOV99		Tyco Electronics Harrisburg, PA 17105-3608	
MATERIAL: SEE CALLOUT		FINISH: SEE CALLOUT		CHK: LT LE 08DEC99		NAME: HEADER ASSEMBLY, 64 WAY AIR BAG	
MATERIAL: SEE CALLOUT		FINISH: SEE CALLOUT		APPD: LT LE 08DEC99		SIZE: CAGE CODE DRAWING NO: 00779 C=1326017	
MATERIAL: SEE CALLOUT		FINISH: SEE CALLOUT		PRODUCT SPEC: SEE USCAR-2 8/97		RESTRICTED TO: -	
MATERIAL: SEE CALLOUT		FINISH: SEE CALLOUT		APPLICATION SPEC: -		SCALE: 2:1 SHEET 1 OF 2 REV K	
MATERIAL: SEE CALLOUT		FINISH: SEE CALLOUT		WEIGHT: -		CUSTOMER DRAWING	

