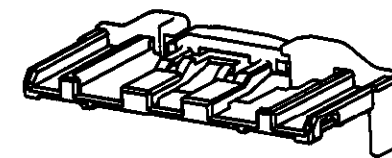
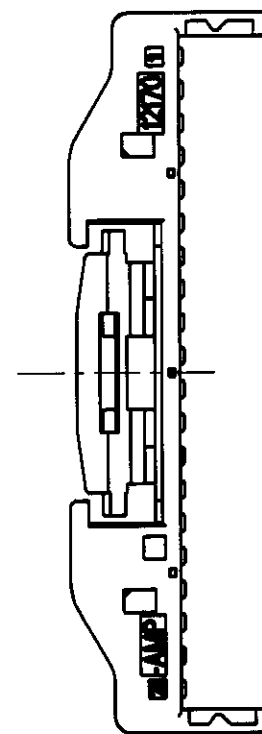
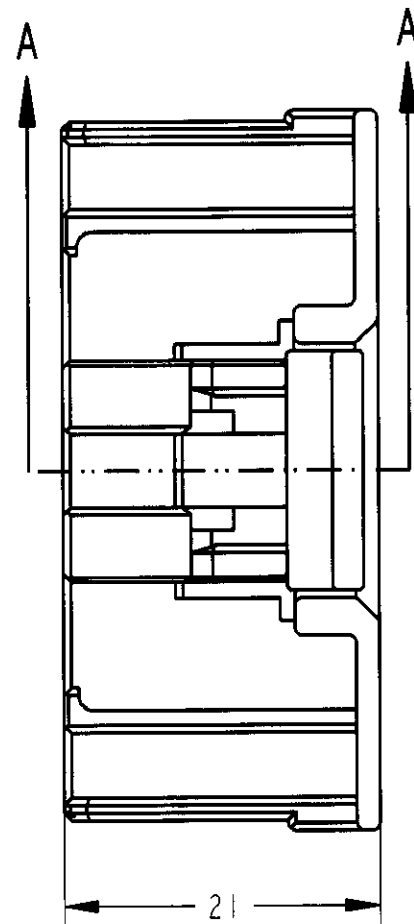
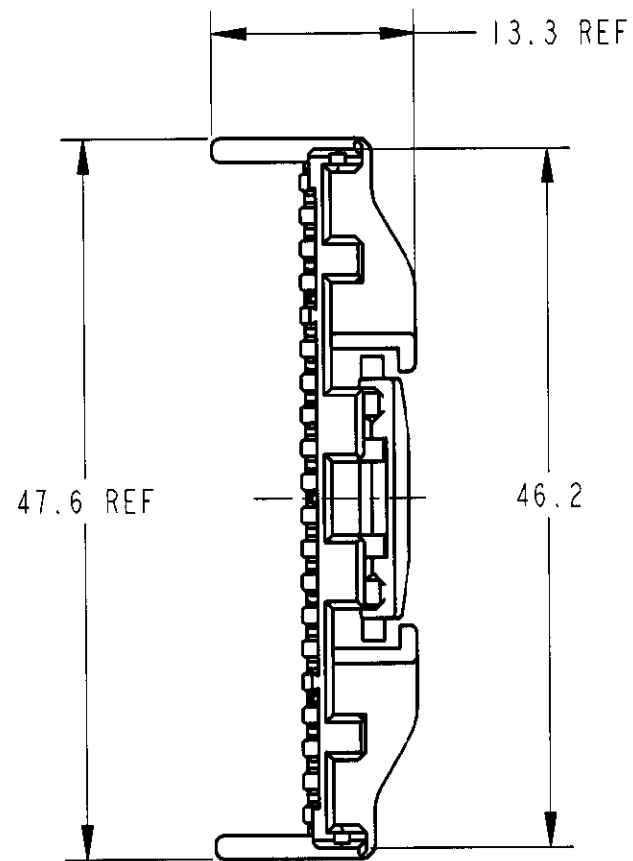
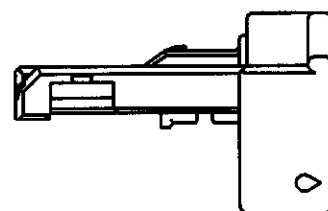
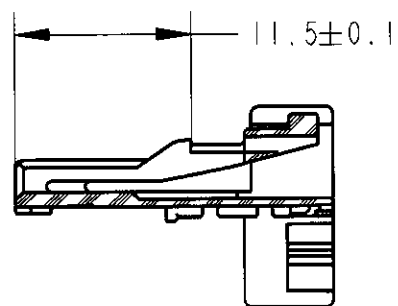


LOC	DIST	REVISIONS					
		P	LTR	DESCRIPTION	DATE	DWN	APVD
J		0		作成 RELEASED (FJ00-0314-00)	22FEB00	S.A	N.S



スケール 1:1



断面 A-A

- 1. 取扱説明書: 411-5912
- 2. 本品はプラグアセンブリ型番 1318691 を装着して使用する。
- 3. 嵌合相手型番: 1318384

- 1. INSTRUCTION SHEET: 411-5912
- 2. LOCK HOUSING MUST BE USED WITH PLUG ASSEMBLY P/N: 1318691
- 3. PART NUMBER OF HOUSINGS TO BE MATED: 1318384

NATURAL	1318695-1
COLOR	PART NUMBER

THIS DRAWING IS A CONTROLLED DOCUMENT FOR AMP INCORPORATED. IT IS SUBJECT TO CHANGE AND THE CONTROLLING ENGINEERING ORGANIZATION SHOULD BE CONTACTED FOR THE LATEST REVISION.		DWN S. AMEMIYA 22FEB00	AMP Tyco Electronics AMP K.K. Kawasaki, Japan
DIMENSIONS: 単位: 英 mm		CHK N. SAI 22FEB00	
TOLERANCES UNLESS OTHERWISE SPECIFIED: 一般公差 = ±0.3		APVD N. SAI 22FEB00	NAME 名称 40POSITION LOCK HOUSING 025 IDC CONNECTOR
0-PLC ± 1-PLC ± 2-PLC ± 3-PLC ± 4-PLC ± ANGLES ±3°		PRODUCT SPEC 製品規格 108-5660	
MATERIAL 材料 PBT	FINISH 仕上 SEE TABLE	APPLICATION SPEC 取付適用規格 114-5276	SIZE A3
		WEIGHT 2.7g	CAGE CODE 番号 00779
		CUSTOMER DRAWING	DRAWING NO ①-1318695
			SCALE 尺度 2:1
			SHEET 1
			OF 1
			REV 0