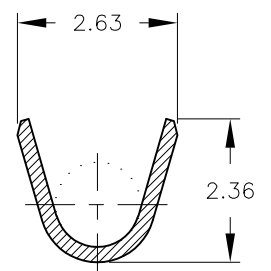
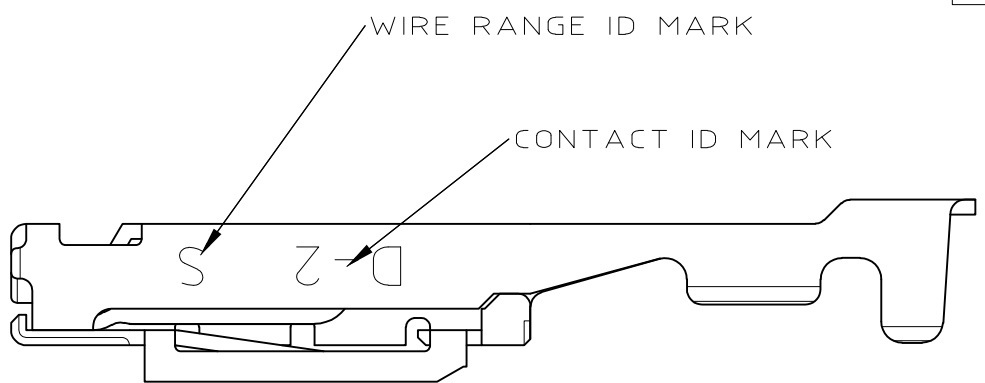


THIS DRAWING IS UNPUBLISHED. RELEASED FOR PUBLICATION
 © COPYRIGHT - By - ALL RIGHTS RESERVED.

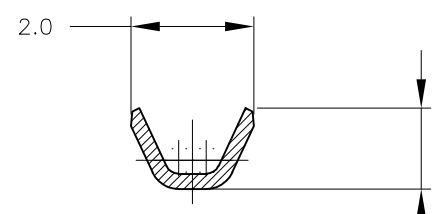
LOC	DIST	REVISIONS				
P	LTR	DESCRIPTION	DATE	DWN	APVD	
J	-	E	REVISED PER ECR-15-011723	08AUG2015	Y.O	E.T



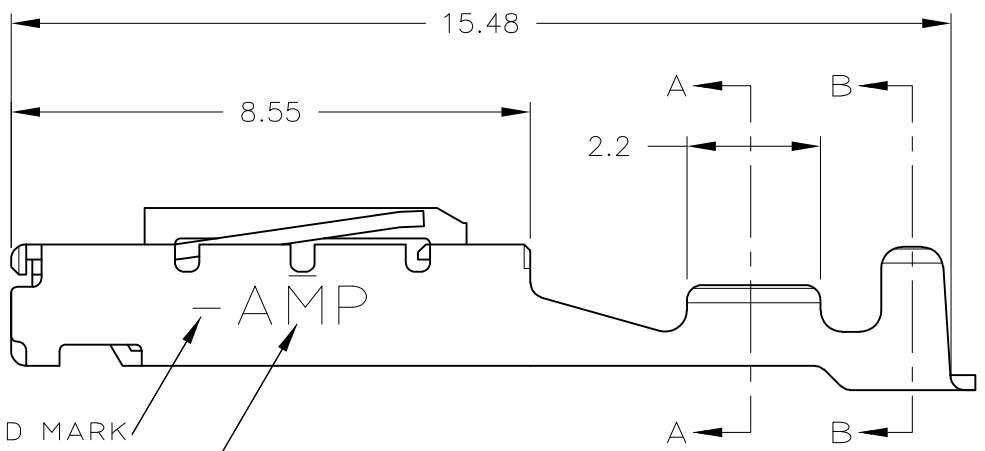
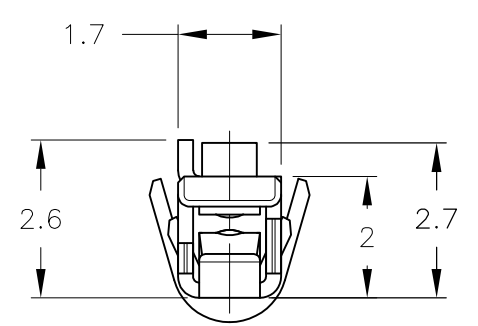
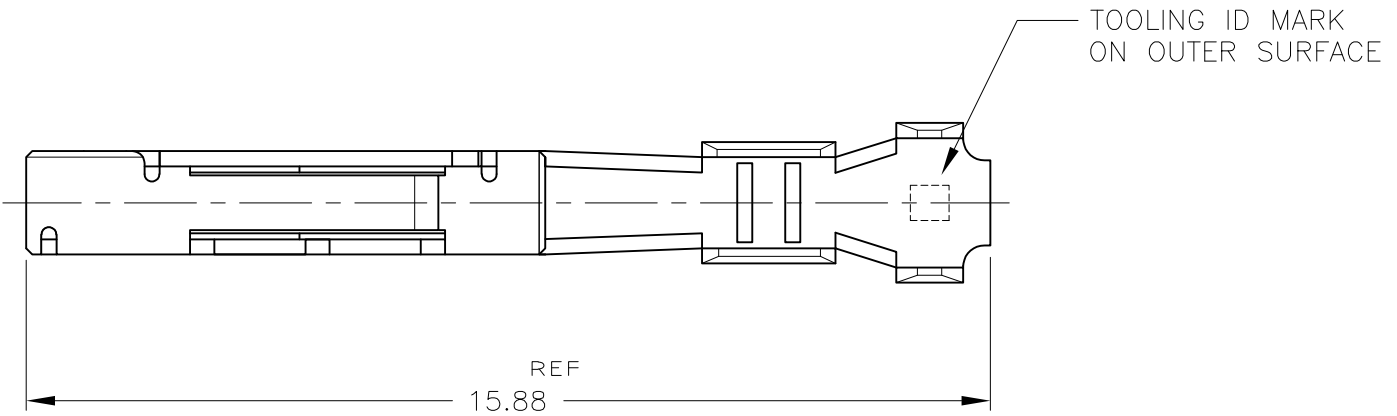
SECT B-B



-1:AS SHOWN



SECT A-A



NOTES
 1. FINISH(CONTACT AREA):0.38μmMIN GOLD PLATING OVER Ni PLATING

WIRE RANGE	INSULATION DIA
AWG #28~#24	0.88~1.5

THIS DRAWING IS A CONTROLLED DOCUMENT.		DWN K.IKEDA 7/DEC/'98	TE Connectivity REC CONTACT S SIZE,L/P DYNAMIC D-2 SERIES		
DIMENSIONS: mm		CHK N.MATSUBARA 7/DEC/'98			
TOLERANCES UNLESS OTHERWISE SPECIFIED: : ±0.3 >10 : ±0.35 >30 : ±0.4 ANGLE : ±3°		APVD I.HASEGAWA 7/DEC/'98	PRODUCT SPEC 108-5619		RESTRICTED TO
MATERIAL (COPPER ALLOY)		FINISH SEE NOTE	APPLICATION SPEC 114-5258		
		WEIGHT	SIZE A3	CAGE CODE 00779	DRAWING NO C-1318108
		CUSTOMER DRAWING		SCALE 8:1	SHEET 1 OF 1
				REV E	