

4

3

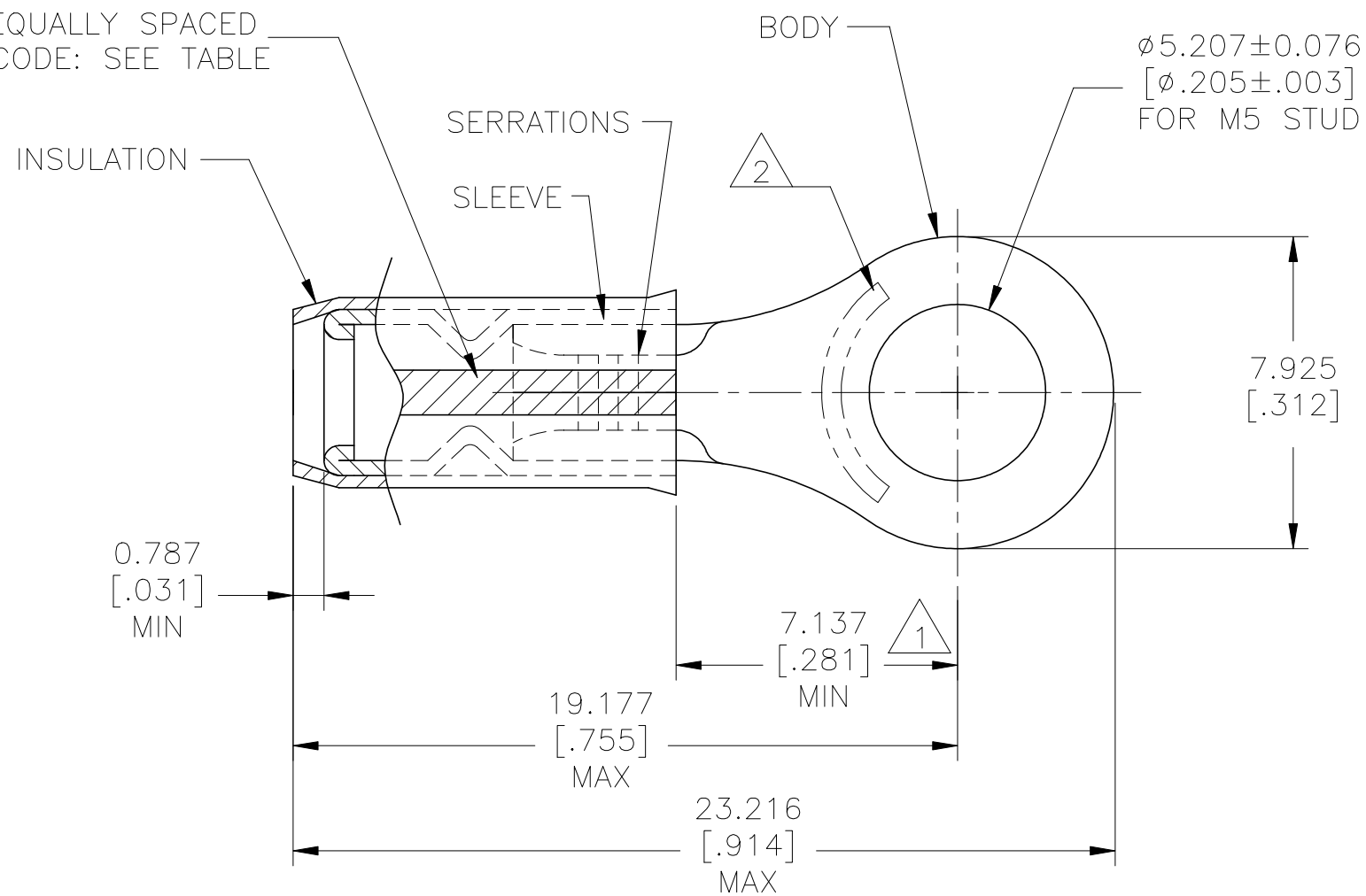
2

1

© - TE Connectivity. All Rights Reserved.

REVISIONS					
P	LTR	DESCRIPTION	DATE	DWN	APVD
	F	REVISED PER ECR-23-175984	30MAY2023	BB	DSC

3 STRIPES EQUALLY SPACED FOR COLOR CODE: SEE TABLE



- 1 DIMENSION APPLIES FROM EDGE OF METAL WIRE BARREL TO CENTER OF STUD HOLE.
- 2 STAMP "AMP 22-16*" APPROX AS SHOWN
- 3. WIRE INSULATION DIAMETER:SEE TABLE
- 4. BODY MATERIAL THK: 0.787±0.051[.031±.002]
- 5 MATERIAL:
BODY & SLEEVE - COPPER PER ASTM B152
INSULATION - NYLON
- 6 FINISH:
BODY & SLEEVE - TIN PLATE 0.00254[.000100]
MIN EXT THK PER ASTM B545
INSULATION COLOR - RED

QTY	PACKAGE TYPE	STRIPE COLOR	WIRE INSULATION DIAMETER	WIRE SIZE	PART NUMBER
500	LOOSE PIECE	WHITE	1.422[.056] - 2.794[.110]	18	131648-3
500	LOOSE PIECE	RED	1.168[.046] - 2.794[.110]	20	131648-1

AMP INCORPORATED CUSTOMER SERVICE SYSTEMS		MAX RECOMMENDED OPERATING TEMPERATURE: 105°C [221°F] MAX VOLTAGE RATING: 300 V MAX WIRE RANGE: CIRC MIL AREA: 20 0.60mm ² [1,186] 18 0.96mm ² [1,900] STRANDED	THIS DRAWING IS A CONTROLLED DOCUMENT.		DWN 12MAY2023 LINGANATHAN P CHK 12MAY2023 SUVARNA, CHETHAN D APVD 12MAY2023 SUVARNA, CHETHAN D PRODUCT SPEC - APPLICATION SPEC 114-2157 WEIGHT -				
			DIMENSIONS: mm [INCHES]	TOLERANCES UNLESS OTHERWISE SPECIFIED: 0 PLC ± - 1 PLC ± - 2 PLC ± - 3 PLC ± 0.127[.005] 4 PLC ± - ANGLES ± -	MATERIAL 5 FINISH 6		NAME TERMINAL, RING TONGUE, IR, PIDG™ WIRE SIZE: 20 & 18 AWG		SIZE A3
FOR ADDITIONAL PRODUCT INFORMATION OR COPIES OF DRAWINGS AND TECHNICAL DOCUMENTS PRODUCT INFORMATION CENTER 1-800-522-6752	FOR APPLICATION TOOLING INFORMATION TOOLING ASSISTANCE CENTER 1-800-722-1111	THIS DRAWING IS A CONTROLLED DOCUMENT FOR AMP INCORPORATED. IT IS SUBJECT TO CHANGE AND THE CONTROLLING ENGINEERING ORGANIZATION SHOULD BE CONTACTED FOR THE LATEST REVISION.		CUSTOMER DRAWING		SCALE NTS	SHEET 1 of 1	REV F	