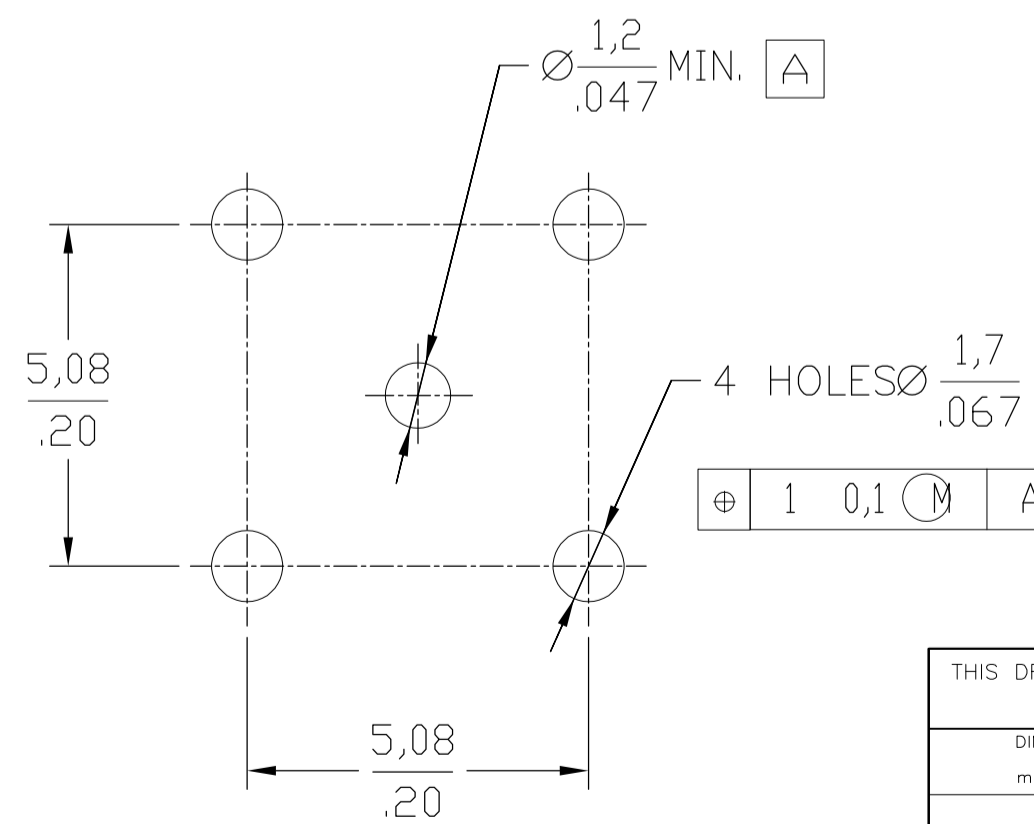
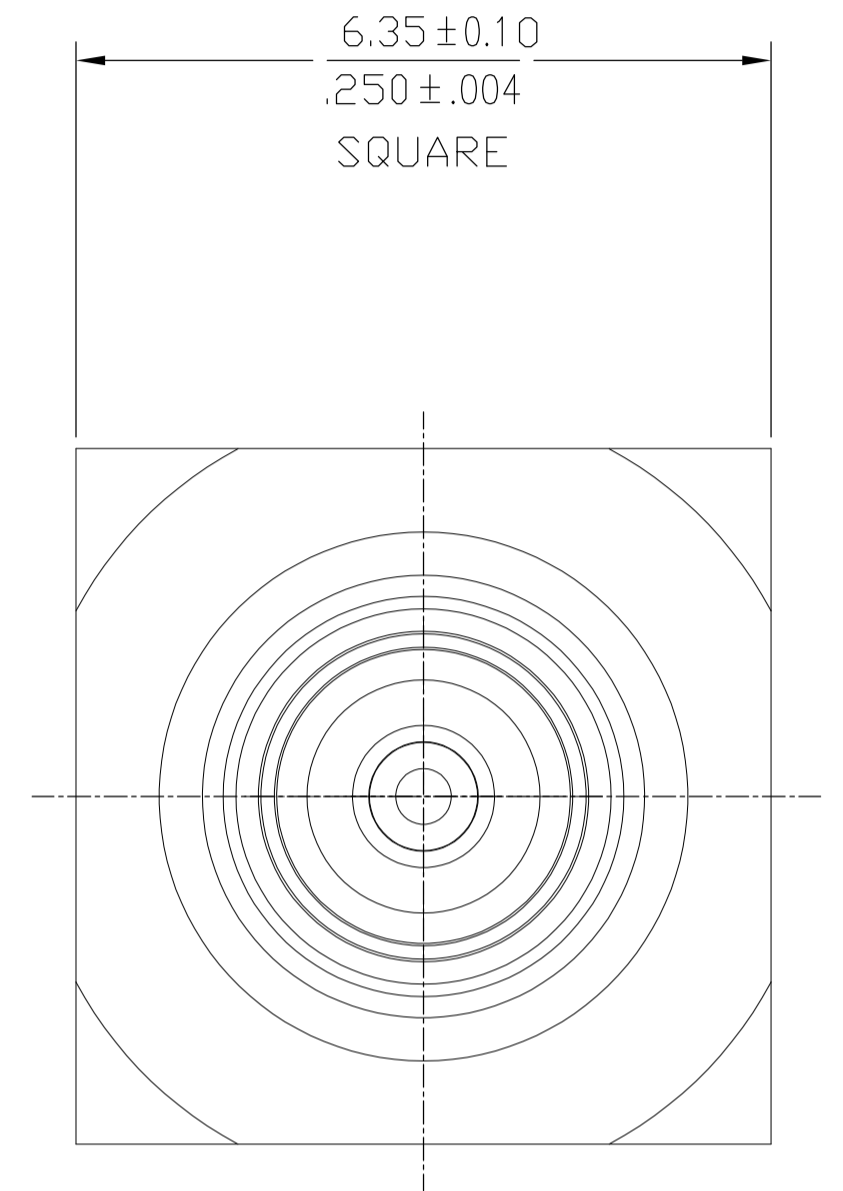
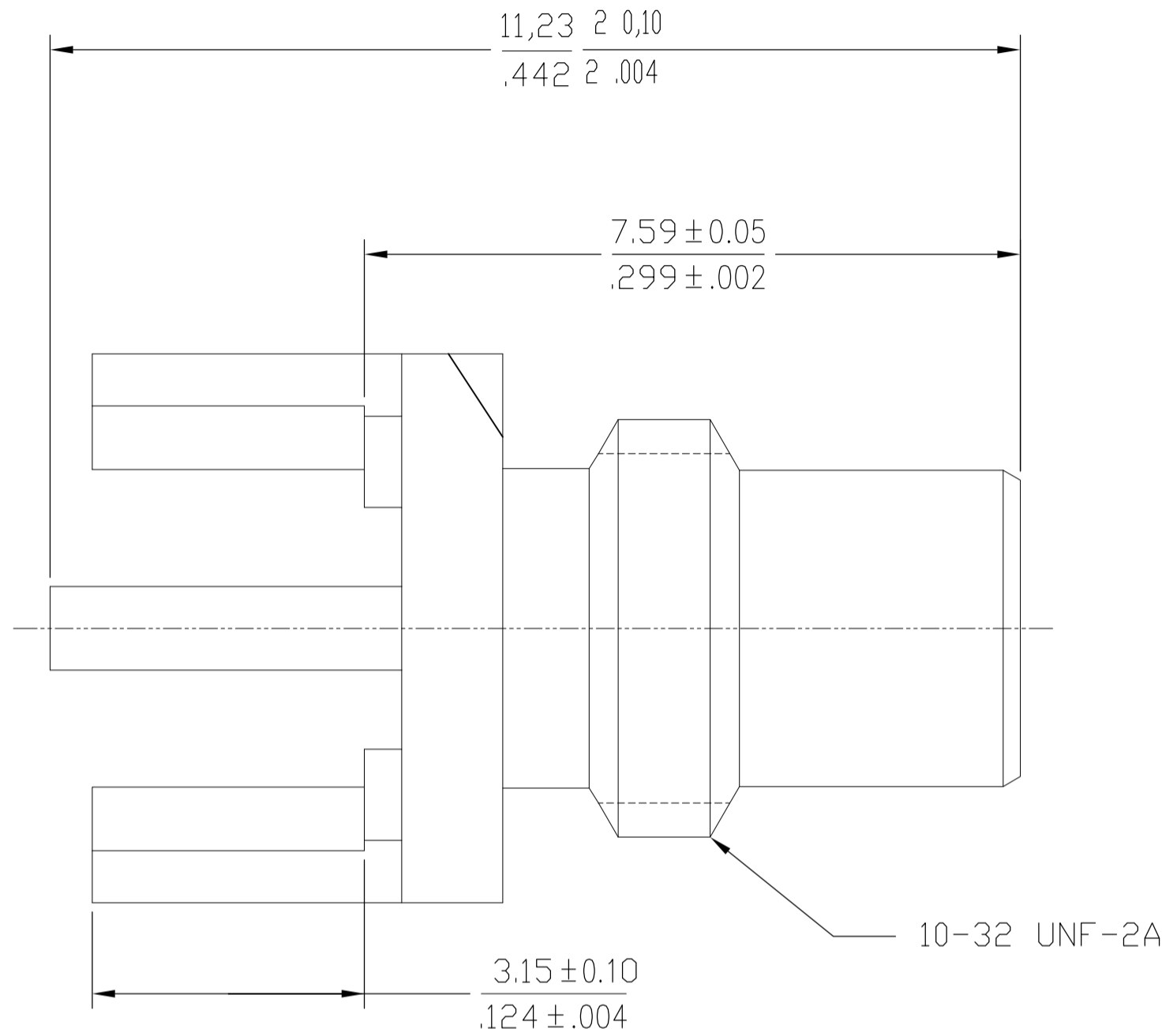
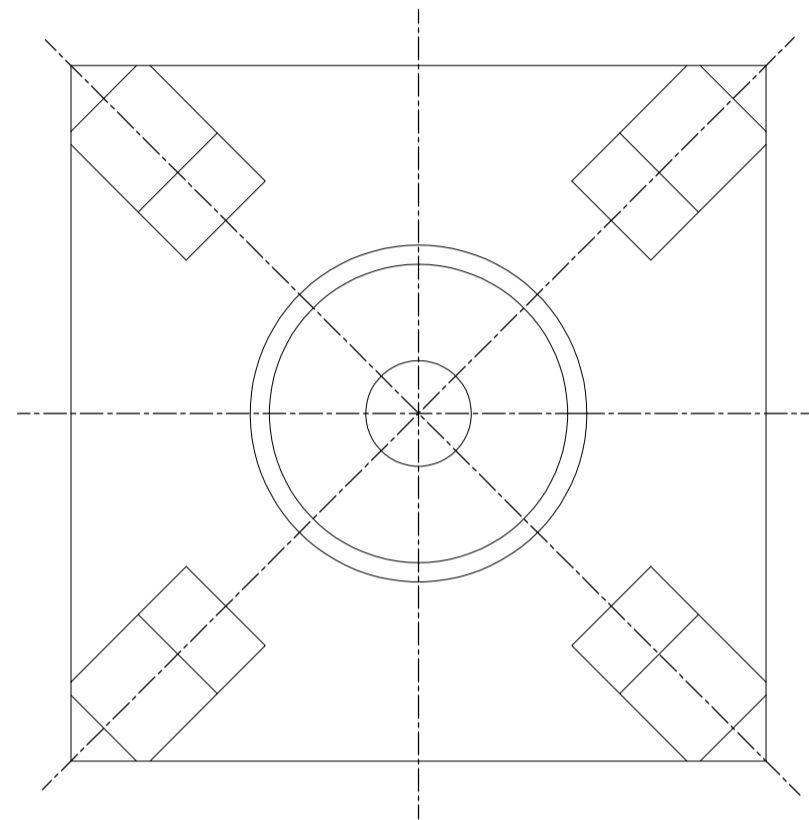


THIS DRAWING IS UNPUBLISHED. RELEASED FOR PUBLICATION  
 © COPYRIGHT - By - ALL RIGHTS RESERVED.

LOC		DIST		REVISIONS			
P	LTR	DESCRIPTION		DATE	DWN	APVD	
HC	00	A	ECR-12-005726	27MAR12	RK	MY	



P.B. MOUNTING DETAIL  
(N.T.S.)

1310901-1  
PART #

JACK HOUSING MALE CONTACT	BRASS PER ASTM-B-16, 1/2 HD	GOLD PER MIL-G-45204
DIELECTRICS COMPONENT	PTFE PER ASTM-D-1457	N/A
COMPONENT	MATERIAL	FINISH

THIS DRAWING IS A CONTROLLED DOCUMENT.		DWN VM 07-27-01	<b>STE</b> TE Connectivity	
DIMENSIONS: mm [INCHES]	TOLERANCES UNLESS OTHERWISE SPECIFIED:	CHK -	NAME SMB P.B. SOCKET C65N07G999X	
	±.127 MM	APVD -	PRODUCT SPEC -	
	±.005 IN	-	APPLICATION SPEC -	
MATERIAL -	ANGLES FINISH ± 1°	WEIGHT -	SIZE A2	CAGE CODE 26805
CUSTOMER DRAWING			DRAWING NO. 1310901	RESTRICTED TO -
			SCALE 15:1	SHEET 1 of 1