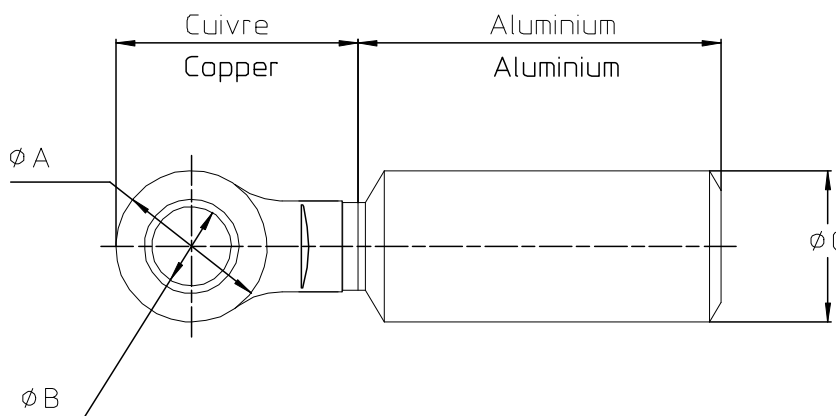
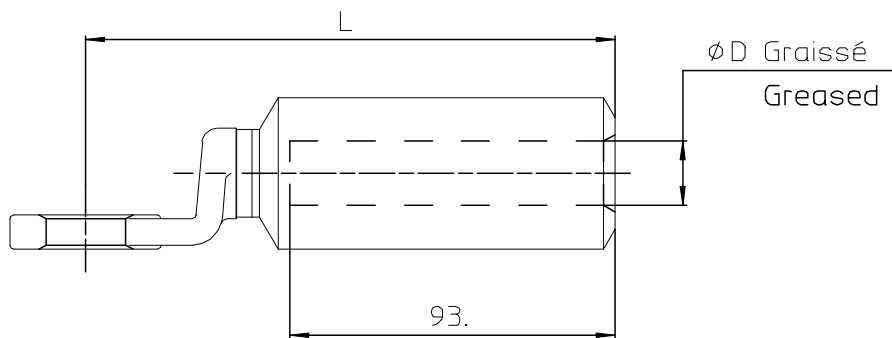


LOC FH	DIST 2	REVISIONS				
P	LTR REV	DESCRIPTION MODIFICATIONS	DATE	DWN DESS.	APVD APP.	
	0	Creation	22-Dec-99	CA	JT	
	A	Mise a jour sections	20-Dec-02	CA	JT	

MARQUAGE/MARKING

Reference/logo/date / DIE



PN	REFERENCE	SECTION mm2	DIMENSIONS					
			ØA	ØB	ØC	ØD	L	DIE
1306957-1	XCX 300 C5AU 300	300	36	16,5	40	23,3	137	MC-5E 5E
1306962-1	XCX 400 C5AU 400	400				26		

RELEASED FOR PUBLICATION

THIS DRAWING IS UNPUBLISHED.
DIFFUSION RESENTE AMP

BY AMP INCORPORATED. ALL RIGHTS RESERVED. TOUS DROITS RESERVES.

© COPYRIGHT 19

DIMENSIONS: mm	DWN /DESSINE ANDRE	20-dec-02	MATERIAL MATIERE	-	FINISH FINITION	-
	CHK /VERIFIE GOLDITE	-	 AMP SIMEL 21220 Gevrey Chambertin FRANCE			
TOLERANCES UNLESS OTHERWISE SPECIFIED PER TOLERANCES NON SPECIFIEES SELON :	APVD /APPROUVE THIARD	-				
	PRODUCT SPEC SPEC. PRODUIT	-	SIZE FORMAT	A4	CAGE CODE	00779
	APPLICATION SPEC SPEC. APPLICATION	C-33090-1	DRAWING NO No PLAN	© = 1306957		
	WEIGHT MASSE APPROX.	-	CUSTOMER DWG / PLAN CLIENT	UNIQUEMENT POUR REFERENCE	SCALE ECHELLE	-
				SHEET FEUILLE	1 OF 1 DE 1	REV A