

4

3

2

1

THIS DRAWING IS UNPUBLISHED.

RELEASED FOR PUBLICATION

- . - .

LOC

DIST

REVISIONS

© COPYRIGHT - BY TYCO ELECTRONICS CORPORATION. ALL RIGHTS RESERVED.

G

86

P

LTR

DESCRIPTION

DATE

DWN

APVD

B

REVISED PER ECR-10-013857

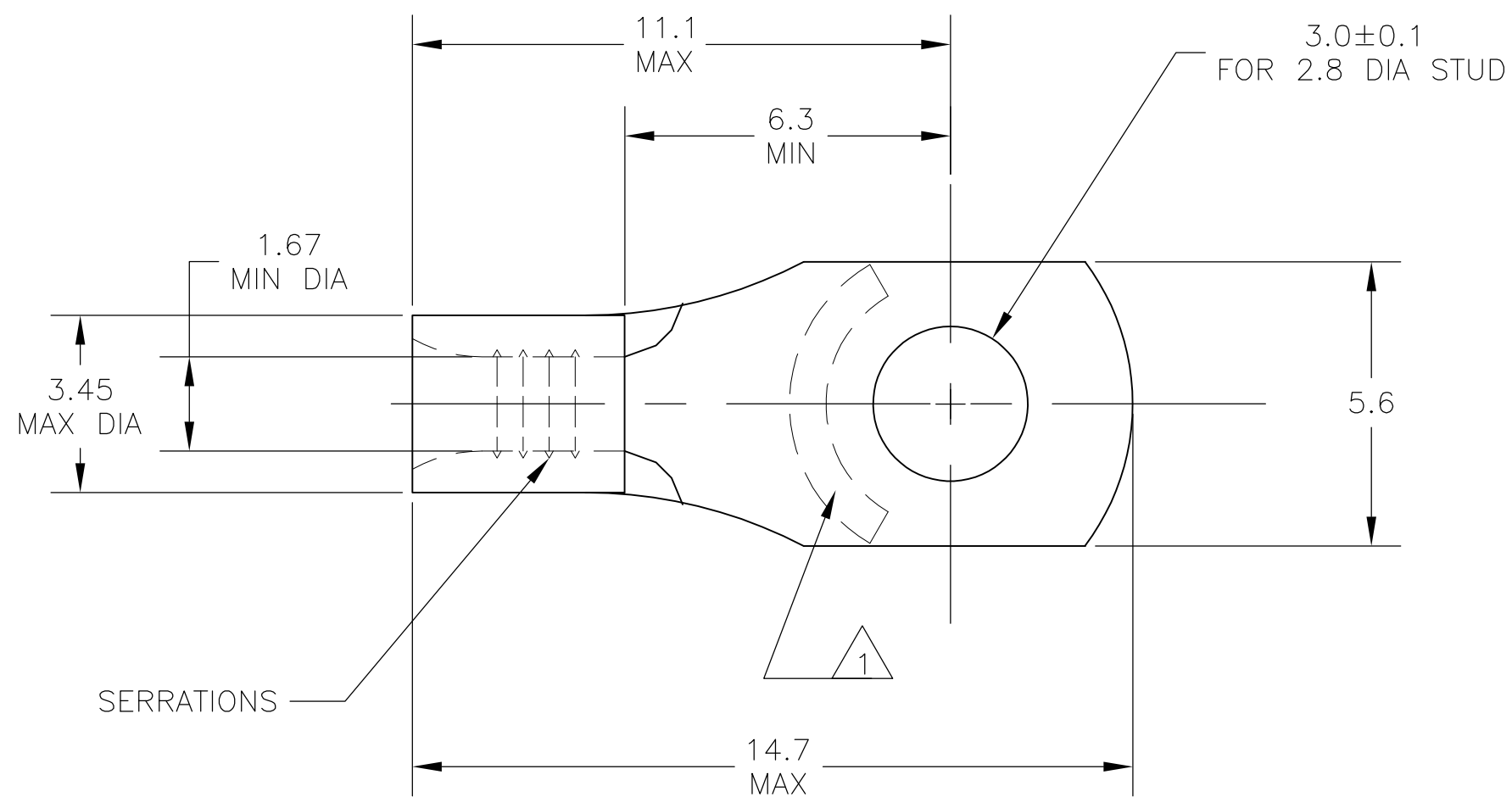
07JUL10

HMR

TM

1 STAMP "AMP 22-16 \*", LOCATED APPROX AS SHOWN.

2 TONGUE THICKNESS IS  $0.8 \pm 0.05$



130450

PART NO

THIS DRAWING IS A CONTROLLED DOCUMENT.

DWN jr\_ruth 04APR08

CHK TOM MICHIELUTTI 04APR08

APVD TOM MICHIELUTTI 04APR08

PRODUCT SPEC

APPLICATION SPEC

WEIGHT -

CUSTOMER DRAWING

Tyco Electronics Corporation  
Harrisburg, PA 17105-3608

NAME

TERMINAL BODY, RING TONGUE  
WIRE SIZE: 22-16 AWG

SIZE

CAGE CODE

DRAWING NO

RESTRICTED TO

A3 00779

G-130450

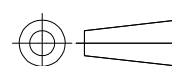
SCALE 8:1

SHEET 1 OF 1

REV B

DIMENSIONS:

MM INCHES



TOLERANCES UNLESS OTHERWISE SPECIFIED:

0 PLC ± -  
1 PLC ± -  
2 PLC ± 0.3  
3 PLC ± -  
4 PLC ± -  
ANGLES ± 5°

MATERIAL

COPPER PER ASTM B-152

FINISH

TIN PLATED