

4

3

2

1

THIS DRAWING IS UNPUBLISHED.

RELEASED FOR PUBLICATION

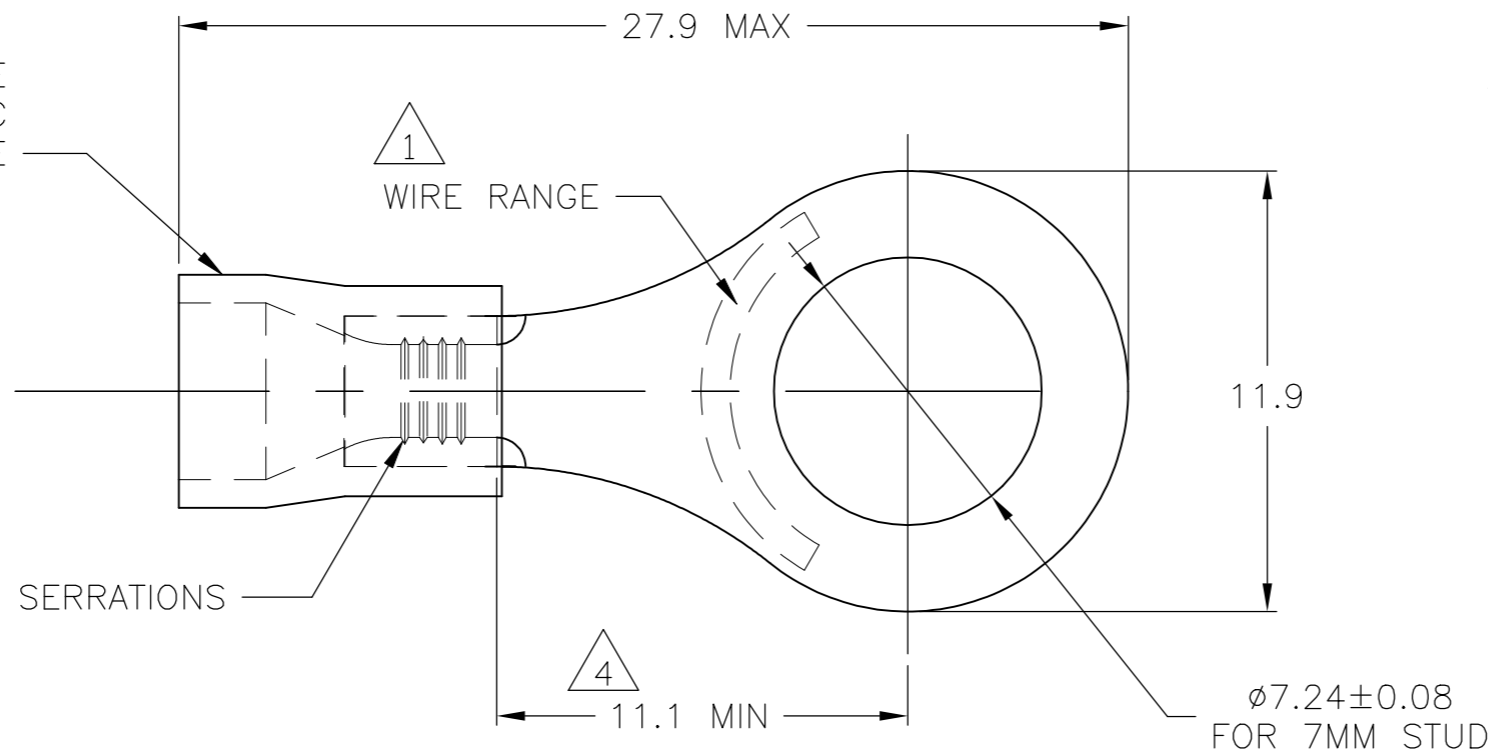
© COPYRIGHT - TE Connectivity Ltd.

ALL RIGHTS RESERVED.

REVISIONS

P	LTR	DESCRIPTION	DATE	DWN	APVD
	E	REV PER ECR 05-009599	06DEC05	JR	TM
	E1	REVISED PER ECO-17-014338	14MAY2018	RS	DR

INSULATION SLEEVE
MATERIAL: PVC
COLOR: BLUE



- 1 WIRE SIZE IS 16-14 AWG
- 2 WIRE INSULATION DIA: 3.0-4.9
- 3 BODY MATERIAL THICKNESS IS 0.80±0.05
- 4 DIMENSION APPLIES FROM EDGE OF METAL WIRE BARREL TO CENTER OF STUD HOLE.
- 5 600 VOLT MAX
- 6 CIRCULAR MIL AREA
2,050-5,180 (1.04mm²-2.62mm²)

TERMINAL BODY
MATERIAL: COPPER
FINISH: TIN PLATE

TAPE AND REEL	STANDARD	4000	2-130443-1
PACKAGING	LABELLING	QTY	PART NO

THIS DRAWING IS A CONTROLLED DOCUMENT.		DWN jr ruth 06DEC05	STE TE Connectivity Ltd.	
DIMENSIONS: mm		CHK T MICHIELUTTI 06DEC05		
TOLERANCES UNLESS OTHERWISE SPECIFIED:		APVD T MICHIELUTTI 06DEC05	NAME TERMINAL, RING TONGUE, PLASTI-GRIP,	
0 PLC ± -		PRODUCT SPEC	SIZE	
1 PLC ± 0.5		APPLICATION SPEC	CAGE CODE	
2 PLC ± -		114-2161	DRAWING NO	
3 PLC ± -		WEIGHT	RESTRICTED TO	
4 PLC ± -		CUSTOMER DRAWING	A3 00779 C-130443	
ANGLES ± 1°		SCALE	SHEET	
MATERIAL		5:1	1 OF 1	
FINISH		REV	E1	