

4

3

2

1

THIS DRAWING IS UNPUBLISHED.

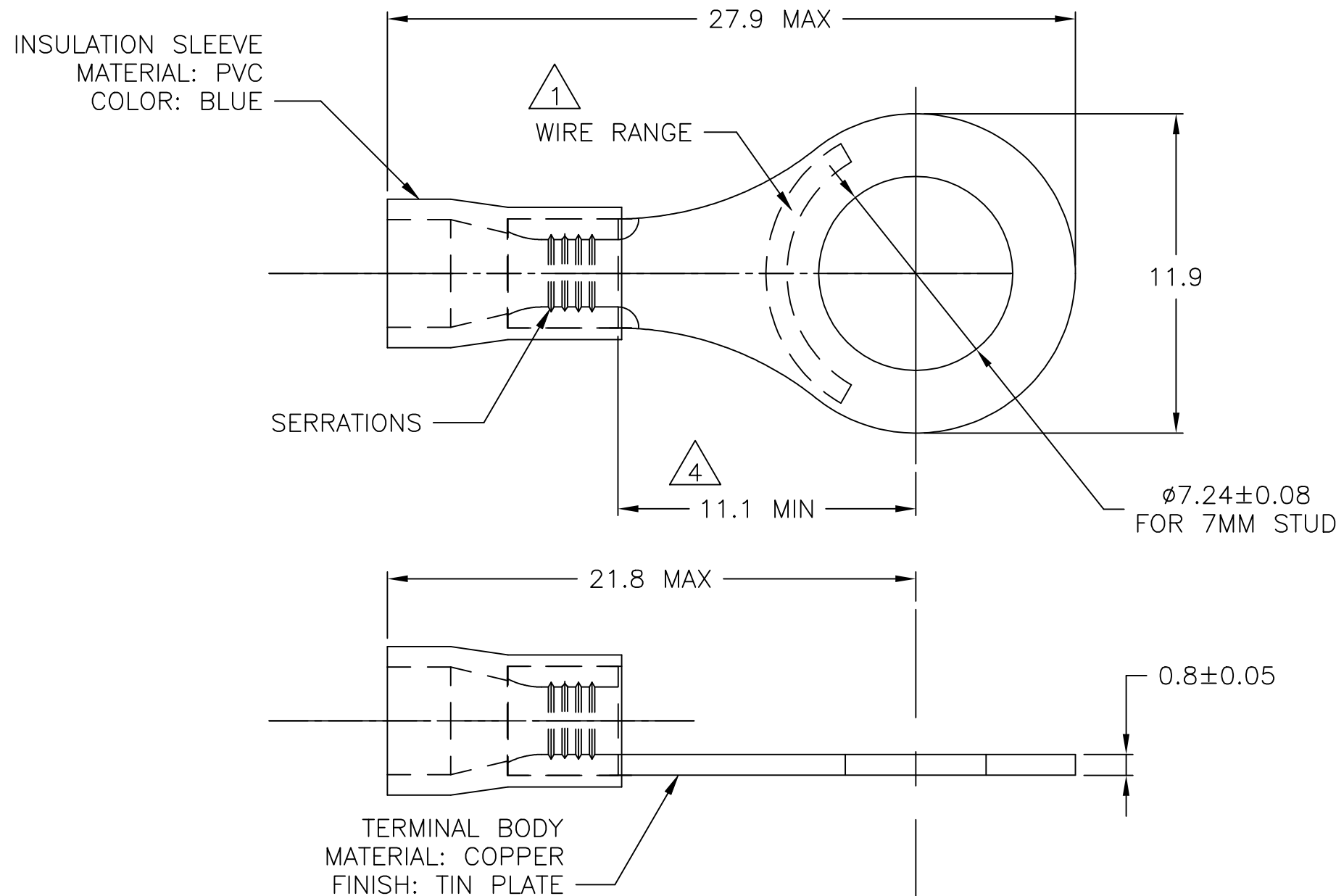
RELEASED FOR PUBLICATION

ALL RIGHTS RESERVED.

© COPYRIGHT - TE Connectivity Ltd.

REVISIONS

P	LTR	DESCRIPTION	DATE	DWN	APVD
E		REV PER ECR 05-009599	06DEC05	JR	TM
E1		REVISED PER ECO-17-014338	14MAY2018	RS	DR



- 1 WIRE SIZE IS 16-14 AWG
- 2 WIRE INSULATION DIA: 2.7-3.7
- 3 MATERIAL THICKNESS IS 0.80±0.05
- 4 DIMENSION APPLIES FROM EDGE OF METAL WIRE BARREL TO CENTER OF STUD HOLE.
- 5 600 VOLT MAX
- 6 CIRCULAR MIL AREA 2,050-5,180 ( 1.04mm<sup>2</sup>-2.62mm<sup>2</sup>)

TAPE AND REEL	STANDARD	4000	2-130442-1
PACKAGING	LABELLING	QTY	PART NO

THIS DRAWING IS A CONTROLLED DOCUMENT.		DWN jr_ruth 06DEC05	<b>STE</b> TE Connectivity Ltd.	
		CHK T MICHIELUTTI 06DEC05		
DIMENSIONS: mm		APVD T MICHIELUTTI 06DEC05	NAME	
TOLERANCES UNLESS OTHERWISE SPECIFIED:		PRODUCT SPEC	TERMINAL, RING TONGUE, PLASTI-GRIP,	
0 PLC ± -		APPLICATION SPEC	-	
1 PLC ± 0.5		114-2161	-	
2 PLC ± -		WEIGHT	-	
3 PLC ± -		CUSTOMER DRAWING	SIZE A3	RESTRICTED TO
4 PLC ± -			CAGE CODE 00779	DRAWING NO 130442
ANGLES ± 1°			SCALE 5:1	SHEET 1 of 1
MATERIAL -			REV E1	
FINISH -				