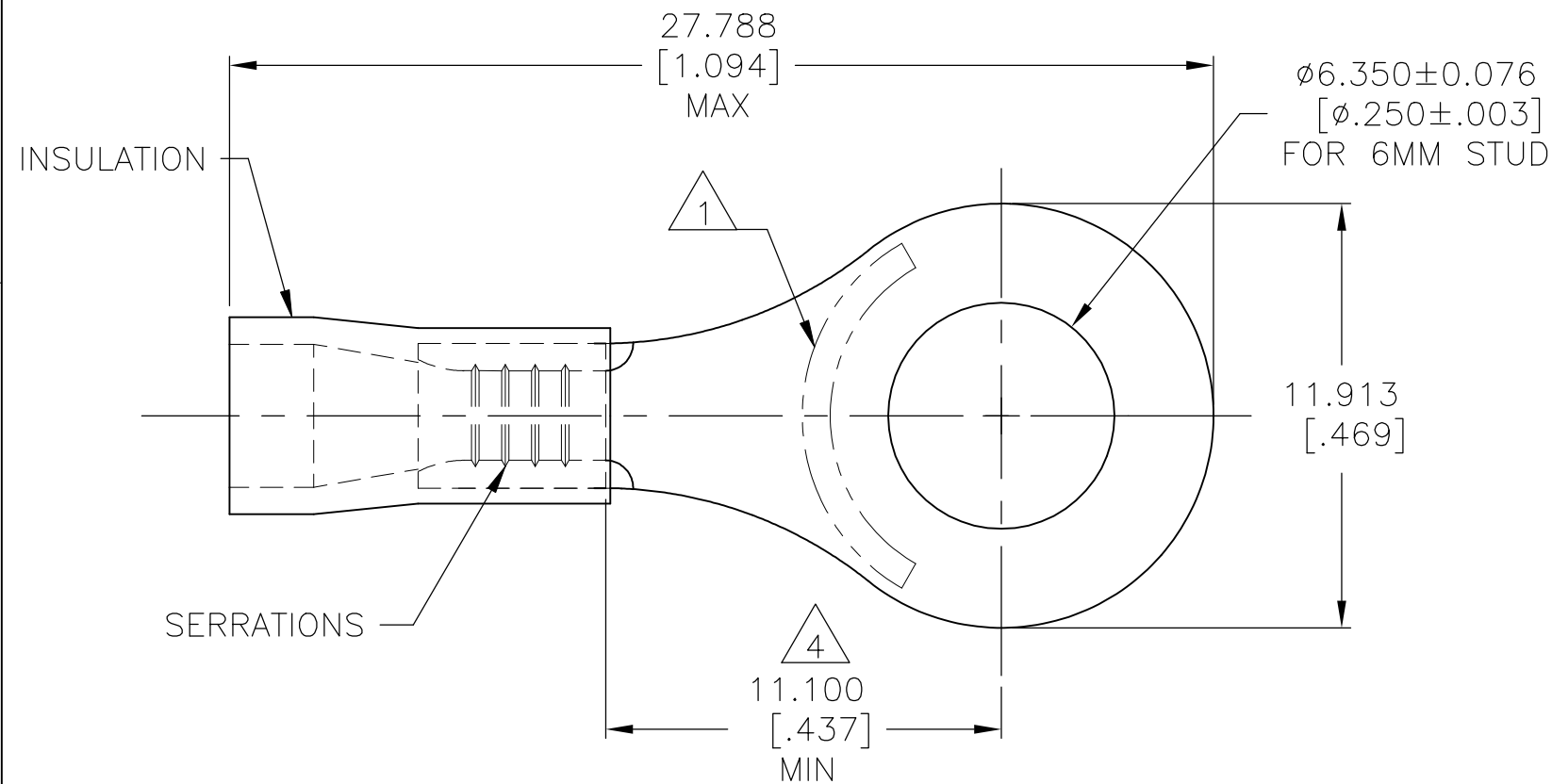
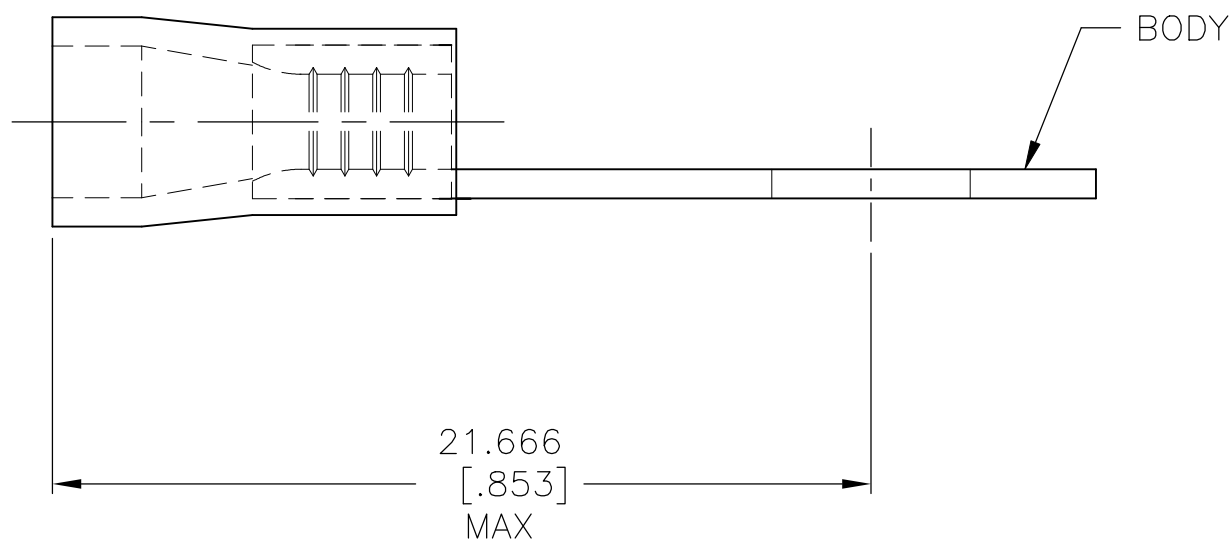


REVISIONS

P	LTR	DESCRIPTION	DATE	DWN	APVD
	E	REV PER ECR 05-009599	06DEC05	JR	TM
	E1	REVISED PER ECO-17-014338	16MAY2018	RS	DR



- 1 STAMP AMP 16-14* APPROX AS SHOWN
- 2 WIRE INSULATION DIA: 2.667-3.683 [.105-.145]
- 3 MATERIAL THICKNESS IS 0.787±0.051 [.031±.002]
- 4 APPLIES FROM EDGE OF METAL WIRE BARREL TO CENTER OF STUD HOLE
- 5 600 VOLT MAX
- 6 CIRCULAR MIL AREA 2,050-5,180 [1.04mm²-2.62mm²]
- 7 MAXIMUM TEMPRATURE 105°C [221°F]



TAPE & REEL	4000	2-130122-1
PACKAGING	QTY	PART NO

THIS DRAWING IS A CONTROLLED DOCUMENT.		DWN jr_ruth 06DEC05	STE TE Connectivity Ltd.		
DIMENSIONS: mm [INCHES]		CHK T MICHELUTTI 06DEC05			
TOLERANCES UNLESS OTHERWISE SPECIFIED:		APVD T MICHELUTTI 06DEC05	NAME TERMINAL, RING TONGUE, PLASTI-GRIP, 16-14 AWG		
		PRODUCT SPEC	-		
		APPLICATION SPEC	114-2161		
MATERIAL BODY: COPPER PER ASTM B152 INSULATION: PVC		WEIGHT	SIZE A3	CAGE CODE 00779	DRAWING NO C-130122
FINISH BODY: TIN PLATE PER ASTM B545 INSULATION: COLOR - BLUE		CUSTOMER DRAWING		RESTRICTED TO	-
			SCALE 5:1	SHEET 1 OF 1	REV E1