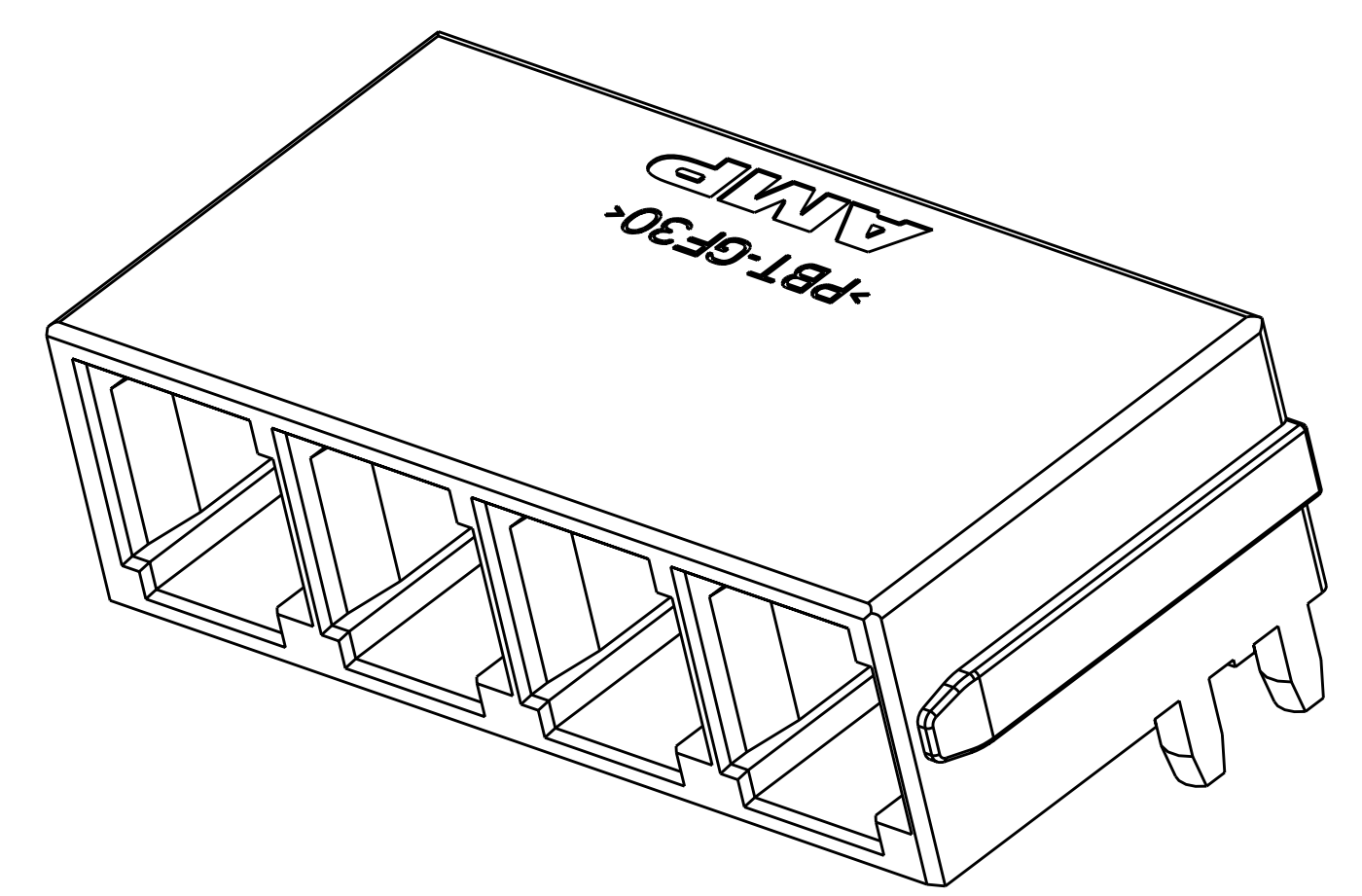
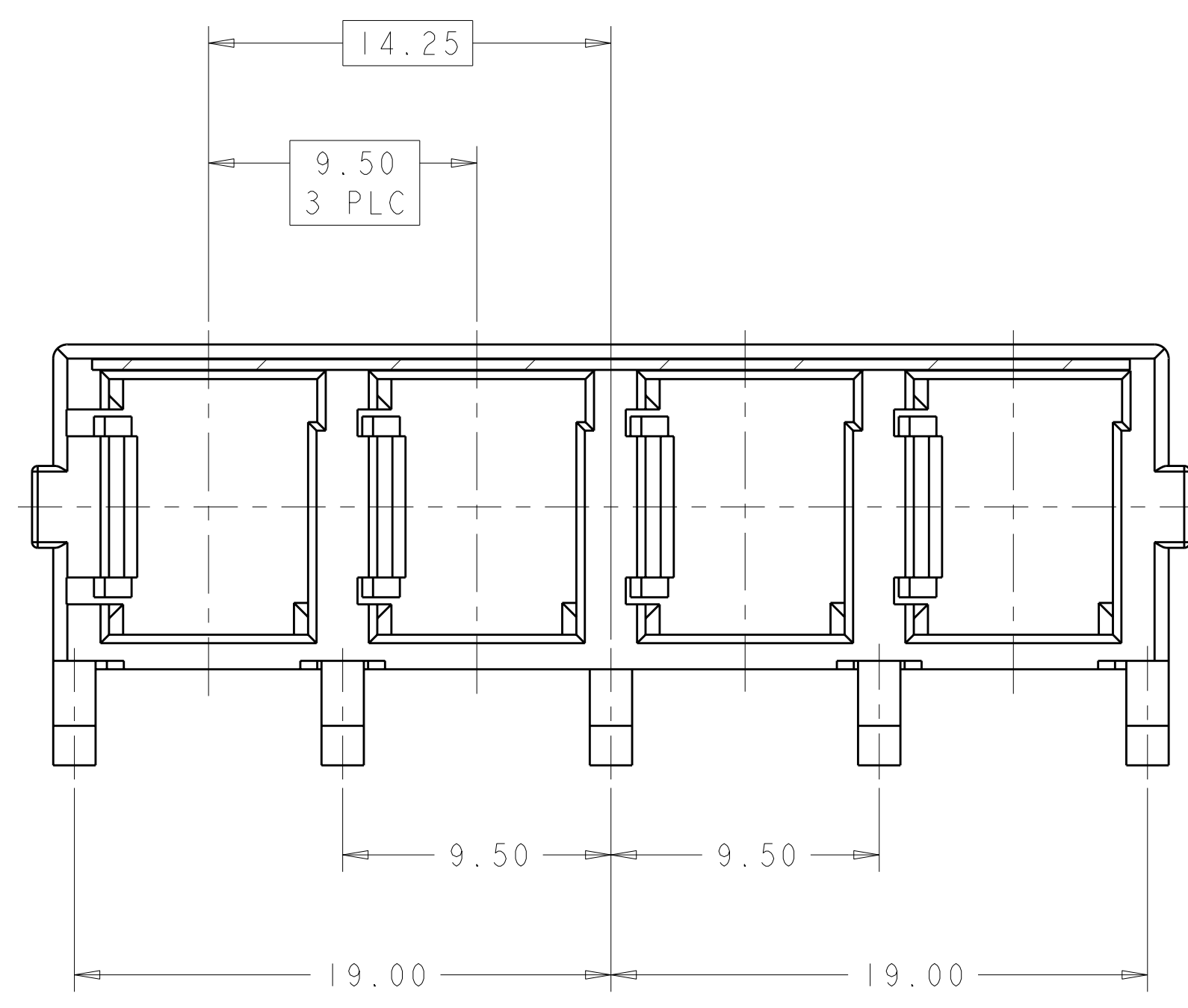
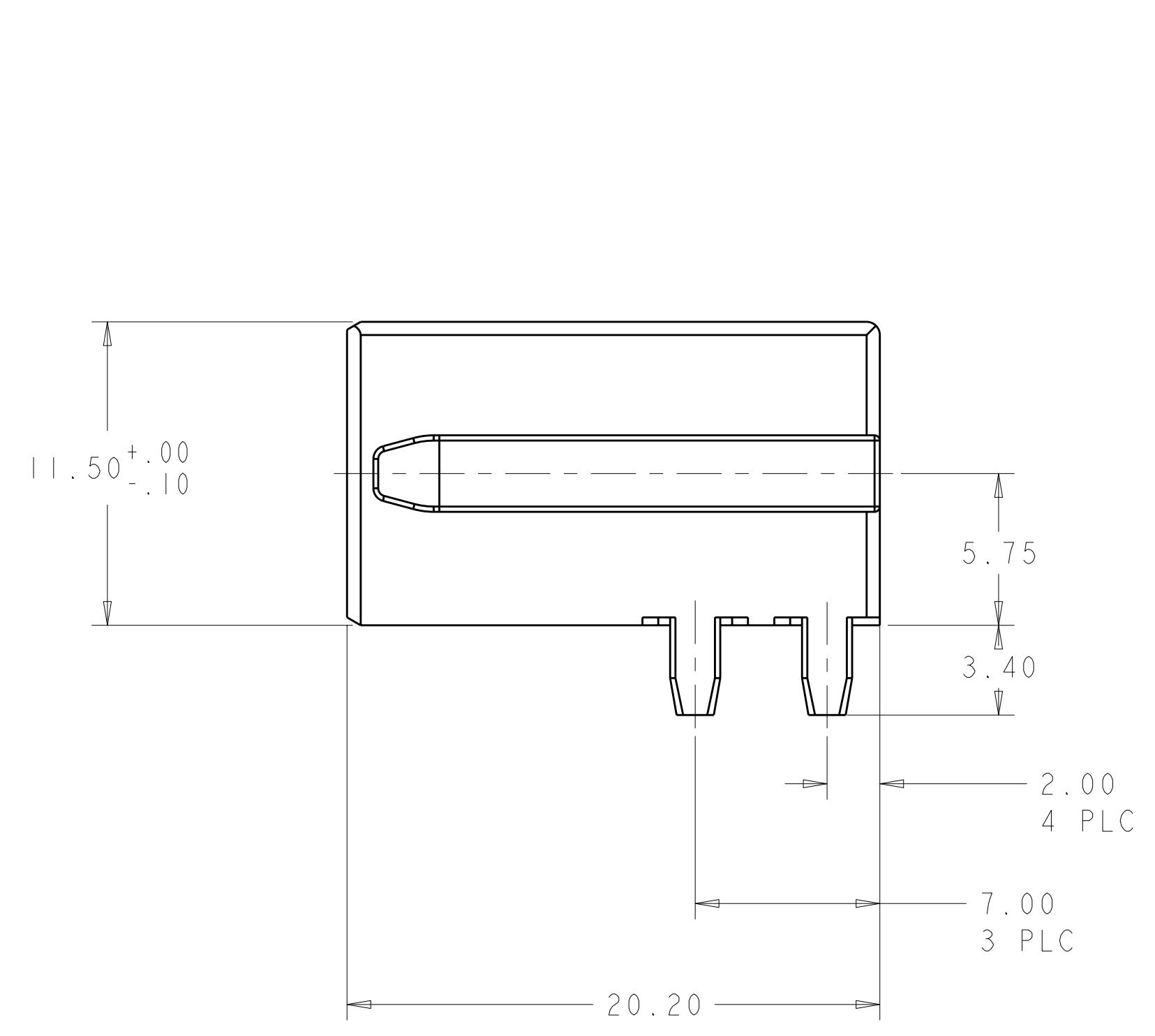
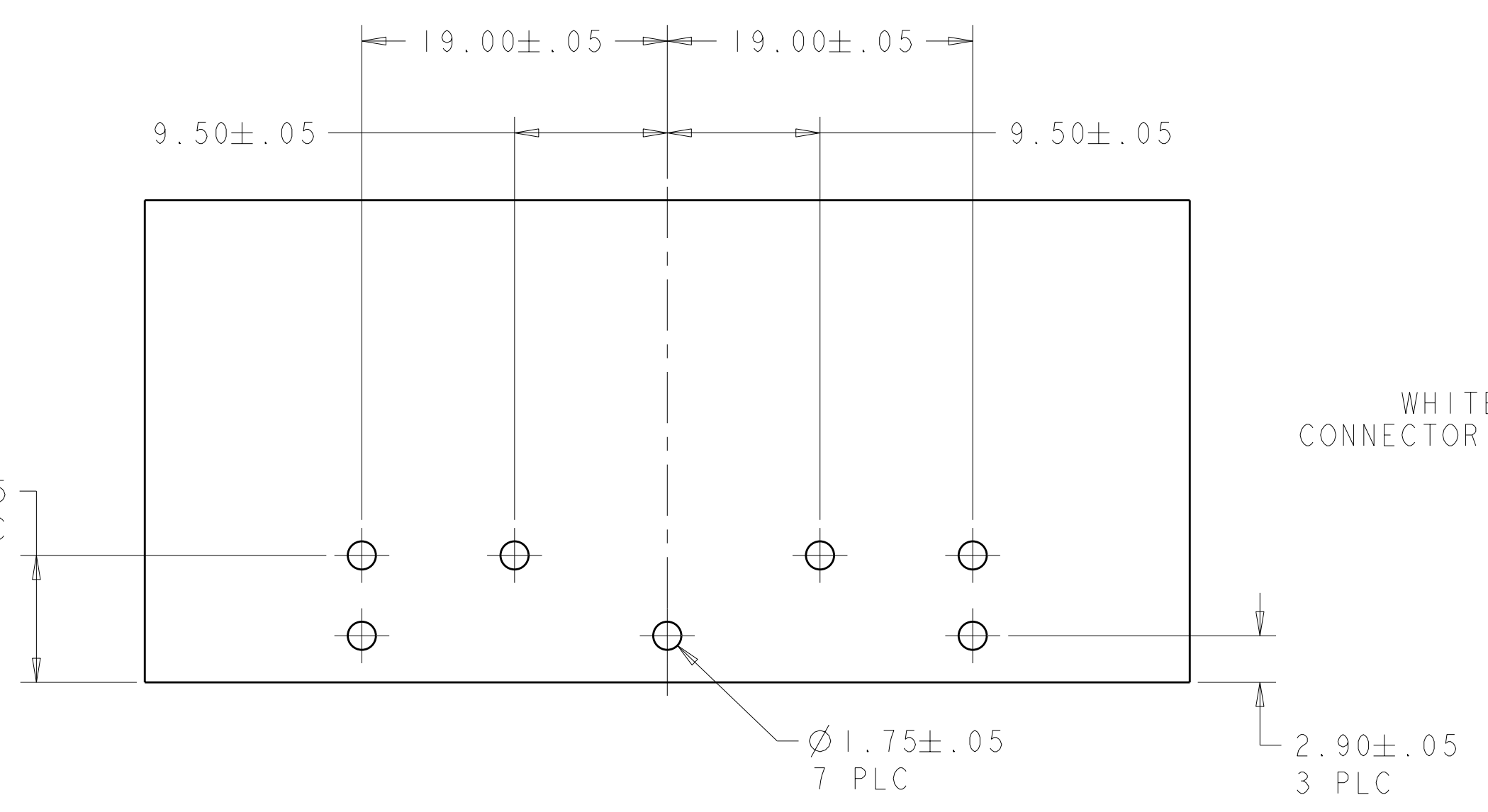
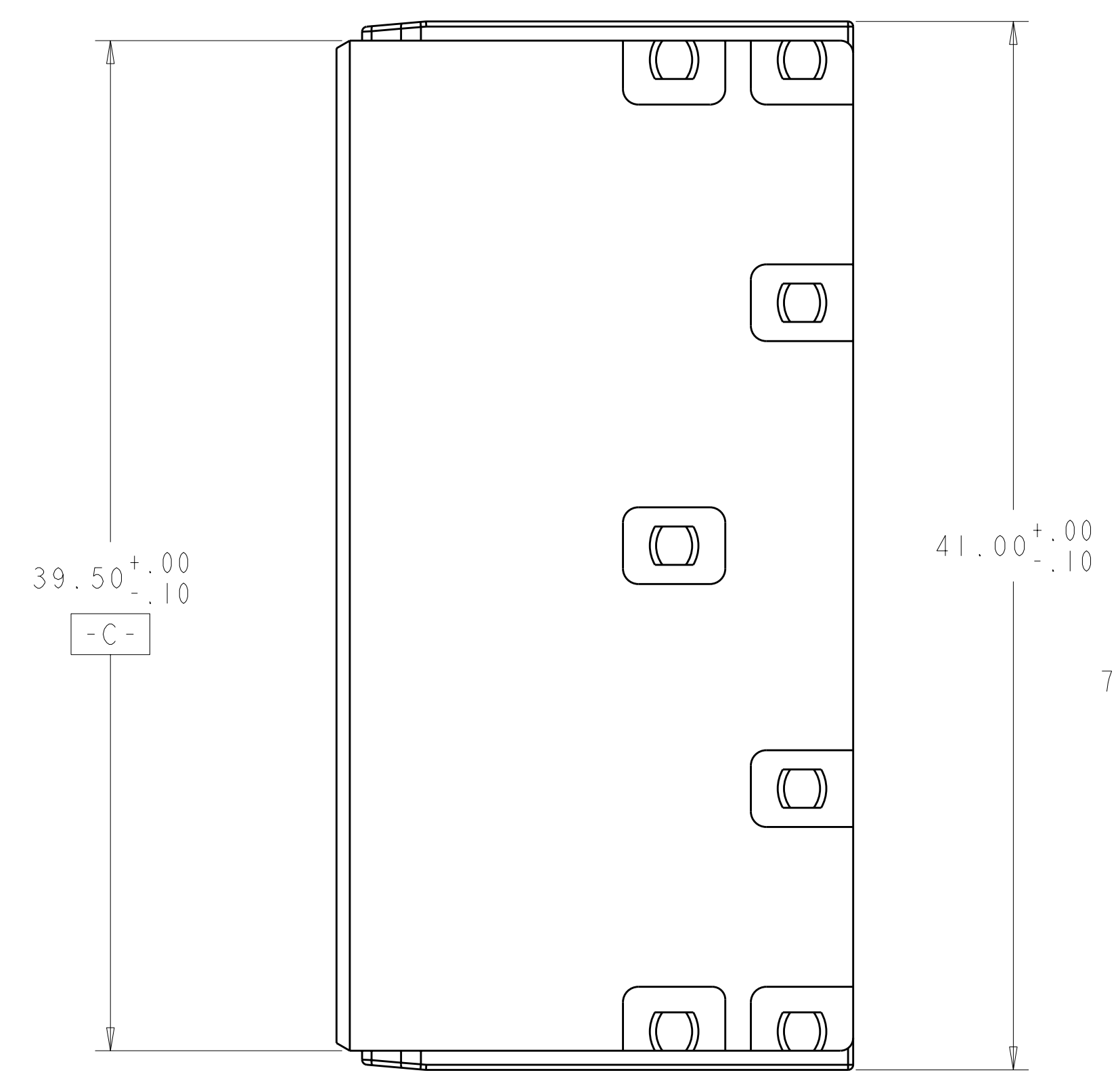


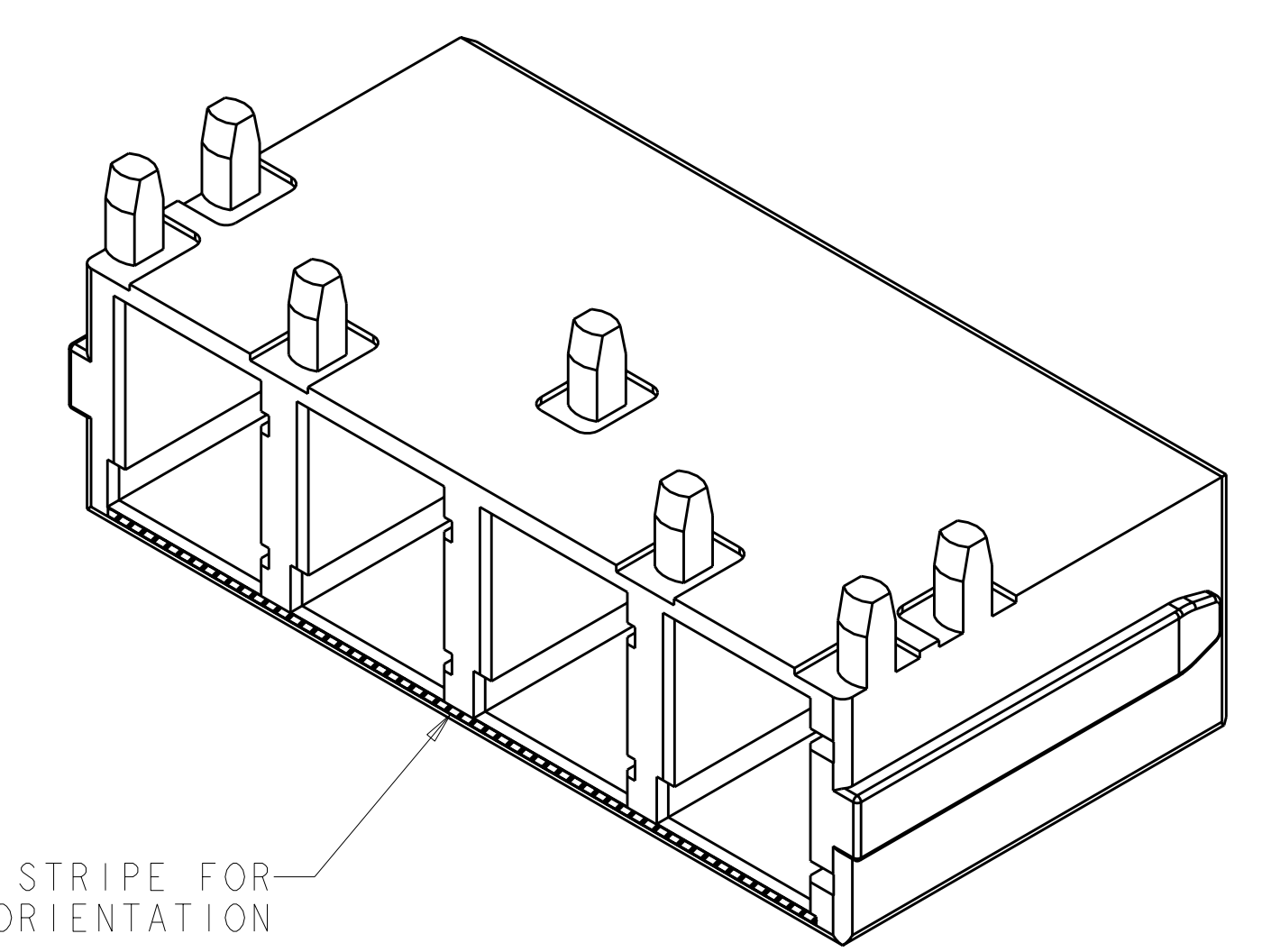
LOC	DIST	REV	DATE	DWN	APVD
CE	16	D	28 JUL 2008	EH	AP
		DESCRIPTION			
		REV PER ECR -08-018856			



SCALE 4:1



RECOMMENDED HOLE PATTERN  
SCALE 3:1



WHITE STRIPE FOR CONNECTOR ORIENTATION

SCALE 4:1

MATERIAL: GLASS FILLED PBT,  
COLOR: BLACK

1278391-1  
PART NUMBER

DIMENSIONS: mm 		TOLERANCES UNLESS OTHERWISE SPECIFIED: 9 PLC ±.3 1 PLC ±0.10 5 PLC ±0.001 4 PLC ±0.0001 ANGLES ±.1		DWN E. Haley 22 JUN 99 CHK L. BARKUS 22 JUN 99 APVD L. BARKUS 22 JUN 99 PRODUCT SPEC APPLICATION SPEC WEIGHT CUSTOMER DRAWING		AMP Incorporated Harrisburg, PA 17105-3608 NAME SYSTEM BOARD HOUSING, 1X4 VERTICAL, LIGHTRAY MPX SIZE CAGE CODE DRAWING NO. RESTRICTED TO A11 00779 C-1278391 SCALE 5:1 SHEET 1 OF 1 REV D	
-----------------------	--	---	--	---	--	---	--