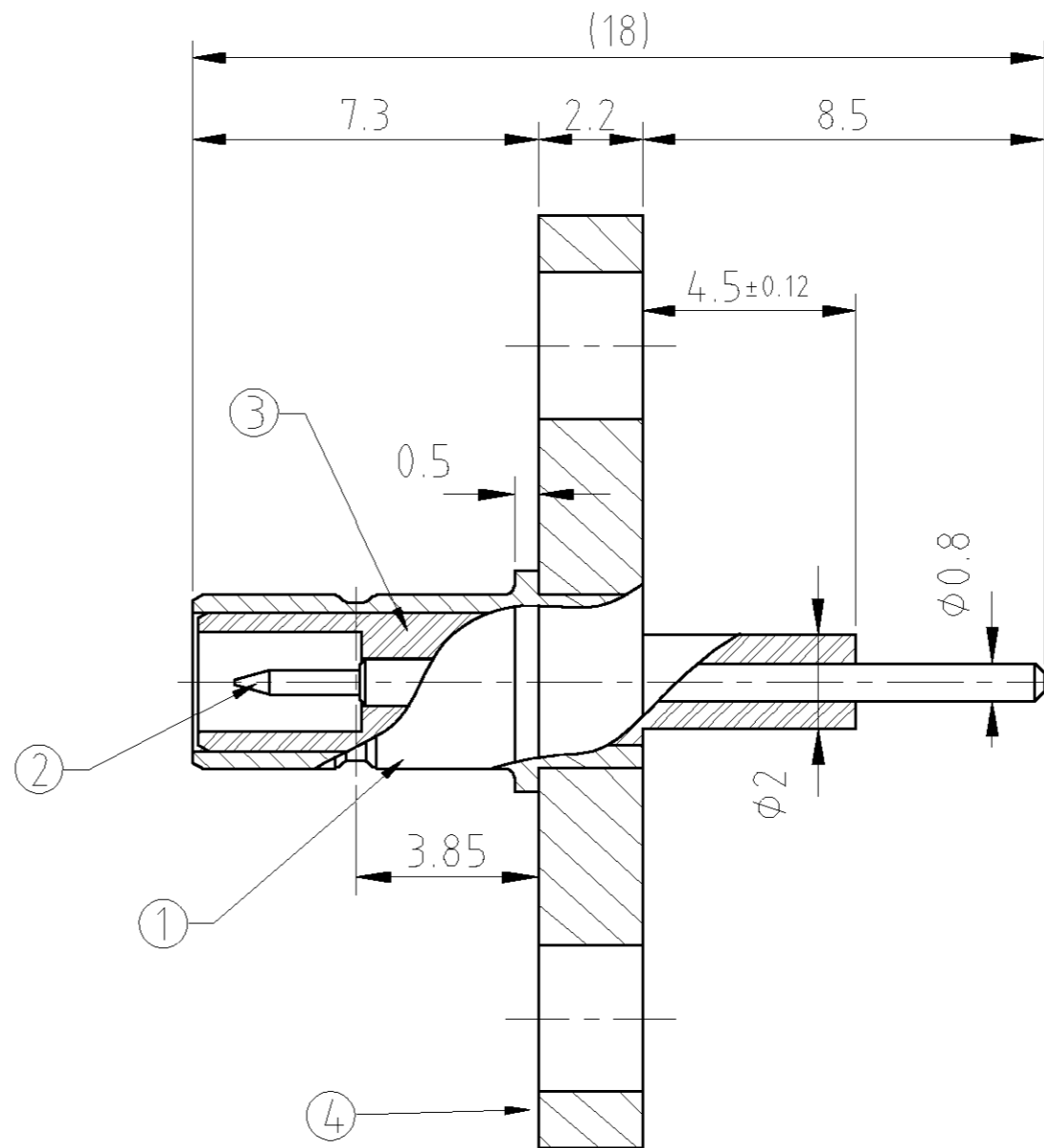
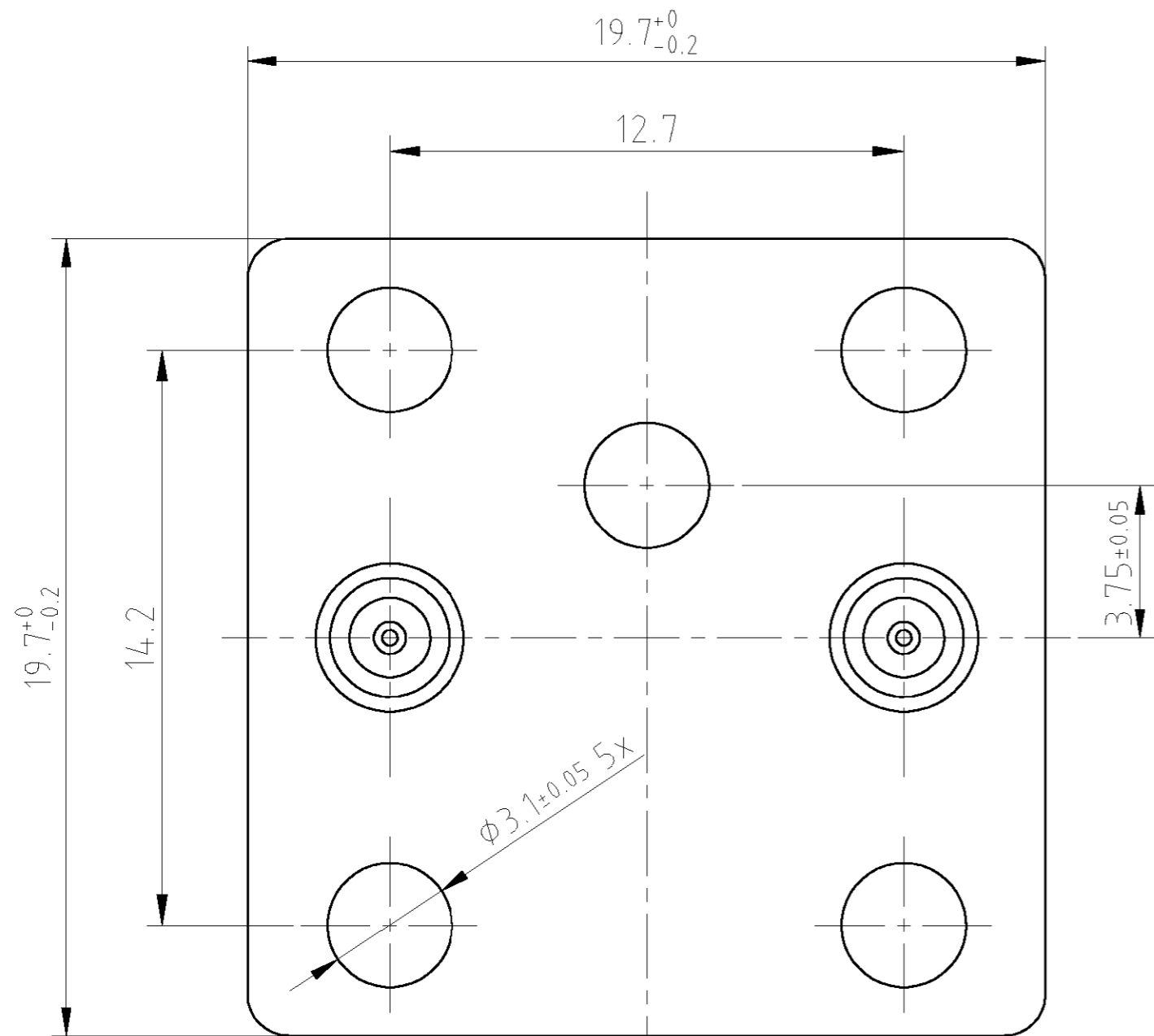


THIS DRAWING IS UNPUBLISHED. RELEASED FOR PUBLICATION JANUARY ,2002.

© COPYRIGHT 2002 BY TYCO ELECTRONICS CORPORATION. ALL RIGHTS RESERVED.

LOC	DIST	REVISIONS					
P	LTR	DESCRIPTION	DATE	DWN	APVD		
EK	00	B	New packaging	EW00 0164 02	08/AUG/02	FR	BR



- 1 PLATING: WHITE BRONZE (CuZnSn)
- 2 PLATING: 0.3-0.5µm Au OVER Ni
- 3 560 PARTS PACKED PER CARTON BOX
70 PARTS PACKED INTO PLASTIC TRAY
8 PLASTIC TRAY INTO A CARTON BOX
- 4 PARTS POSITIONNED IN THE SAME ORIENTATION
- 5 SMB INTERFACE COMPLIES WITH CECC 22 130

1274905-1	5	-	TRAY	PS black	△6	
	4	1	FLANGE	CuZn	△1	
	3	2	DIELECTRIC	PTFE		
	2	2	CENTER CONTACT	CuZn	△2	
	1	2	OUTER SHELL	CuZn	△1	
ORDER N°	3	ITEM	NBR	DESCRIPTION	MATERIAL	PLATING

THIS DRAWING IS A CONTROLLED DOCUMENT.		DWN	F. Rossier	08/MAR/02	Tyco Electronics Corporation RF Team, Switzerland	
		CHK	B. Rithener	08/MAR/02		
		APVD	-	-	NAME	
DIMENSIONS. MM		TOLERANCES UNLESS OTHERWISE SPECIFIED:		PRODUCT SPEC		
		0 PLC	± 0.3	APPLICATION SPEC		
		1 PLC	± 0.2	WEIGHT		
		2 PLC	± 0.15	SIZE		
		3 PLC	± -	CAGE CODE		
		4 PLC	± -	DRAWING NO		
		ANGLES	± 1	RESTRICTED TO		
MATERIAL		FINISH		A3 00779 C-1274905		
				CUSTOMER DRAWING		
				SCALE	SHEET	REV
				15:1	1 OF 2	B

THIS DRAWING IS UNPUBLISHED. RELEASED FOR PUBLICATION JANUARY ,2002.

© COPYRIGHT 2002 BY TYCO ELECTRONICS CORPORATION. ALL RIGHTS RESERVED.

LOC	DIST	REVISIONS					
EK	00	P	LTR	DESCRIPTION	DATE	DWN	APVD
		-	-		-	-	-

6 ANTISTATIC MATERIAL

19.9

29.7

180

280

5

4

THIS DRAWING IS A CONTROLLED DOCUMENT.		DWN F. Rossier 08/MAR/02	Tyco Electronics Corporation RF Team, Switzerland	
DIMENSIONS. MM		CHK B. Rithener 08/MAR/02	TWIN SMB JACK MOUNTED IN A FLANGE	
TOLERANCES UNLESS OTHERWISE SPECIFIED:		APVD -	NAME	
0 PLC ± 0.3		PRODUCT SPEC -	SIZE	
1 PLC ± 0.3		APPLICATION SPEC -	CAGE CODE	DRAWING NO
2 PLC ± 0.3		WEIGHT -	A3 00779	C-1274905
3 PLC ± -		RESTRICTED TO		
4 PLC ± -		CUSTOMER DRAWING		
ANGLES ± 1		SCALE	SHEET	REV
MATERIAL		1:2	2 OF 2	B
FINISH				