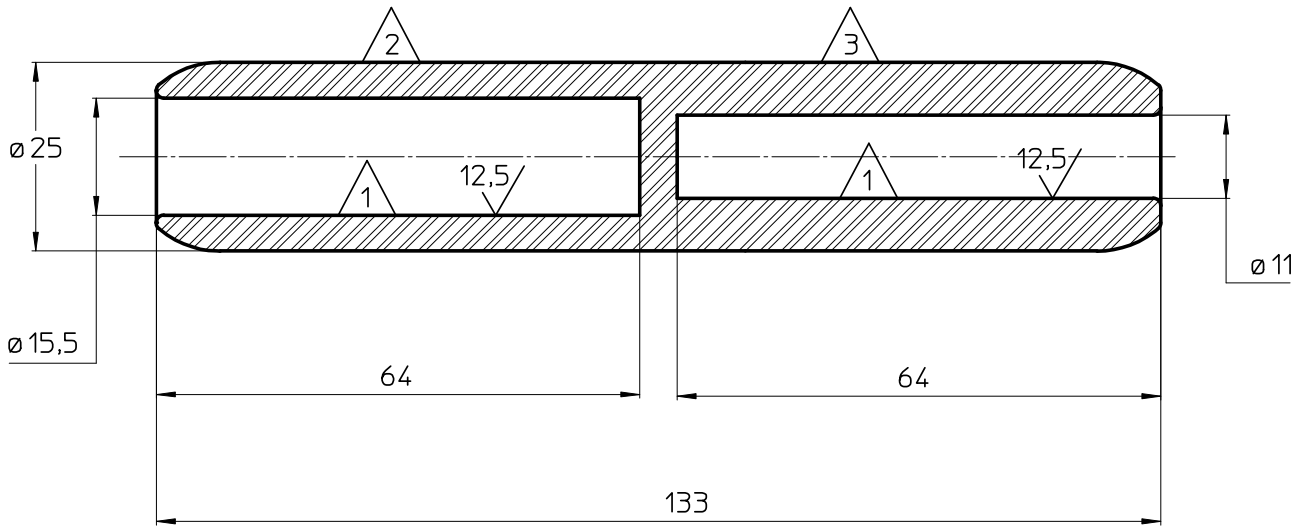






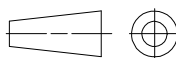
LOC	DIST	REVISIONS					
		P	LTR REV	DESCRIPTION MODIFICATIONS	DATE	DWN DESS.	APVD APPR
-	-		A	Creation	26-Nov-13	GC	NA



-  Graise/Greased
-  MARQUAGE/MARKING:
Reference Logo Bacht Die (MJ2E-2E)
-  MARQUAGE/MARKING: Section (70)

2011
 RELEASED FOR PUBLICATION
 LIBRE A LA DIFFUSION
 ALL RIGHTS RESERVED.
 TOUS DROITS RESERVES
 BY TYCO ELECTRONICS CORPORATION
 2011
 THIS DRAWING IS UNPUBLISHED.
 DIFFUSION RESTREINTE
 COPYRIGHT 2011

1273134-1
Part Number

DIMENSIONS: mm	DWN /DESSINE G.CARLHIAN	26-Nov-13	MATERIAL MATIERE	Alu 1050	FINISH FINITION	-
	CHK /VERIFIE E.DEREY	-	 TE connectivity SIMEL PRODUCTS			
TOLERANCES UNLESS OTHERWISE SPECIFIED PER TOLERANCES NON SPECIFIEES SELON :-	APVD /APPROUVE N.ALMEIDA	-				
	PRODUCT SPEC SPEC. PRODUIT	-	NAME TITRE XN8 BM 150-70 RJ-2A 150-70			
	APPLICATION SPEC SPEC. APPLICATION C33-090-1		SIZE FORMAT A4	CAGE CODE 00779	DRAWING NO No PLAN © =1273134	RESTRICTED TO RESERVE A -
	APPROX. WEIGHT MASSE APPROX. 130g		UNIQUEMENT POUR REFERENCE		SCALE ECHELLE 1:1	SHEET FEUILLE 1 OF 1 DE 1
CUSTOMER DWG / PLAN CLIENT						