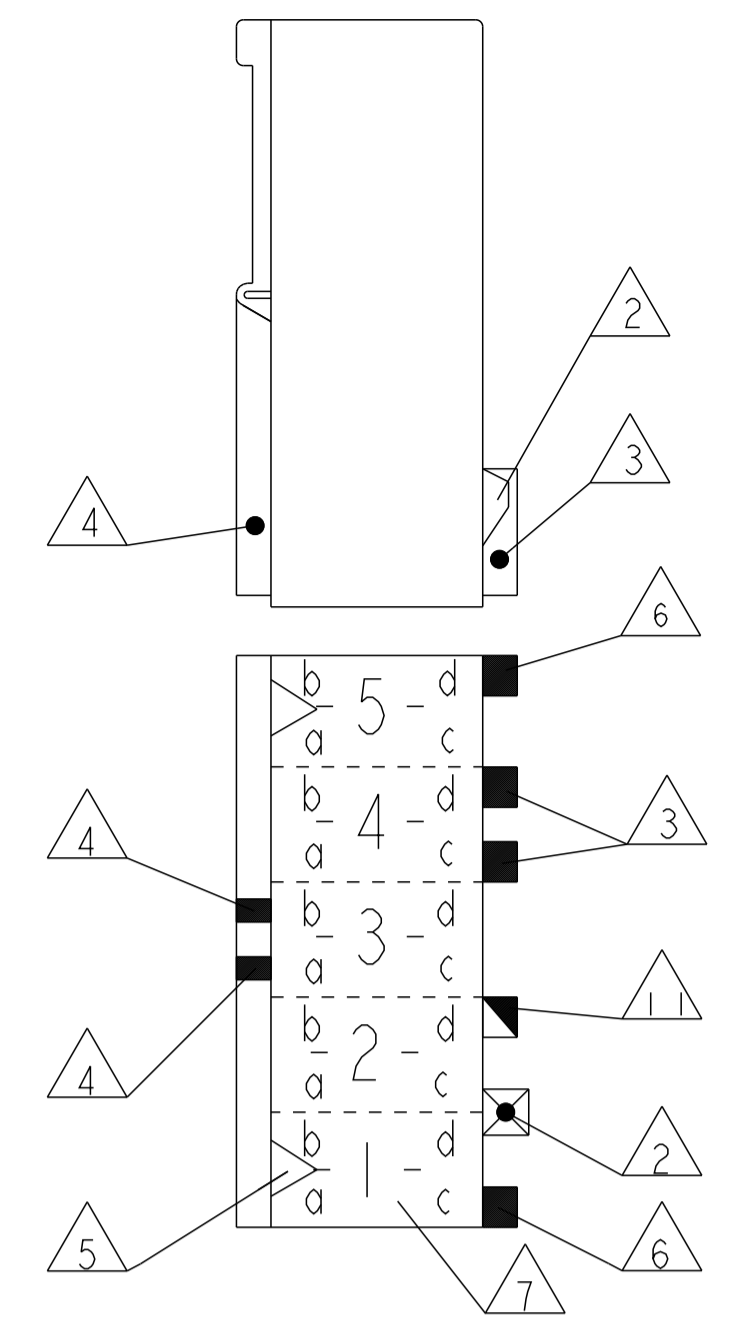
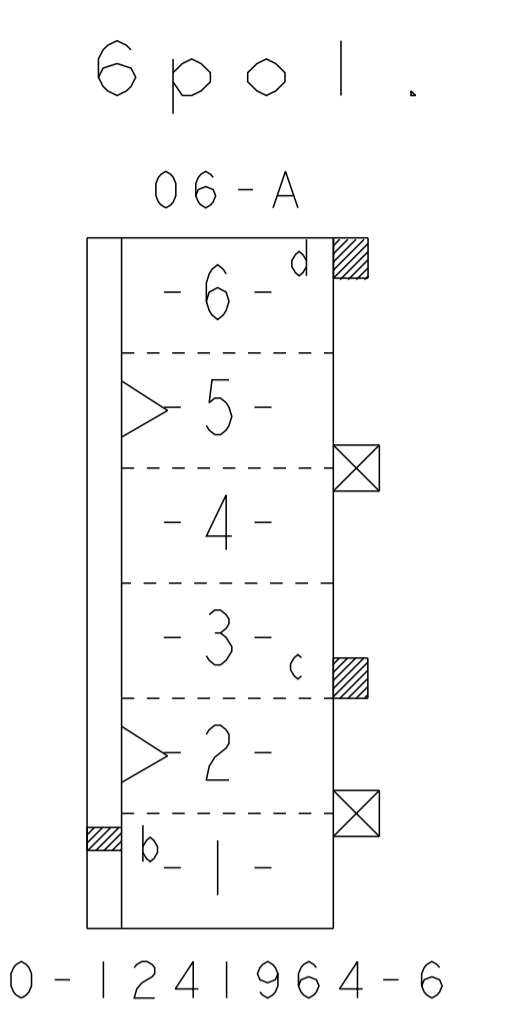
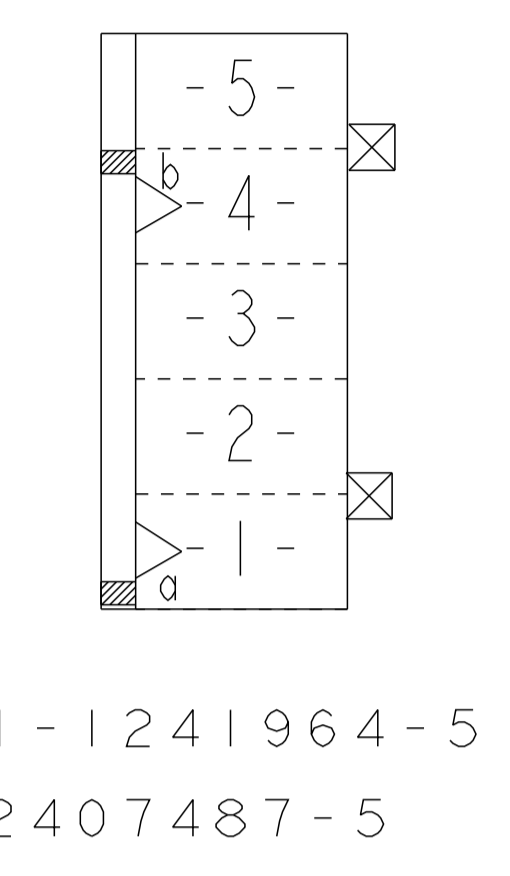
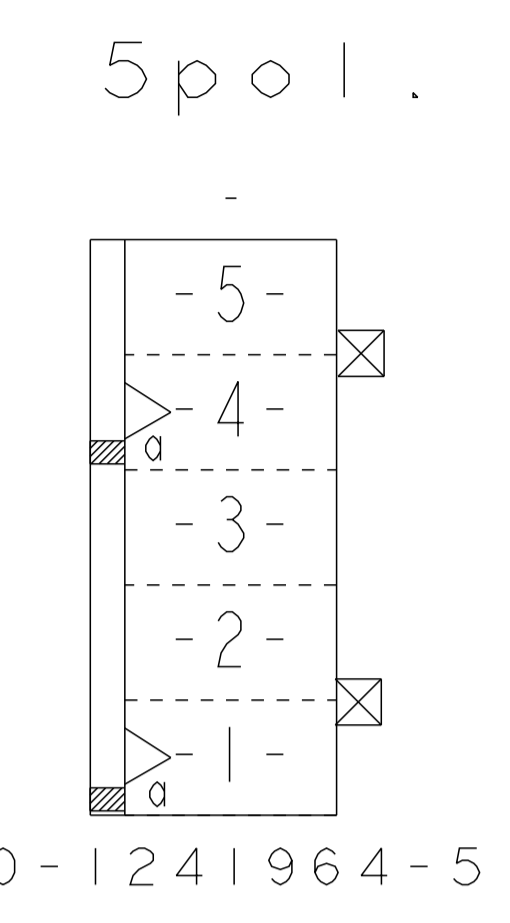
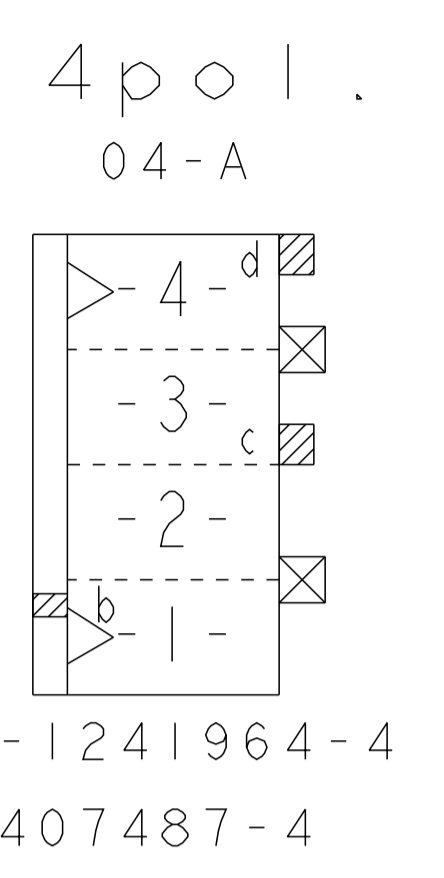
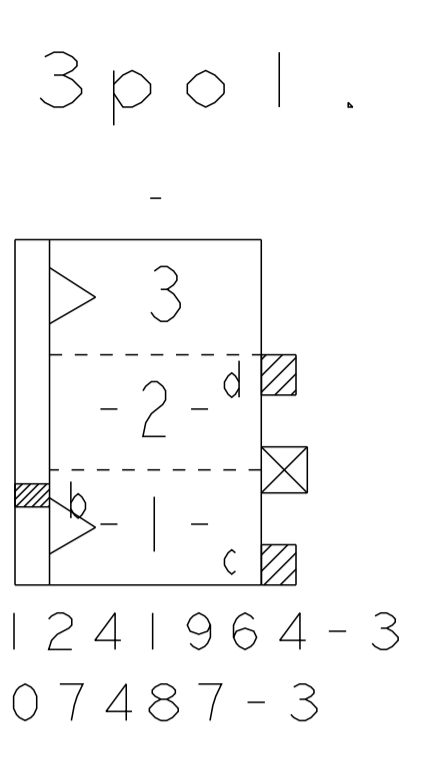
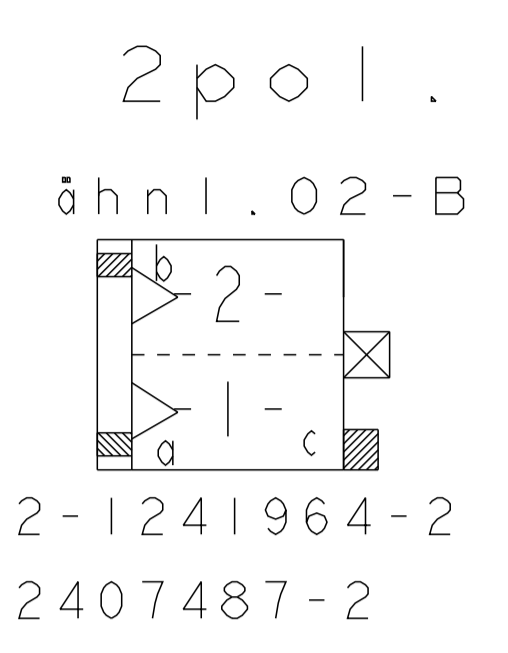
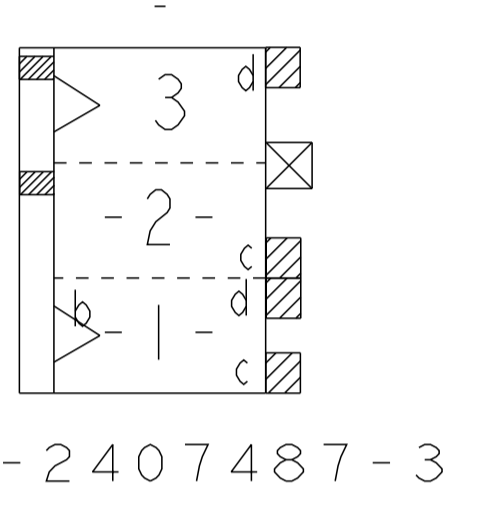


REVISIONS				
P.	LTN	DESCRIPTION	DATE	APPD
-	-	SEE SHEET 1	-	-

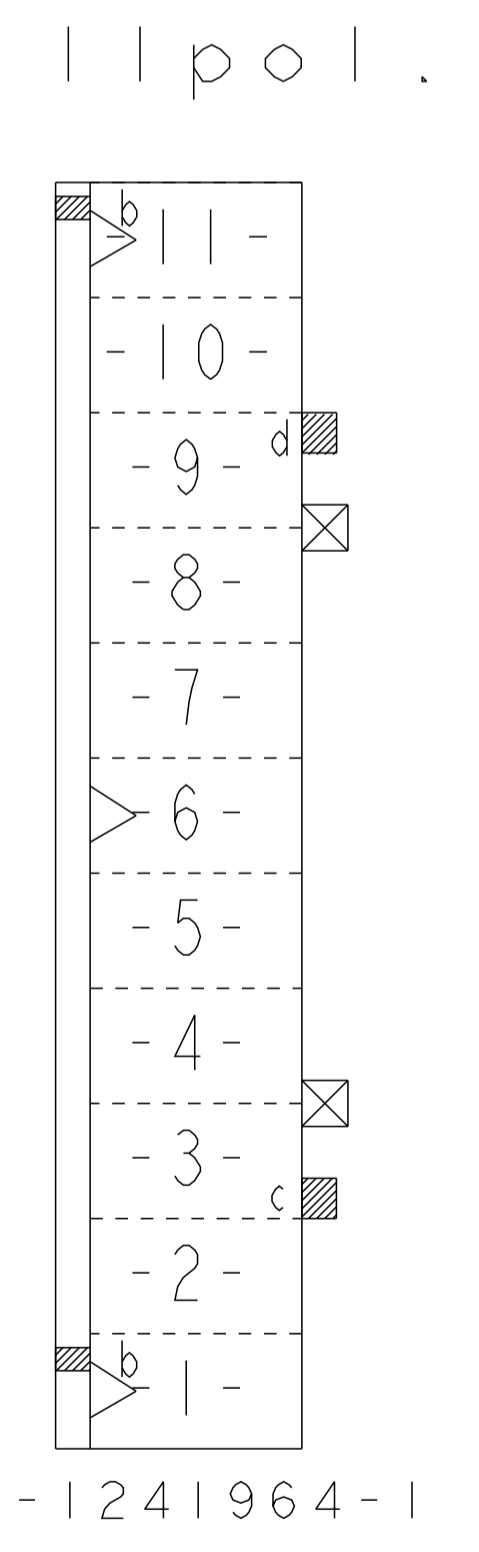
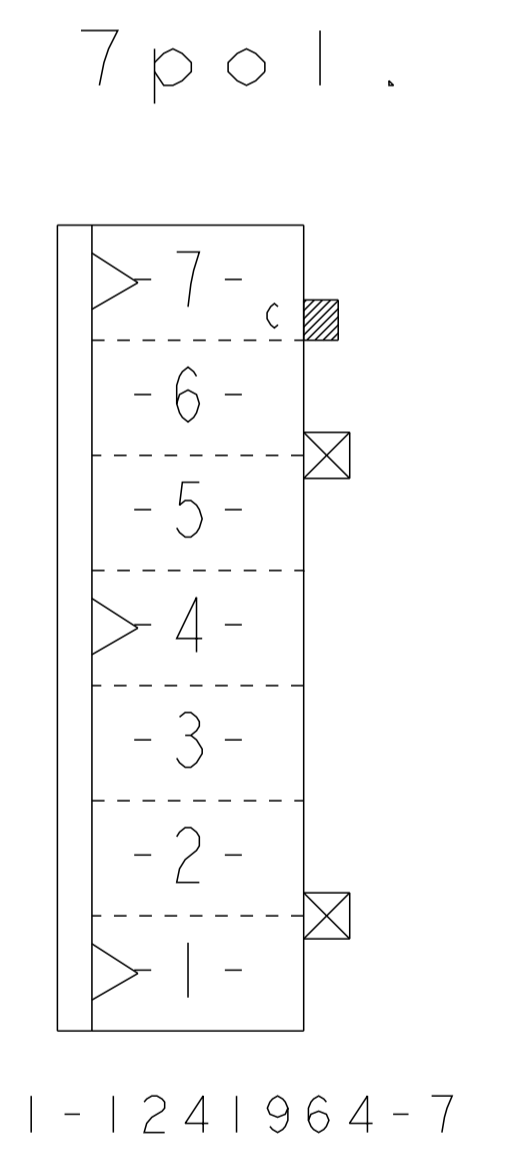
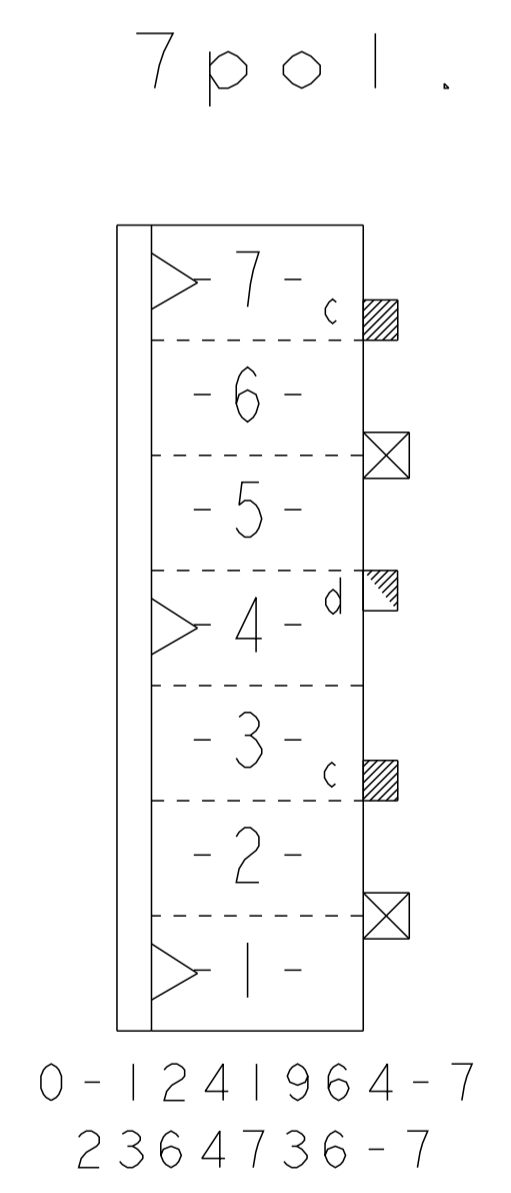


Darstellung:
Lage der Kodier- und
Polarisierungsrippen und
Rastfedern am Gehäuse

DESCRIPTION:
POSITION OF KEYING RIB AND THE
LOCKING LATCH AT THE HOUSINGS



TE PART NUMBER (OPTIONAL)



TE PART NUMBER (OPTIONAL)	POS.	DIM A	DIM B	COLOUR	MATERIAL	MATED WITH
2407487-5	5	25	20	NATURE/natur	PA66 Δ UL94-V0 & GWEPT 750°C n.f.	Δ Δ
2407487-4	4	20	15	NATURE/natur		Δ Δ
1-2407487-3	3	15	10	NATURE/natur		Δ Δ
2407487-3	3	15	10	NATURE/natur		Δ Δ
2407487-2	2	10	5	NATURE/natur		Δ Δ
2364736-7	7	35	30	BLUE	PA66 Δ Δ UL94-V0 & GWEPT 750°C n.f.	Δ Δ
1-1241964-1	11	55	50	NATURE/natur	PA66 Δ UL94-V0 & GWEPT 750°C n.f.	Δ Δ
1-1241964-7	7	35	30	NATURE/natur		Δ Δ
0-1241964-7	7	35	30	NATURE/natur		Δ Δ
0-1241964-6	6	30	25	NATURE/natur		Δ Δ
1-1241964-5	5	25	20	NATURE/natur		Δ Δ
0-1241964-5	5	25	20	NATURE/natur		Δ Δ
0-1241964-4	4	20	15	NATURE/natur		Δ Δ
0-1241964-3	3	15	10	NATURE/natur		Δ Δ
2-1241964-2	2	10	5	NATURE/natur		Δ Δ
0-1241964-3	3	15	10	NATURE/natur		Δ Δ
2-1241964-2	2	10	5	NATURE/natur		Δ Δ

Bestell-Nr. / Pos. Maß A Maß B Farbe Material Gegenstecker

PART NO. POS. DIM A DIM B COLOUR MATERIAL MATED WITH

Stückliste / PARTS LIST

THIS DRAWING IS A CONTROLLED DOCUMENT.

APPROVED: Manke, B. 28-NOV-02
CHK: Stredak, F. 28-NOV-02
APRD: Bleicher, M. 30-NOV-02

TE Connectivity

2-11 POS. STANDARD-TIMER HOUSING WITH INTERIOR LOCKING. PITCH 5mm

SIZE: 108-18049-1 CAGE CODE: 00779 DRAWING NO: 1241964

SCALE: 1:1 SHEET: 2 OF 2 REV: A23