

4

3

2

1

THIS DRAWING IS UNPUBLISHED.

RELEASED FOR PUBLICATION

© COPYRIGHT

ALL RIGHTS RESERVED.

LOC

DIST


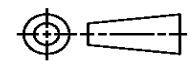
REVISIONS

P	LTR	DESCRIPTION	DATE	DWN	APVD

REPLACED BY OCEAN STYLE APPLICATOR PART NUMBER

FOR REPLACEMENT PARTS FOR APPLICATOR REFER TO ADDITIONAL PAGE(S). SPARE PARTS KIT (IF LISTED) WILL REMAIN AVAILABLE.

THE REPLACEMENT OCEAN STYLE APPLICATOR HAS THE SAME TERMINATOR/PRESS INTERFACE AS APPLICATOR

THIS DRAWING IS A CONTROLLED DOCUMENT.		DWN	 TE Connectivity		
DIMENSIONS:		CHK			
TOLERANCES UNLESS OTHERWISE SPECIFIED:		APVD	NAME		
 0 PLC ± 1 PLC ± 2 PLC ± 3 PLC ± 4 PLC ± ANGLES ±		PRODUCT SPEC	RESTRICTED TO		
		APPLICATION SPEC	SIZE	CAGE CODE	DRAWING NO
MATERIAL	FINISH	WEIGHT	A3	C-	
		SCALE	SHEET	OF	REV

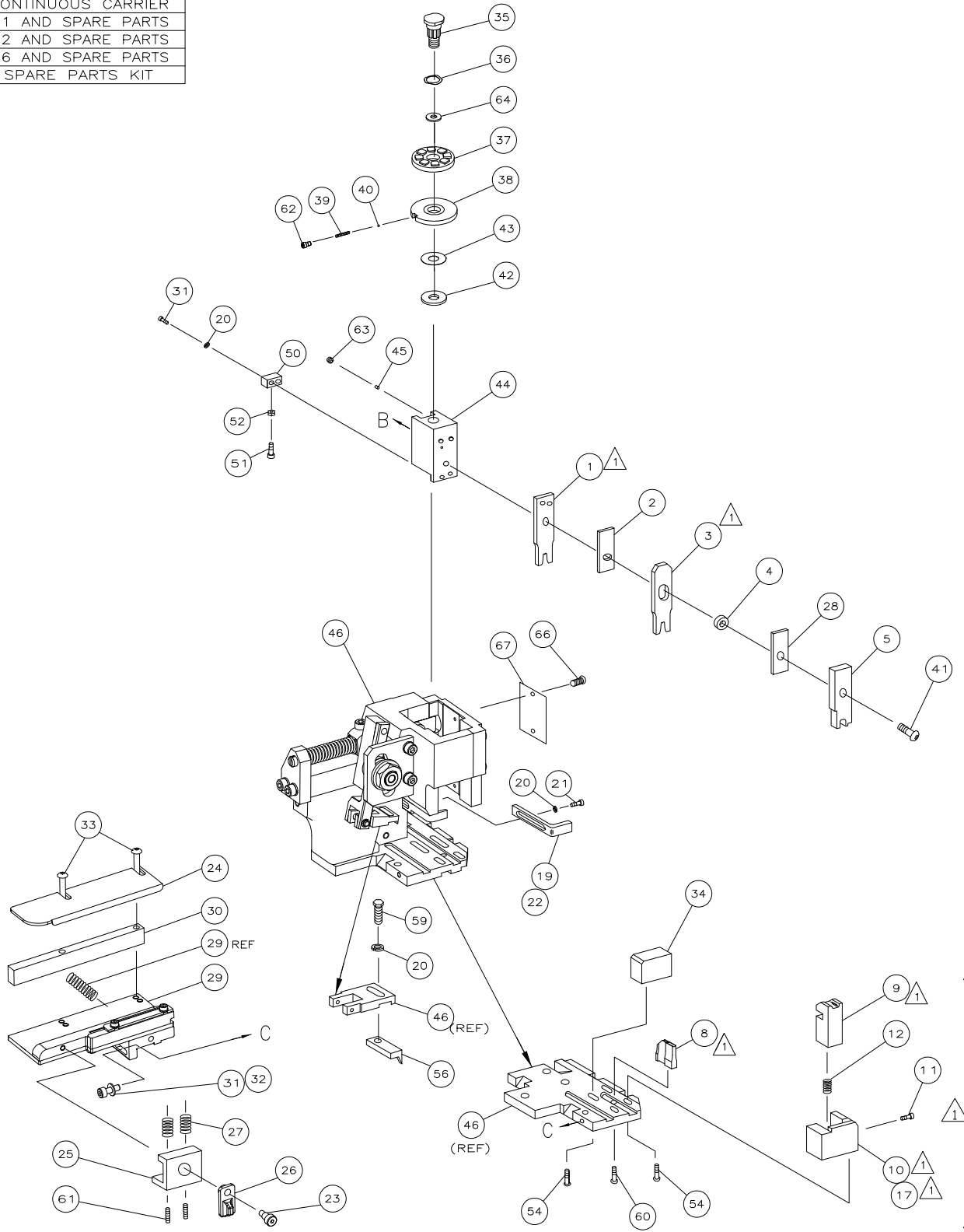
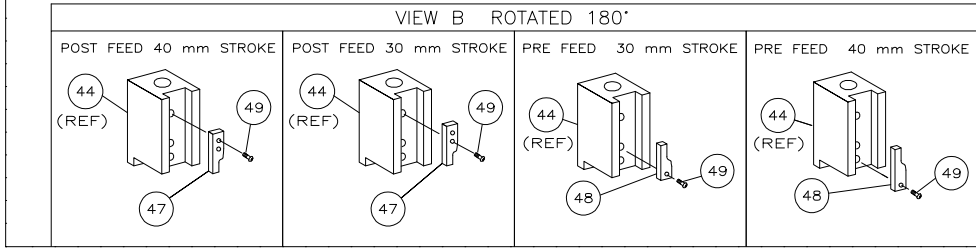
THIS DRAWING IS UNPUBLISHED. RELEASED FOR PUBLICATION.
 © COPYRIGHT BY TYCO ELECTRONICS CORPORATION. ALL RIGHTS RESERVED.

LOC	DIST	REVISIONS					
A	66	P	LN	DESCRIPTION	DATE	BY	APPD
		H1	ECR-07-000171		1-2007	MY	GB

PART NUMBER	REV	FIRST USED	TERMINATOR	FEED TYPE	DESCRIPTION
1238050-1	H	-	LEADMAKER	MECH POST FEED	CUTS CARRIER
1238050-2	H	-	BENCH	MECH PRE FEED	CUTS CARRIER
1238050-6	H	-	LEADMAKER	MECH POST FEED	CONTINUOUS CARRIER
7-1238050-1	H	-	LEADMAKER	MECH POST FEED	-1 AND SPARE PARTS
7-1238050-2	H	-	BENCH	MECH PRE FEED	-2 AND SPARE PARTS
7-1238050-6	H	-	LEADMAKER	MECH POST FEED	-6 AND SPARE PARTS
7-1238050-7	E	-	-	-	SPARE PARTS KIT

CRIMP DATA (AMP TERMINAL)			
TERMINAL NAME: PIN, SOCKET, UNIVERSAL MATE-N-LOK			
CRIMP	SIZE	TYPE	RANGE
WIRE	1.57 [.062 IN]	F	22-18 AWG
INSUL	2.79 [.110 IN]	F	1.5-2.8 [.059-.110 IN]
WIRE STRIP LENGTH		APPL INSTRUCTION	
3.2-4.0mm [.126-.157 IN]		408-8322	
TERMINAL	114-5050 A		FEED
APPL SPEC	114-16017 B	114-13089 B	
TERMINALS APPLIED			
PIN	SOCKET	SEAL	
170360 A	170362 A	794758 B	-
770903 B	770904 B	-	-
-	794137 B	-	-
-	-	-	-
-	-	-	-
-	-	-	-
-	-	-	-
-	-	-	-
WIRE SIZE	CRIMP HEIGHT	PIN PN & LENGTH [IN]	
mm ² AWG			
18	1.07 ±0.05 [.042 ±.002 IN]	3-354779-1 [.3145]	
0.75mm ²	1.04 ±0.05 [.041 ±.002 IN]	3-354779-3 [.3155]	
20 or .50mm ²	0.91 ±0.05 [.036 ±.002 IN]	4-354779-3 [.3205]	
(2)22	0.91 ±0.05 [.036 ±.002 IN]	4-354779-3 [.3205]	
22 or .35mm ²	0.81 ±0.05 [.032 ±.002 IN]	5-354779-2 [.3250]	
-	-	-	
-	-	-	
SET UP GAGE	LAYOUT		
458637-3	L2385		

- 1. RECOMMENDED SPARE PARTS.
- 2. GREASE RAM, CAM, CAM FOLLOWER AND FEED ROD LIGHTLY.
- 3. LUBRICATE DAILY PER THE APPLICATOR INSTRUCTION SHEET SUPPLIED WITH THE APPLICATOR.
- 114-13089 IS FOR SEAL APPLICATION ONLY. "F" TYPE INSULATION CRIMP IS USED AT A REDUCED INSULATION PAD SETTING FOR SEAL APPLICATION.



QTY	REQD	PER	ASSY	PARTS LIST	ITEM NO	
-	1	1	1	1	1	73
-	1	1	1	1	1	72
-	1	1	1	1	1	71
-	-	-	-	-	-	70
-	-	-	-	-	-	69
-	-	-	-	-	-	68
-	1	1	1	1	1	67
-	2	2	2	2	2	66
-	-	-	-	-	-	65
-	1	1	1	1	1	64
-	1	1	1	1	1	63
-	1	1	1	1	1	62
-	2	2	2	2	2	61
-	1	1	1	1	1	60
-	1	1	1	1	1	59
-	-	-	-	-	-	58
-	-	-	-	-	-	57
-	1	1	1	1	1	56
-	-	-	-	-	-	55
-	4	4	4	4	4	54
-	-	-	-	-	-	53
-	1	1	1	1	1	52
-	1	1	1	1	1	51
-	1	1	1	1	1	50
-	-	-	-	-	-	49
-	-	-	-	-	-	48
-	1	-	1	-	1	47
-	1	1	1	1	1	46
-	1	1	1	1	1	45
-	1	1	1	1	1	44
-	1	1	1	1	1	43
-	1	1	1	1	1	42
-	1	1	1	1	1	41
-	1	1	1	1	1	40
-	1	1	1	1	1	39
-	1	1	1	1	1	38
-	1	1	1	1	1	37
-	1	1	1	1	1	36
-	1	1	1	1	1	35
-	1	1	1	1	1	34
-	2	2	2	2	2	33
-	1	1	1	1	1	32
-	3	3	3	3	3	31
-	1	1	1	1	1	30
-	1	1	1	1	1	29
-	1	1	1	1	1	28
-	2	2	2	2	2	27
-	1	1	1	1	1	26
-	1	1	1	1	1	25
-	1	1	1	1	1	24
-	1	1	1	1	1	23
-	1	-	1	-	1	22
-	1	1	1	1	1	21
-	4	4	4	4	4	20
-	-	-	-	-	-	19
-	1	-	-	-	-	18
-	-	-	-	-	-	17
-	-	-	-	-	-	16
-	-	-	-	-	-	15
-	-	-	-	-	-	14
-	-	-	-	-	-	13
-	1	1	1	1	1	12
-	1	1	1	1	1	11
-	-	1	1	-	1	10
-	-	1	1	1	1	9
1	2	2	2	1	1	8
-	-	-	-	-	-	7
-	-	-	-	-	-	6
-	1	1	1	1	1	5
-	1	1	1	1	1	4
1	2	2	2	1	1	3
-	1	1	1	1	1	2
1	2	2	2	1	1	1
-77	-76	-72	-71	-6	-2	-1

THIS DRAWING IS A CONTROLLED DOCUMENT.		OWN	T.KINT	16MAY00	Tyco Electronics Corporation
DIMENSIONS: INCHES		APV	T.ELBIN	16MAY00	Harrisburg, PA 17105-3608
TOLERANCES UNLESS OTHERWISE SPECIFIED:		NAME			
0 PLC	±	SIDE FEED HD-1 APPLICATOR			
1 PLC	±	-			
2 PLC	±	-			
3 PLC	± 0.5 [0.2 IN]	-			
4 PLC	±	-			
ANGLES:	±	-			
FINISH	-	-			
MATERIAL	-	WEIGHT	F	SIZE	CAGE CODE
				A1	00779
CUSTOMER DRAWING		DRAWING NO		RESTRICTED TO	
		C=1238050		-	
		SCALE		SHEET 1 OF 1	
				REV H1	