

4

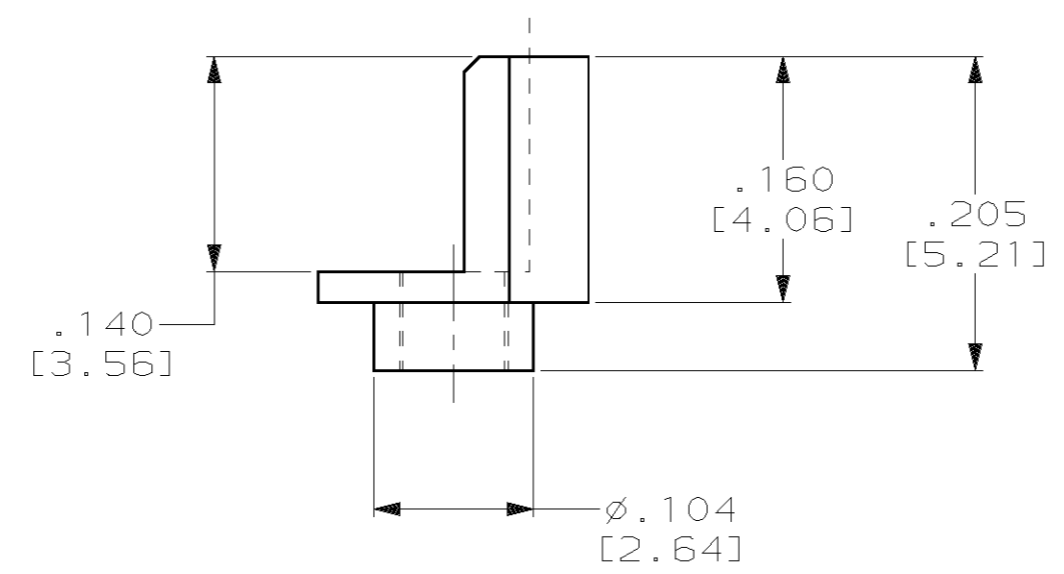
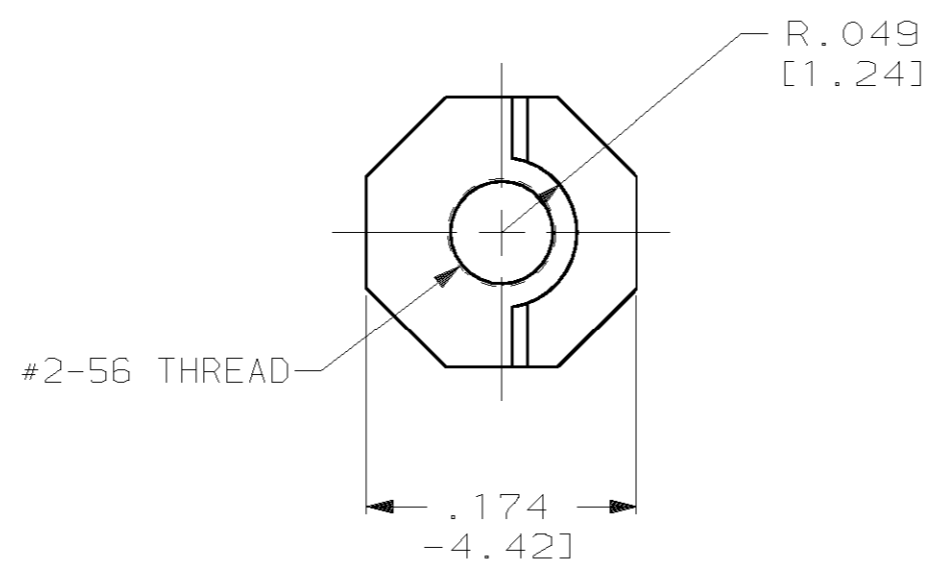
3

2

1

THIS DRAWING IS UNPUBLISHED. RELEASED FOR PUBLICATION ,19 .
 © COPYRIGHT 19 BY AMP INCORPORATED. ALL RIGHTS RESERVED.

LOC	DIST	REVISIONS			
P	LTR	DESCRIPTION	DATE	DWN	APVD
		0 RELEASED	7-00	CT	DM



1218536-1
 PART NUMBER

- KEY PRESS FITS INTO MINI-BOX PIN HEADER AND/OR RECEPTACLES USING TOOL #91117-2.
- SEE "IS 7894" FOR KEY INSERTION.

<small>THIS DRAWING IS A CONTROLLED DOCUMENT FOR AMP INCORPORATED. IT IS SUBJECT TO CHANGE AND THE CONTROLLING ENGINEERING ORGANIZATION SHOULD BE CONTACTED FOR THE LATEST REVISION.</small>		DWN C.C. THOMAS 7-14-00	AMP Incorporated Harrisburg, PA 17105-3608
DIMENSIONS: INCHES [mm]		CHK D. MILLER 7-17-00	
		APVD D. MILLER 7-17-00	NAME EXTERNAL KEY, SPECIAL, MINI-BOX
TOLERANCES UNLESS OTHERWISE SPECIFIED: 0 PLC ±- 1 PLC ±- 2 PLC ±- 3 PLC ±.005 [0.13] 4 PLC ±- ANGLES ±-		PRODUCT SPEC -	APPLICATION SPEC -
MATERIAL STAINLESS STEEL FINISH PASSIVATED		WEIGHT -	SIZE A3 CAGE CODE 00779 DRAWING NO. C-1218536
CUSTOMER DRAWING			SCALE 8:1 SHEET 1 OF 1 REV 0