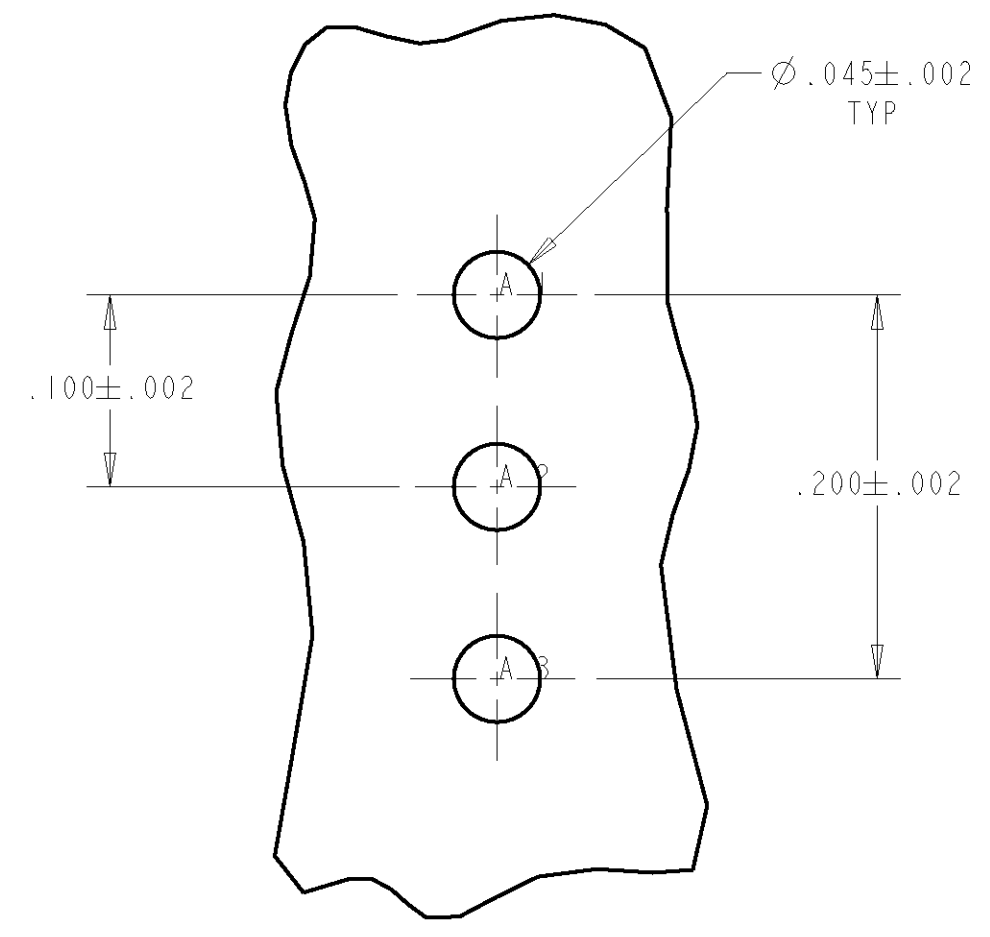
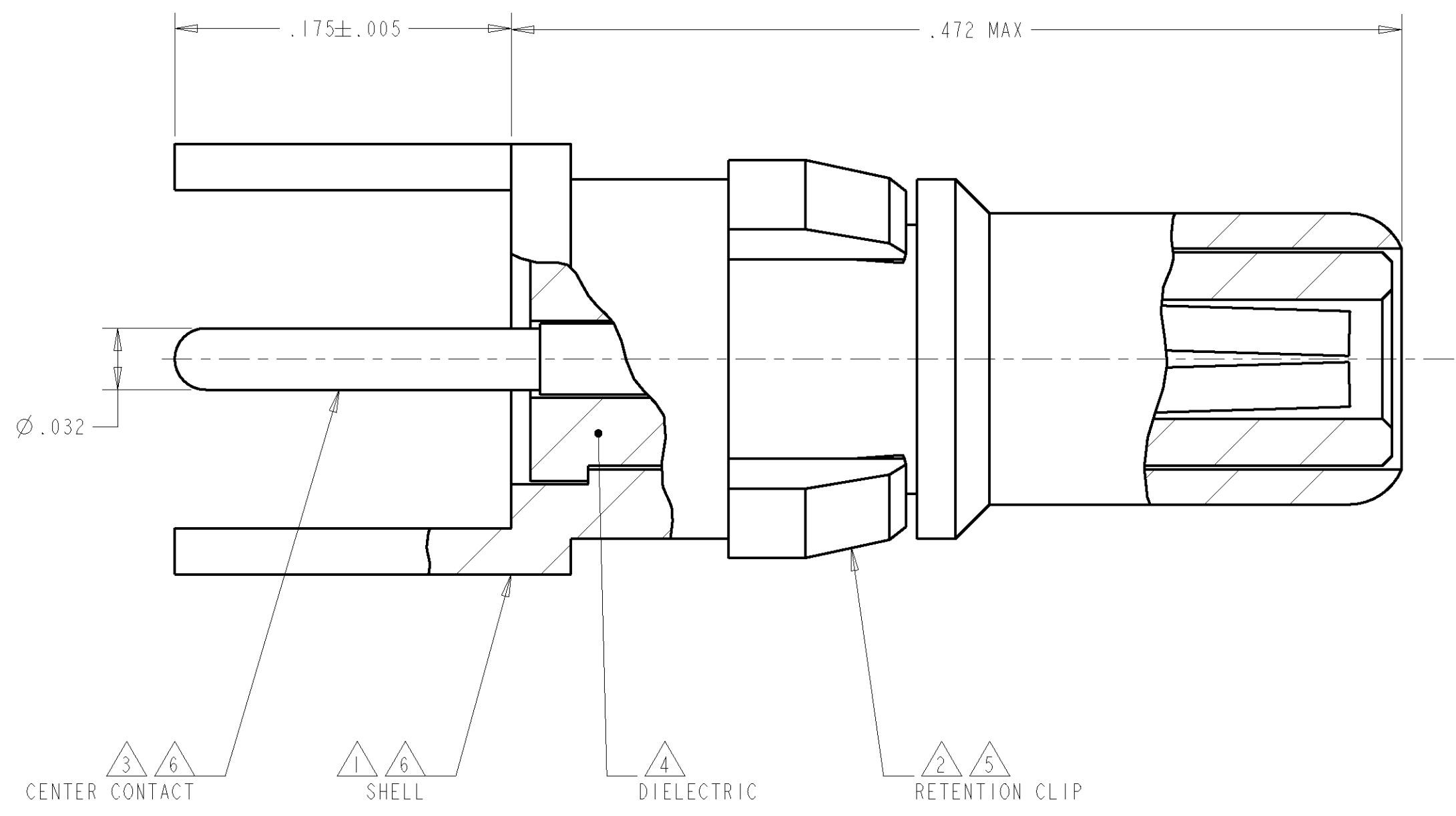
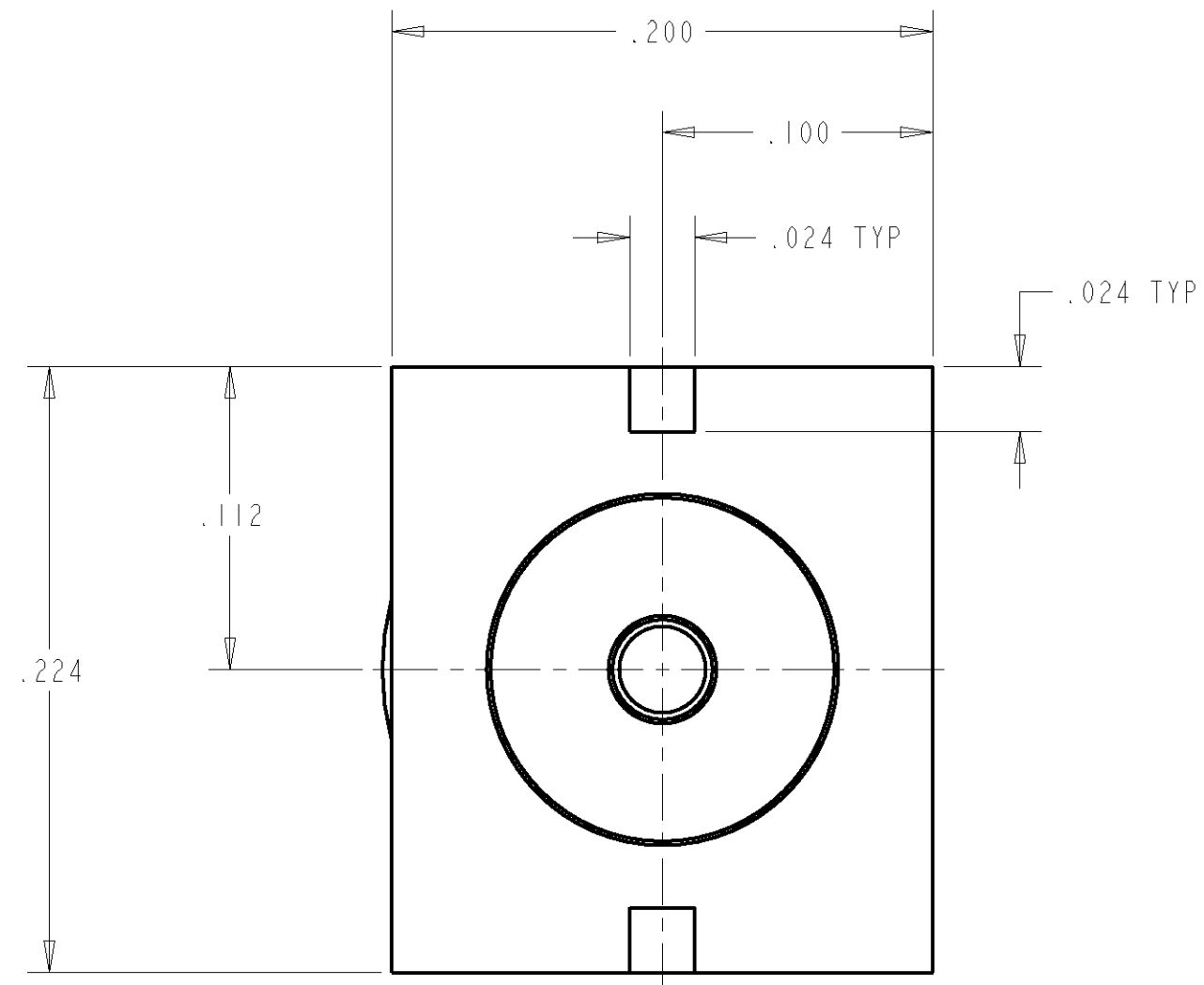


THIS DRAWING IS UNPUBLISHED. RELEASED FOR PUBLICATION .19
 © COPYRIGHT 19 BY AMP INCORPORATED. ALL RIGHTS RESERVED.

LOC	DIST	REVISIONS					
DF	DO	F	LTR	DESCRIPTION	DATE	DWN	APVD
		0		REL PER 0600-7018-97 WAS 97-4850-121	15JAN98	PY	GO



RECOMMENDED PCB HOLE PATTERN SCALE 10:1

- 1 BRASS PER ASTM-B-16
- 2 BERYLLIUM COPPER PER ASTM-B-194
- 3 BERYLLIUM COPPER PER ASTM-B-196
- 4 PTFE PER ASTM-D-1710
- 5 NICKEL PLATE PER QQ-N-290
- 6 GOLD PLATE PER MIL-G-45204

1218121-1
PART NUMBER

THIS DRAWING IS A CONTROLLED DOCUMENT FOR AMP INCORPORATED. IT IS SUBJECT TO CHANGE AND THE CONTROLLING ENGINEERING ORGANIZATION SHOULD BE CONTACTED FOR THE LATEST REVISION.		DWN P. YEAGER 15JAN98 CHK G. OVER 15JAN98 APVD G. OVER 15JAN98	AMP AMP Incorporated Harrisburg, PA 17105-3608
DIMENSIONS: INCHES 	TOLERANCES UNLESS OTHERWISE SPECIFIED: 0 PLC ± 1 PLC ± 2 PLC ± 3 PLC ±.002 4 PLC ±.0015 ANGLES ± FINISH -	PRODUCT SPEC - APPLICATION SPEC - WEIGHT -	NAME - SIZE A2 CAGE CODE 00779 DRAWING NO. 1218121 SCALE 15:1 SHEET 1 OF 1 REV 0
MATERIAL -		CUSTOMER DRAWING	