

THIS DRAWING IS UNPUBLISHED.

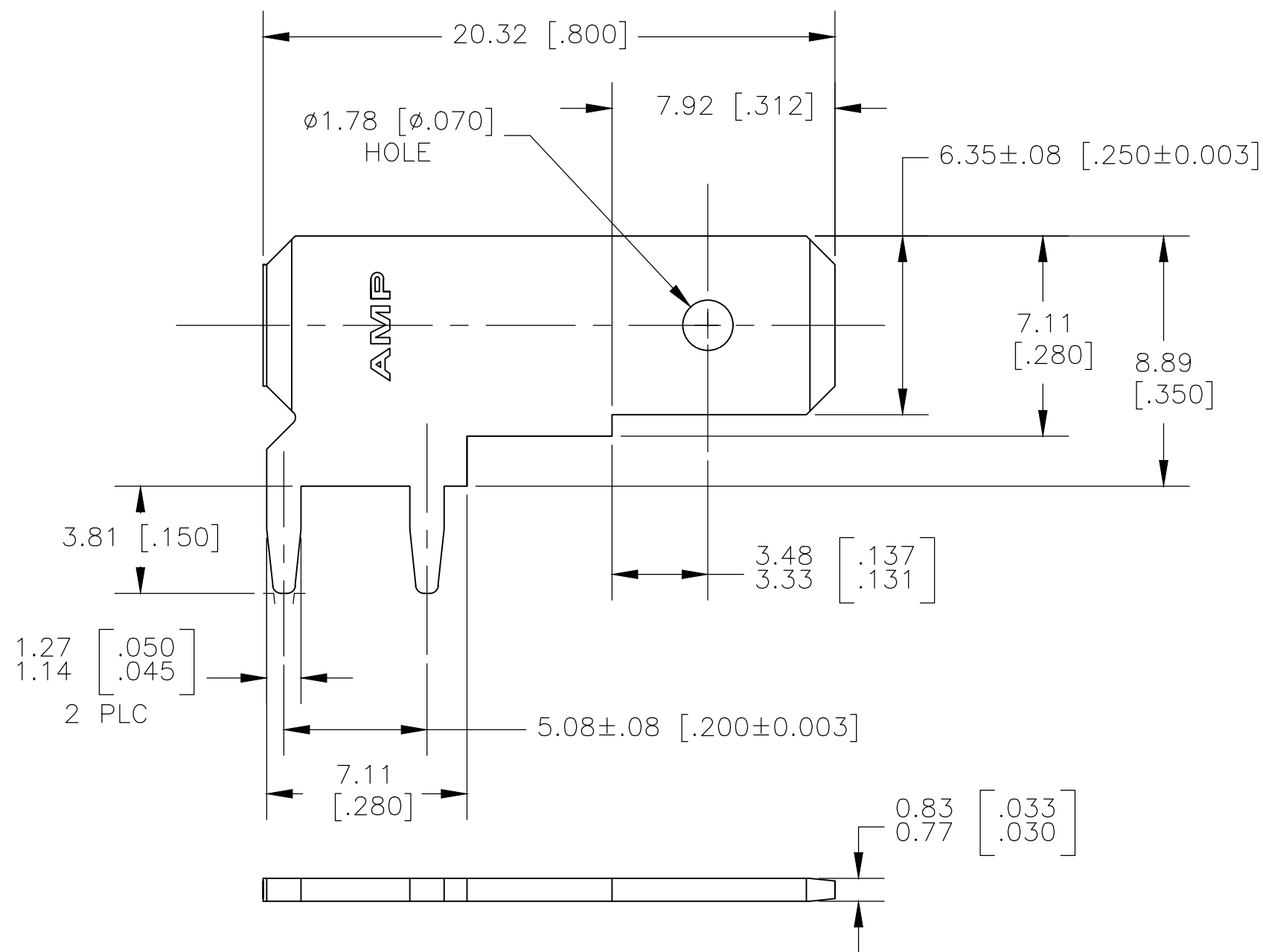
RELEASED FOR PUBLICATION

ALL RIGHTS RESERVED.

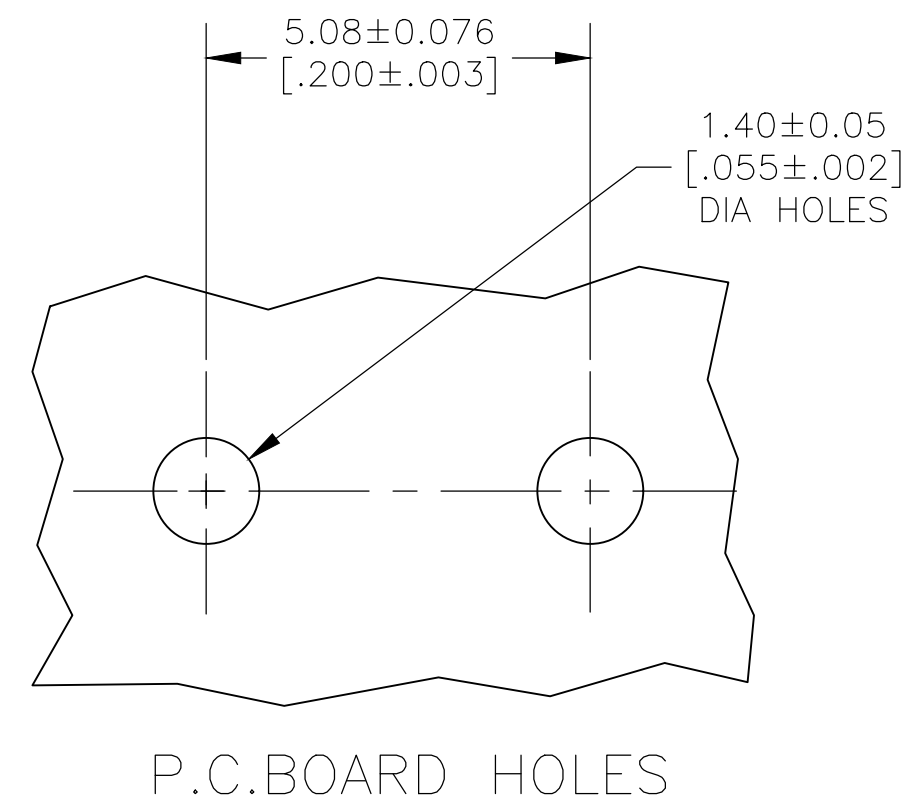
© COPYRIGHT - By -

REVISIONS

P	LTR	DESCRIPTION	DATE	DWN	APVD
D1		REVISED PER ECR-18-005284	18APR2018	RS	PD



- 1 SUPPLIED IN LOOSE PIECE
- 2 0.00381 [.000150] MIN TIN OVER
0.00127 [.000050] MIN NICKEL.
- 3 0.00305 [.000120] MIN SILVER OVER
0.00127 [.000050] MIN NICKEL



3	1217754-2
2	1217754-1
FINISH	PART NO.

THIS DRAWING IS A CONTROLLED DOCUMENT.		DWN JR RUTH 07NOV01	TE Connectivity Ltd.														
DIMENSIONS: INCHES		CHK N DEIBERT 07NOV01															
TOLERANCES UNLESS OTHERWISE SPECIFIED:		APVD N DEIBERT 07NOV01	NAME TAB, FASTON, 6.35 [.250] SERIES, LOOSE PIECE														
<table border="1"> <tr><td>0 PLC</td><td>± -</td></tr> <tr><td>1 PLC</td><td>± -</td></tr> <tr><td>2 PLC</td><td>± 0.25 [.010]</td></tr> <tr><td>3 PLC</td><td>± -</td></tr> <tr><td>4 PLC</td><td>± -</td></tr> <tr><td>ANGLES</td><td>± -</td></tr> </table>		0 PLC	± -	1 PLC	± -	2 PLC	± 0.25 [.010]	3 PLC	± -	4 PLC	± -	ANGLES	± -	PRODUCT SPEC -	APPLICATION SPEC 114-2115		
0 PLC	± -																
1 PLC	± -																
2 PLC	± 0.25 [.010]																
3 PLC	± -																
4 PLC	± -																
ANGLES	± -																
MATERIAL BRASS	FINISH SEE TABLE	WEIGHT -	SIZE A3	CAGE CODE 00779	DRAWING NO C-1217754												
CUSTOMER DRAWING			RESTRICTED TO -	SCALE 5:1	SHEET 1 OF 1												
			REV D1														