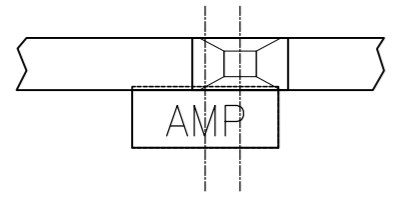
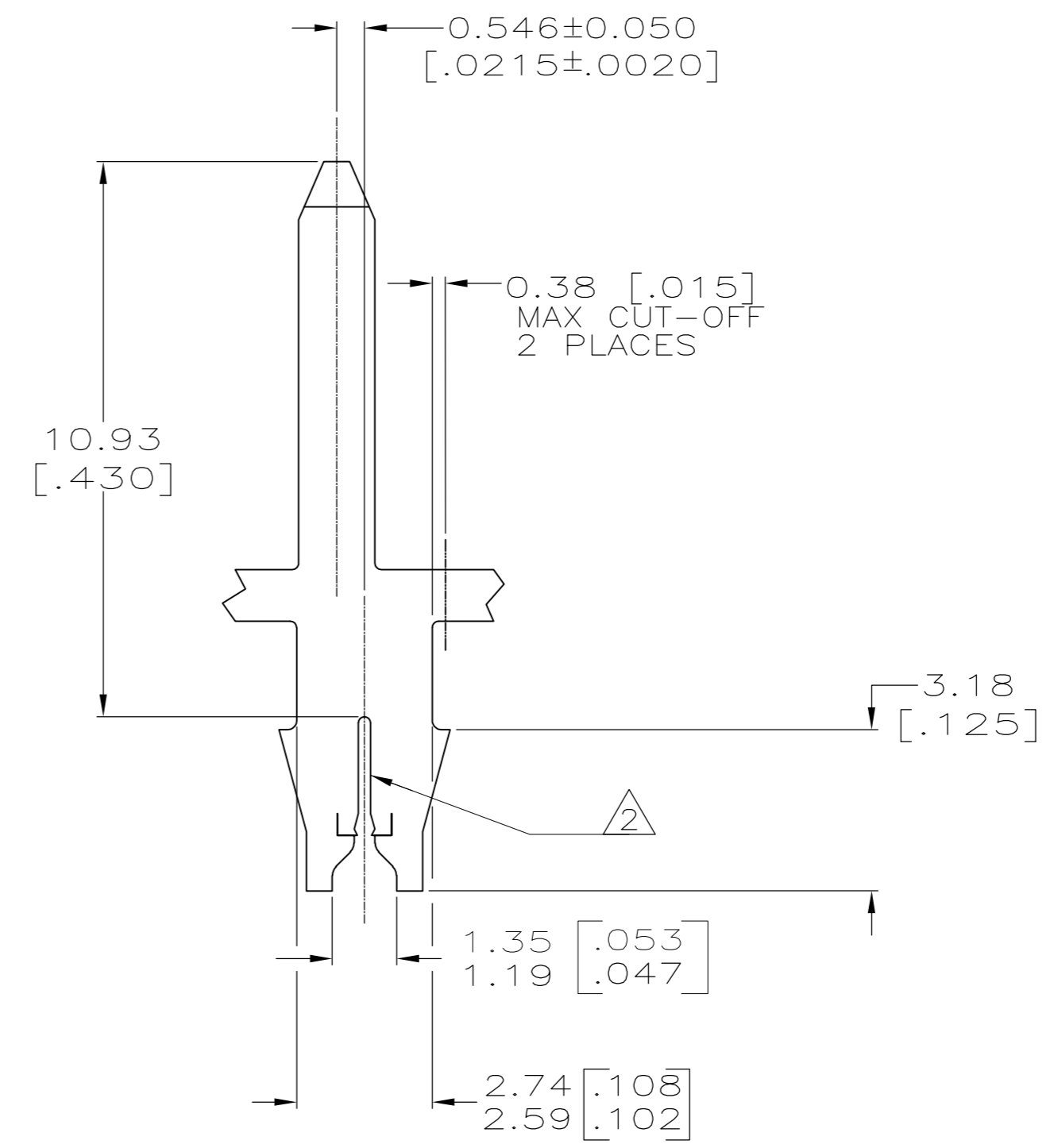
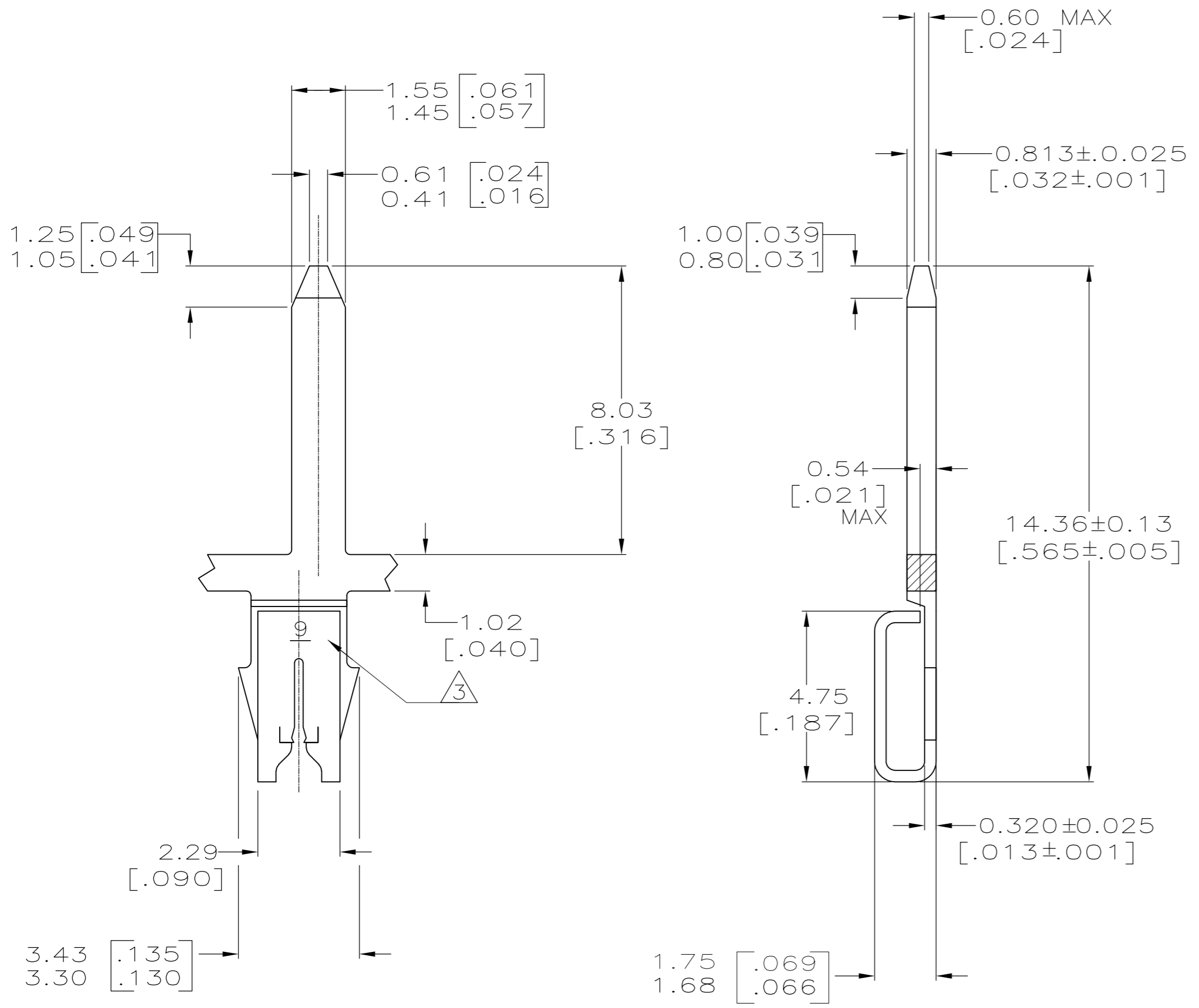


THIS DRAWING IS UNPUBLISHED. RELEASED FOR PUBLICATION
 © COPYRIGHT - By - ALL RIGHTS RESERVED.

LOC		DIST		REVISIONS			
P	LTR	DESCRIPTION		DATE	DWN	APVD	
		C1	ECR-13-016672	25OCT13	PKS	RRP	



- 1 CONTINUOUS STRIP ON REELS WITH TERMINALS LOCATED ON 5.08 ± 0.08 $[\pm 0.003]$ CENTERS.
- 2 SLOT ACCEPTS 0.36-0.45mm [#27-#25] AWG COPPER MAGNET WIRE
- 3 IDENTIFICATION NUMBER 9 FOR WIRE SLOT SIZE.
- 4 TIN PLATE



1217641-1
PART NUMBER

THIS DRAWING IS A CONTROLLED DOCUMENT.		DWN 15MAY2001 MICHAEL S. FEHER		
DIMENSIONS: INCHES		CHK 15MAY2001 KURT A. RANDOLPH		
TOLERANCES UNLESS OTHERWISE SPECIFIED:		APVD 15MAY2001 KURT A. RANDOLPH	NAME	
0 PLC ± -		PRODUCT SPEC	TAB, 1.50[.059] SERIES, RIGHT HAND, 187 SERIES MAG-MATE™	
1 PLC ± -		APPLICATION SPEC	SIZE CAGE CODE DRAWING NO RESTRICTED TO	
2 PLC ± 0.25[.010]		114-2069	A2 00779 C=1217641 -	
3 PLC ± -		WEIGHT -	SCALE 8:1 SHEET 1 of 1 REV C1	
4 PLC ± -		FINISH - 4	CUSTOMER DRAWING	
ANGLES ± -				
MATERIAL BRASS				