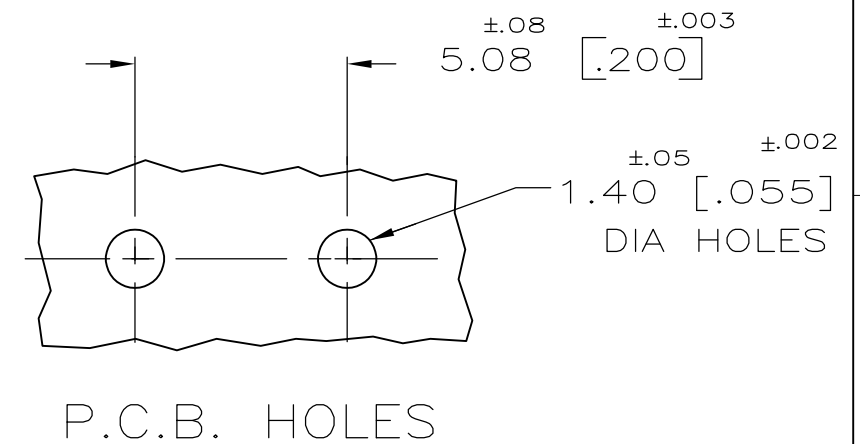
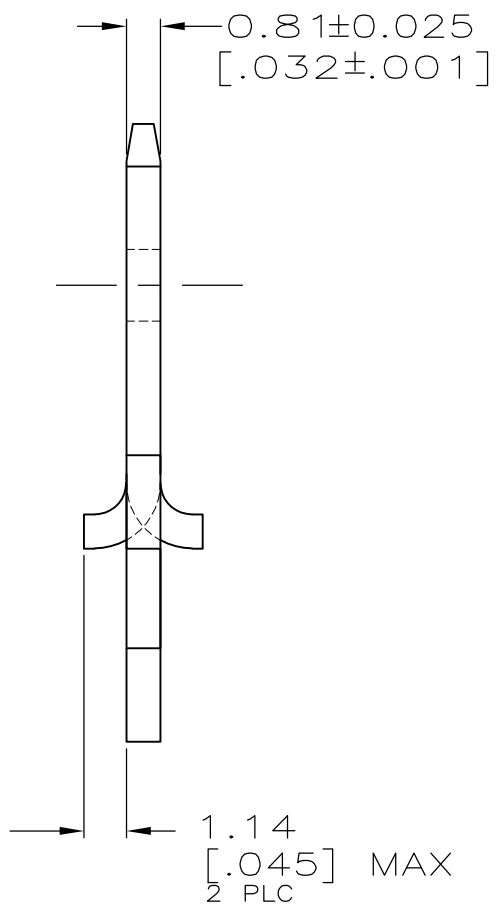
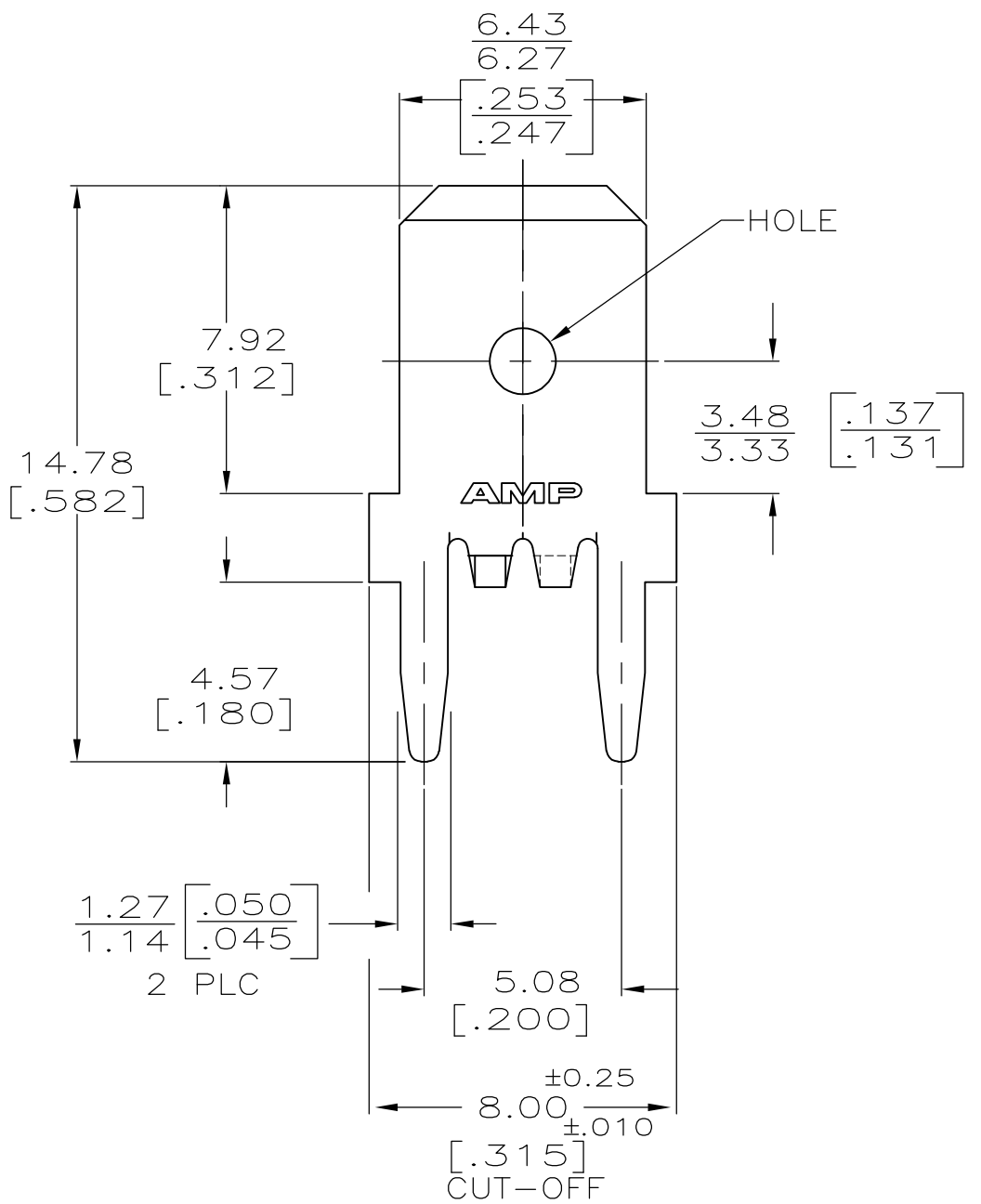


LOC	DIST	REVISIONS					
AF	50	P	LTR	DESCRIPTION	DATE	DWN	APVD
		C		REVISED PER ECR-13-001204	29JUN13	KH	PD

1 TIN PLATE 0.00381 [.000150] MIN OVER
 0.00127 [.000050] MIN THK NICKEL, OR
 0.00254 [.000100] MIN COPPER AS
 ALTERNATE UNDERPLATING.

2 SUPPLIED IN LOOSE PIECE



1217421-1
 PART NO.

THIS DRAWING IS A CONTROLLED DOCUMENT.		DWN	JR RUTH	23MAY00	STE TE Connectivity			
DIMENSIONS: mm [INCHES]		CHK	MS FEHER	23MAY00				
TOLERANCES UNLESS OTHERWISE SPECIFIED:		APVD	G PORTA	23MAY00	NAME			
0 PLC ± -		PRODUCT SPEC	-		TAB, P.C.BOARD, 6.35 [.250] SERIES			
1 PLC ± -		APPLICATION SPEC	114-2115		SIZE	CAGE CODE	DRAWING NO	RESTRICTED TO
2 PLC ± 0.25 [.010]		WEIGHT	-		A3	00779	C-1217421	-
3 PLC ± -		CUSTOMER DRAWING		SCALE	6:1		SHEET	1 OF 1
4 PLC ± -		MATERIAL		BRASS		REV		C
ANGLES ± -		FINISH		1				