

THIS DRAWING IS UNPUBLISHED.

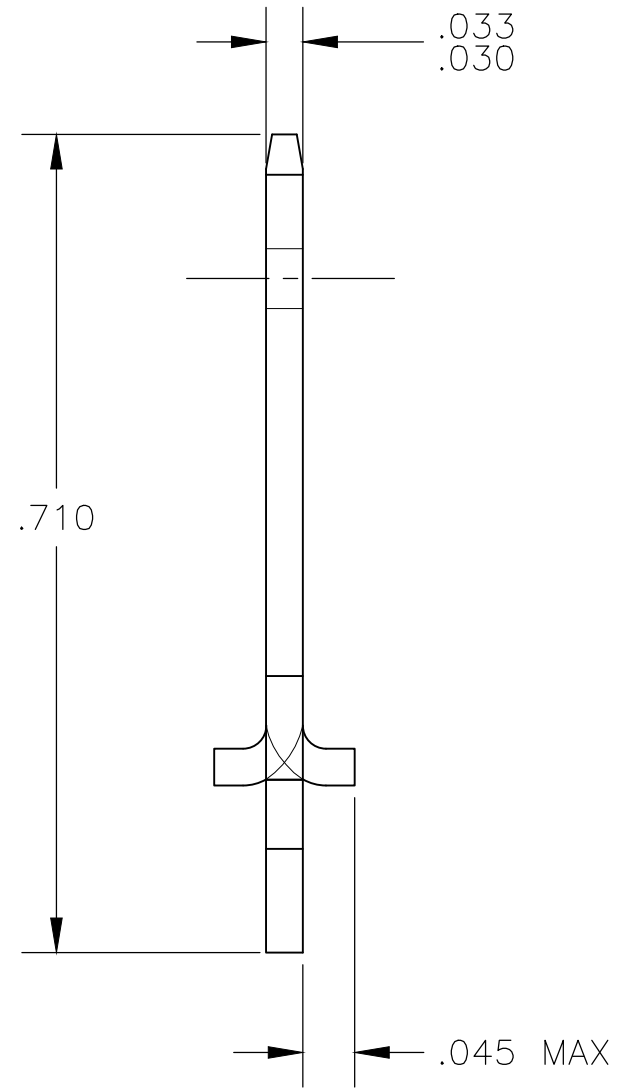
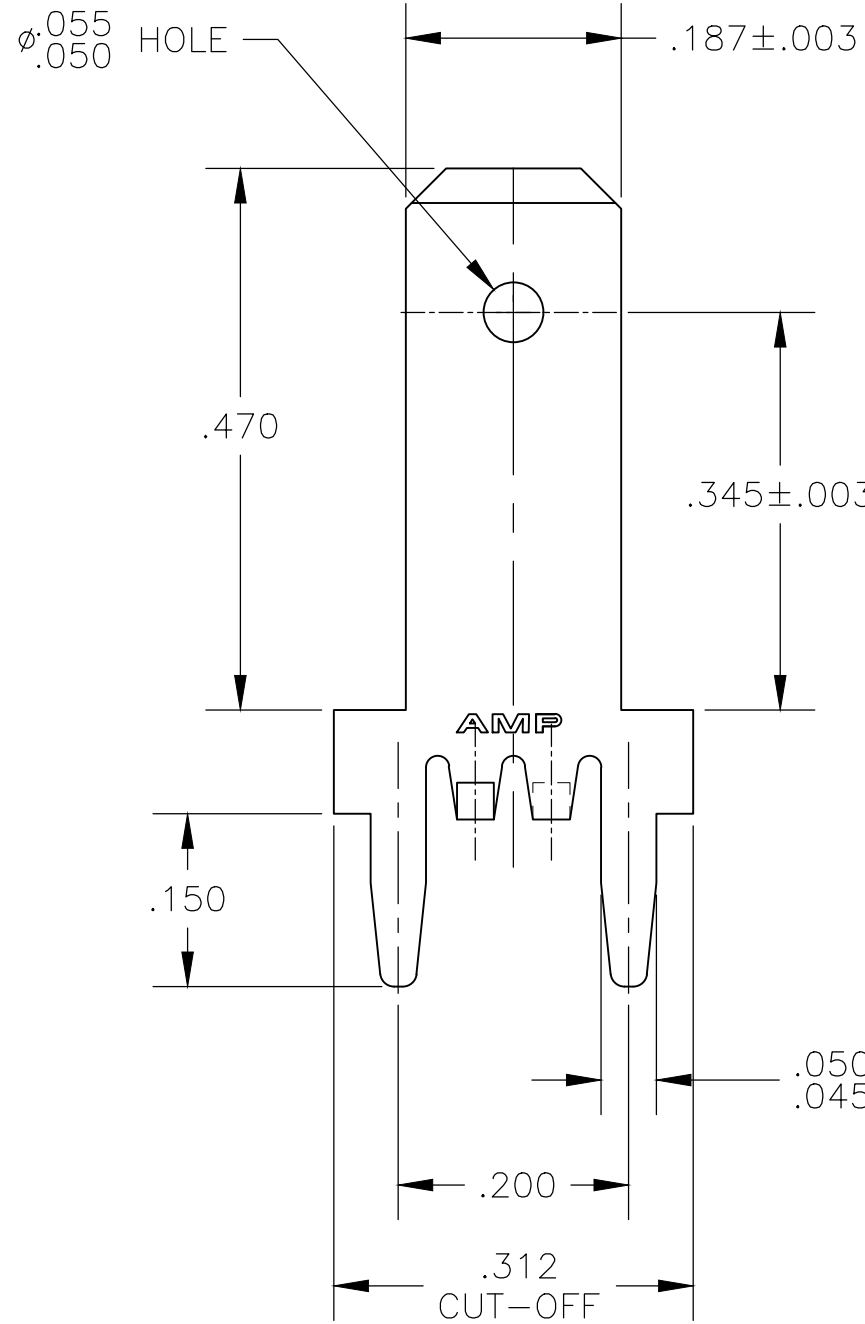
RELEASED FOR PUBLICATION

ALL RIGHTS RESERVED.

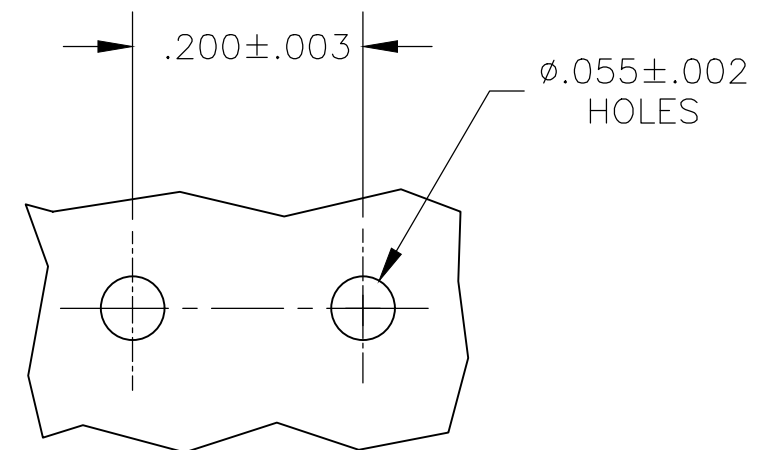
© COPYRIGHT - By -

REVISIONS

P	LTR	DESCRIPTION	DATE	DWN	APVD
	F	REVISED PER ECO-19-000379	09JAN2019	RS	LB



- 1 CONTINUOUS STRIP ON REELS.
- 2 TIN PLATE .000150 MIN OVER .000100 MIN THK COPPER OR TIN PLATE .000150 MIN OVER .000050 MIN THK NICKEL.
- 3 LOOSE PIECE
- 4 BRASS
- 5 BRASS, SPECIAL HARD



1	5	1217124-3
3	4	1217124-2
1	4	1217124-1
PART FORM	MATERIAL	PART NO.

THIS DRAWING IS A CONTROLLED DOCUMENT.		DWN	JR RUTH	23MAR01	<b>STE</b> TE Connectivity		
DIMENSIONS: INCHES		CHK	MS FEHER	23MAR01			
TOLERANCES UNLESS OTHERWISE SPECIFIED:		APVD	N DEIBERT	23MAR01	PRODUCT SPEC -		
0 PLC ± -		APPLICATION SPEC					
1 PLC ± -		114-2115			CAGE CODE 00779		
2 PLC ± .010		WEIGHT					
3 PLC ± -		0.000000			RESTRICTED TO -		
4 PLC ± -		CUSTOMER DRAWING					
4 PLC ANGLES ± -		FINISH			SHEET 1 OF 1		
MATERIAL SEE TABLE		2					