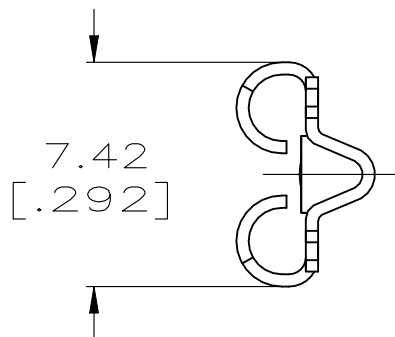
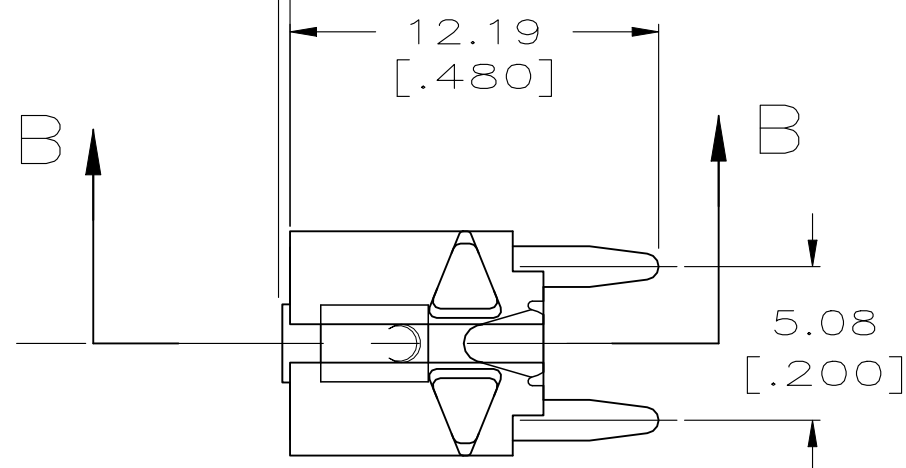


P	LTR	DESCRIPTION	DATE	DWN	APVD
	D	REVISED PER ECN-23-241256	07MAY2024	DB	BW

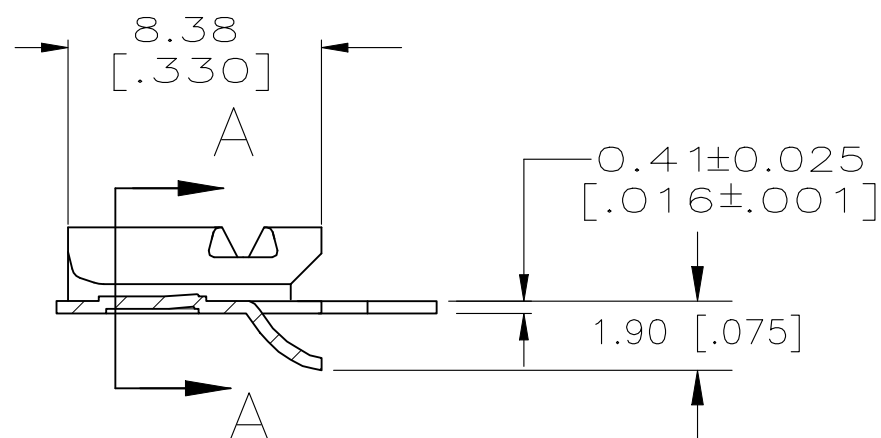
0.25 [.010]
MAX CUT-OFF



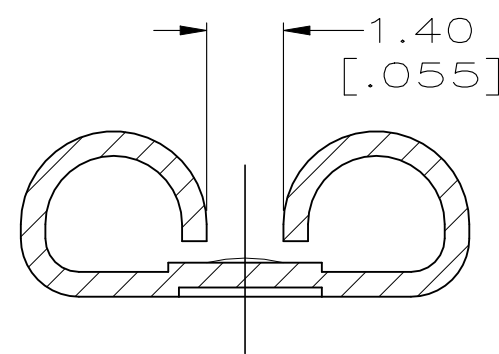
1 SUPPLIED IN LOOSE PIECE FORM.

2 0.00254 [.000100] MIN THK TIN OVER 0.00254 [.000100] MIN THK COPPER, OR OVER 0.00127 [.000050] MIN NICKEL.

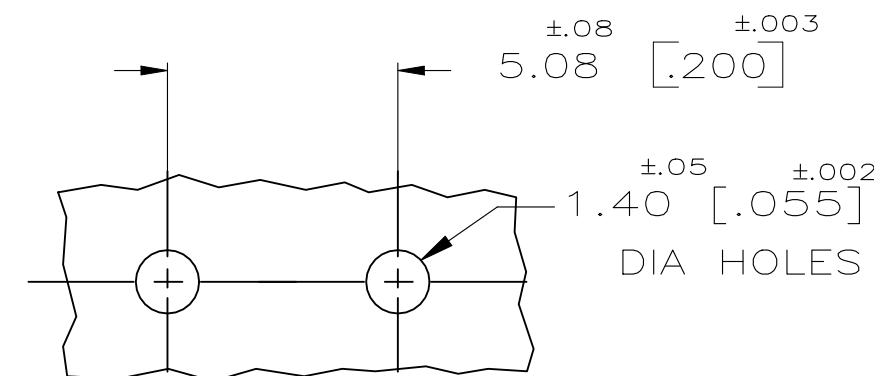
3 MATING TAB THK IS 0.81±0.025 [.032±.001].



SECTION B-B



SECTION A-A
SCALE 8:1



RECOMMENDED
P.C.B. HOLES

1217080-1
PART NO.

THIS DRAWING IS A CONTROLLED DOCUMENT.		DWN JR RUTH 3/30/98	STE TE Connectivity														
DIMENSIONS: INCHES		CHK MS FEHER 3/30/98															
TOLERANCES UNLESS OTHERWISE SPECIFIED:		APVD D BRATINA 3/30/98	NAME RECEPTACLE, FASTON, 6.35/5.21 [.250/.205] SERIES, PC BOARD MOUNTED														
<table border="0"> <tr><td>0 PLC</td><td>± -</td></tr> <tr><td>1 PLC</td><td>± -</td></tr> <tr><td>2 PLC</td><td>± 0.25 [.010]</td></tr> <tr><td>3 PLC</td><td>± -</td></tr> <tr><td>4 PLC</td><td>± -</td></tr> <tr><td>ANGLES</td><td>± -</td></tr> </table>		0 PLC	± -	1 PLC	± -	2 PLC	± 0.25 [.010]	3 PLC	± -	4 PLC	± -	ANGLES	± -	PRODUCT SPEC -	APPLICATION SPEC 114-2156		RESTRICTED TO -
0 PLC	± -																
1 PLC	± -																
2 PLC	± 0.25 [.010]																
3 PLC	± -																
4 PLC	± -																
ANGLES	± -																
MATERIAL BRASS		FINISH -	WEIGHT 0.000000	SIZE A3	CAGE CODE 00779												
			DRAWING NO C-1217080	SCALE 4:1													
			CUSTOMER DRAWING	SHEET 1 OF 1													
				REV D													