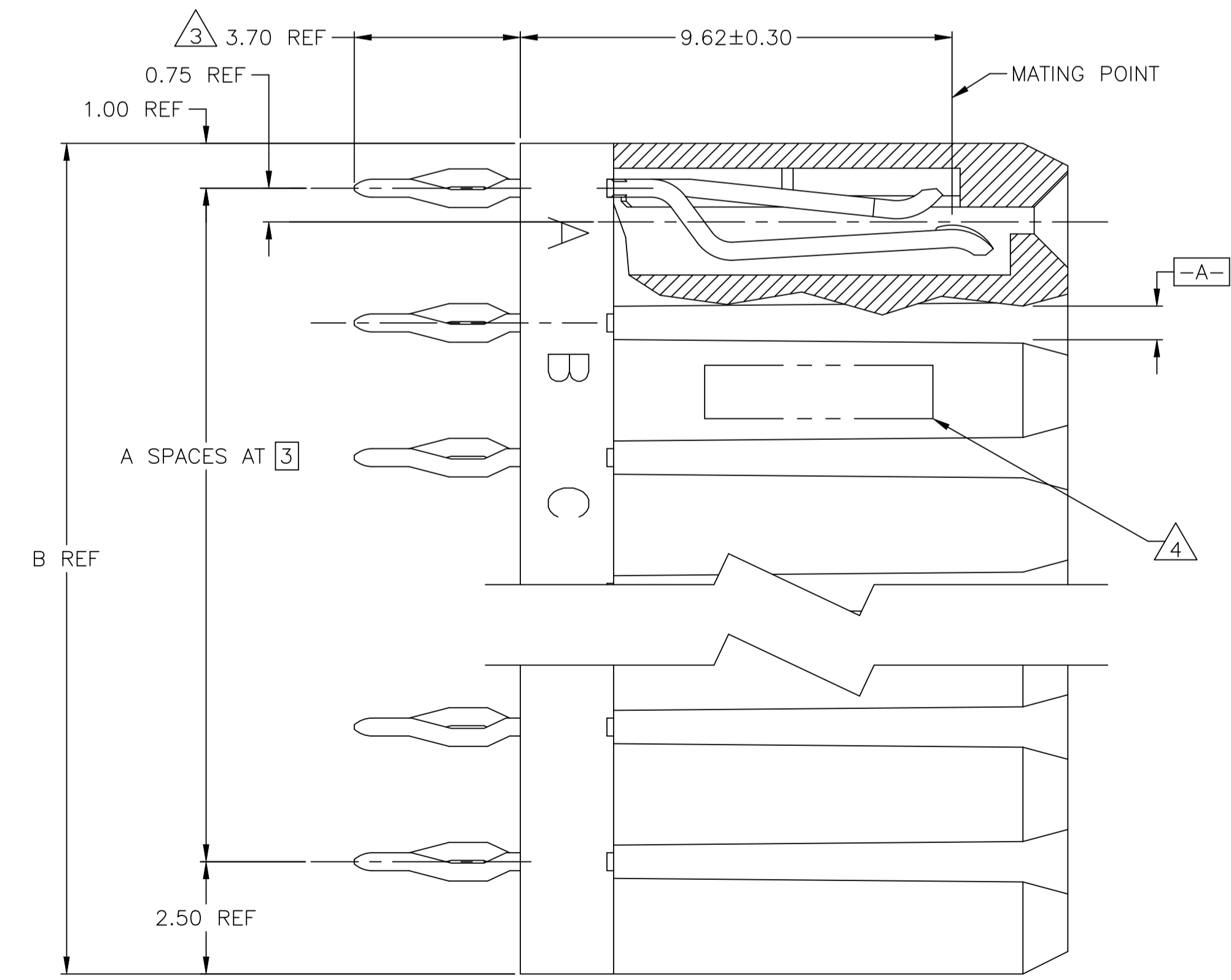
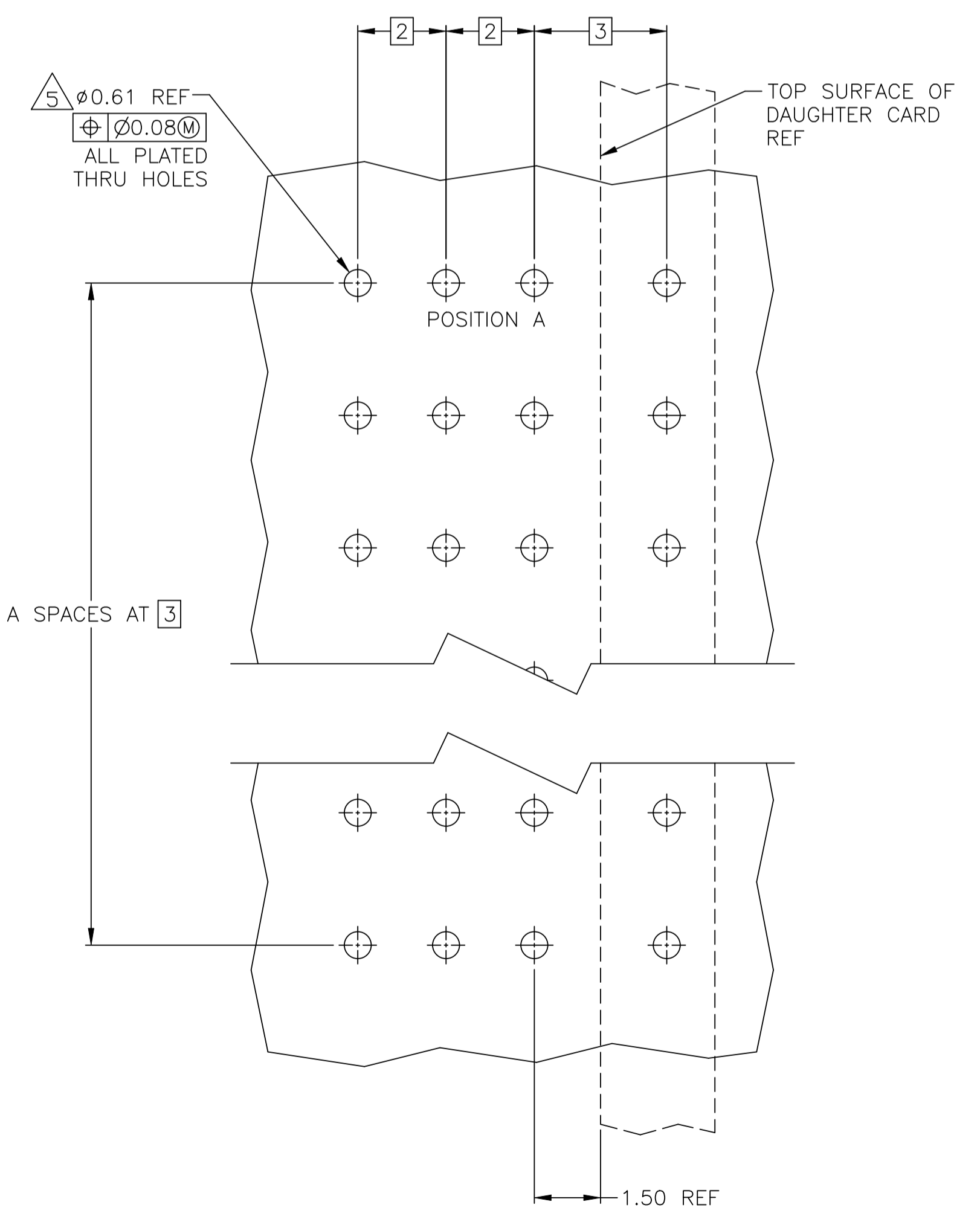
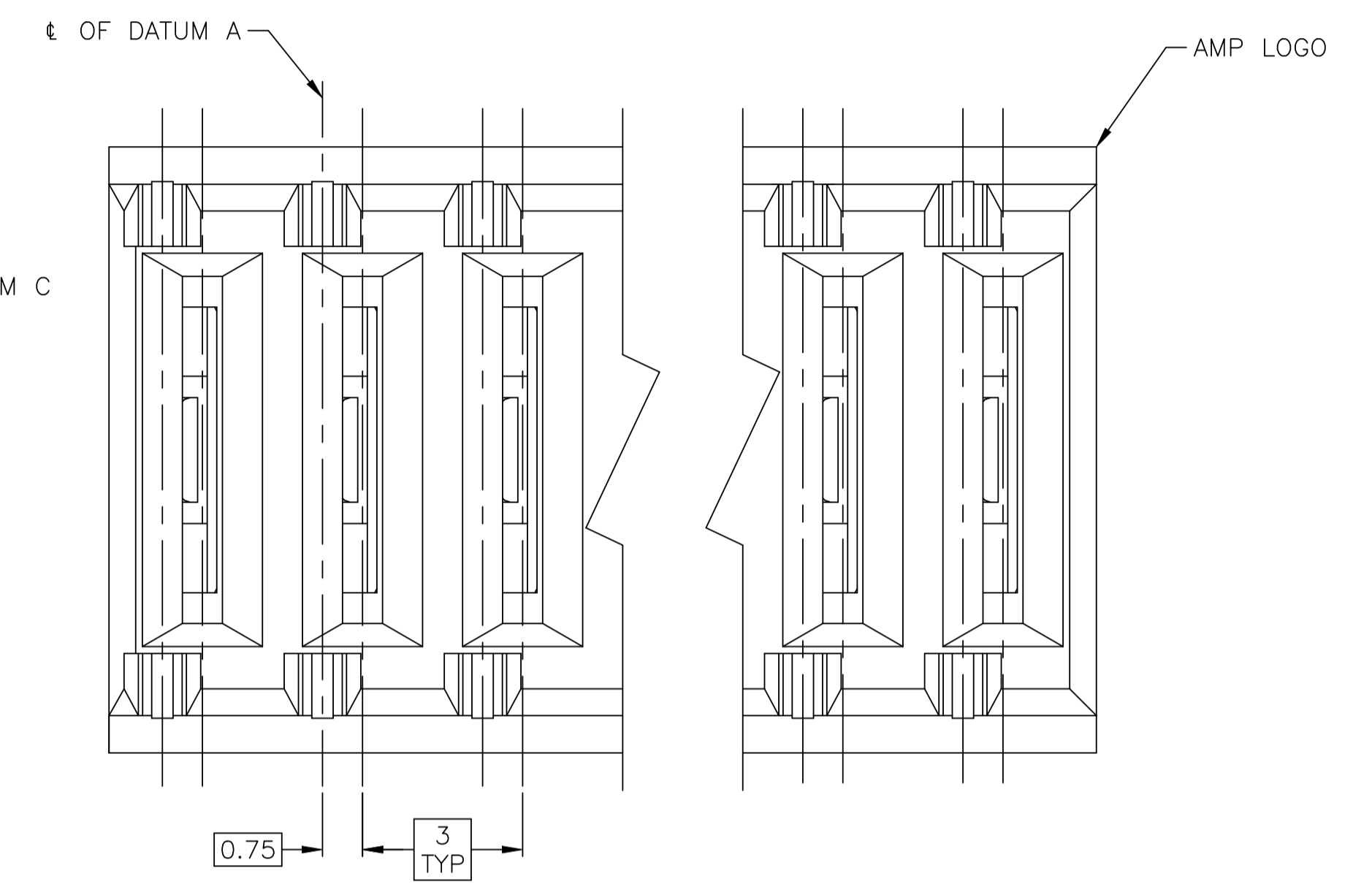
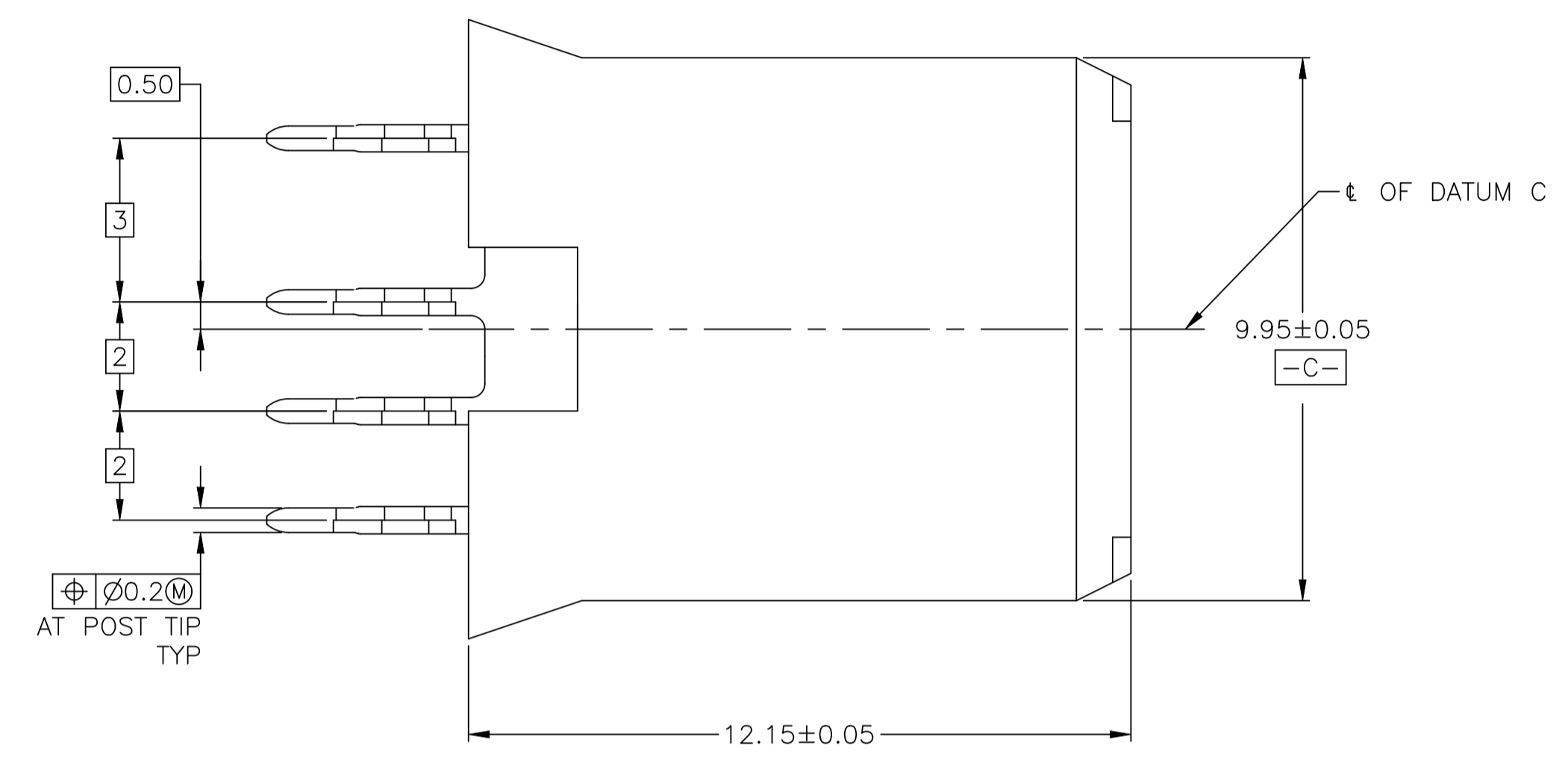
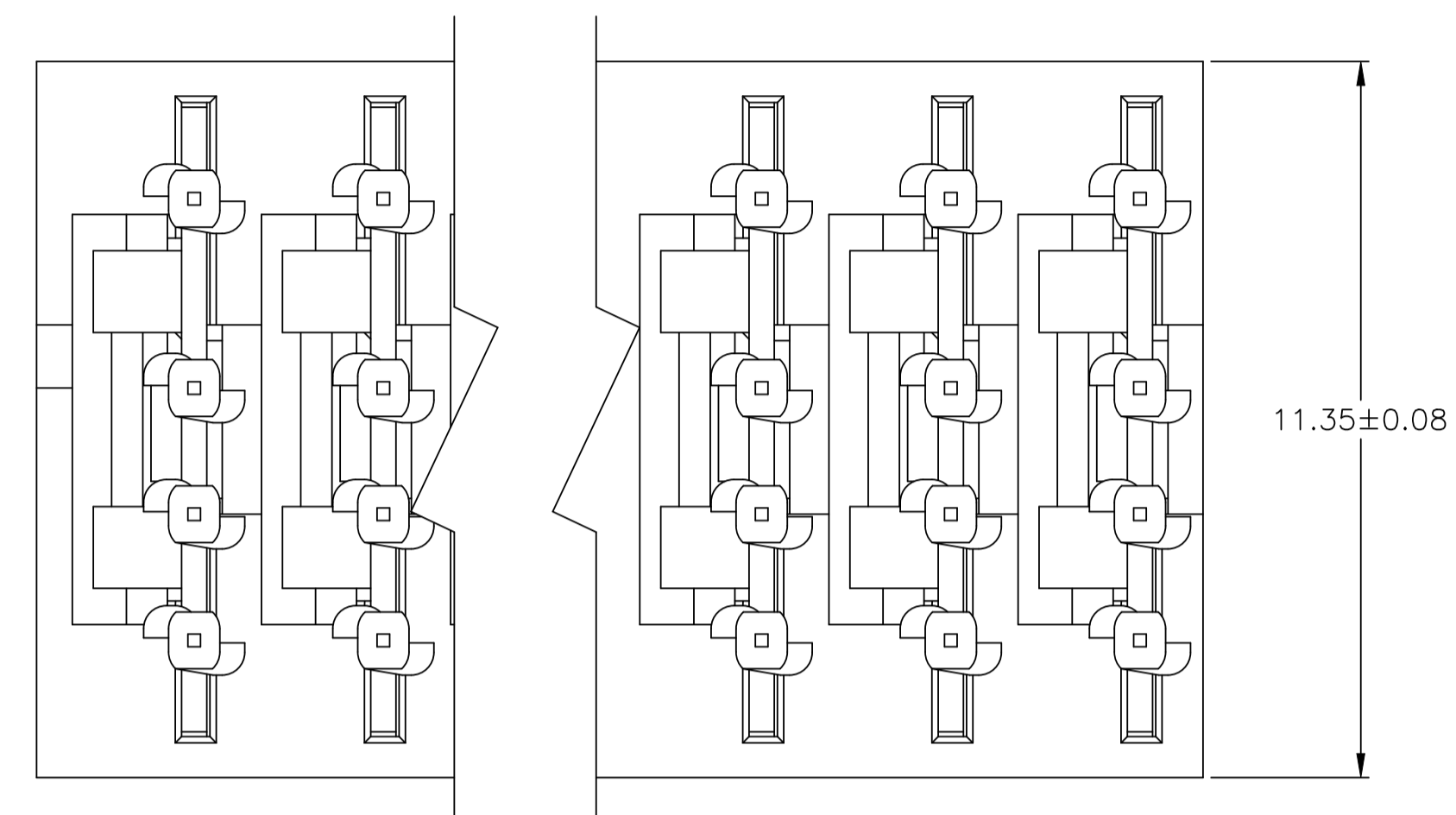


REVISIONS				
REV	DESCRIPTION	DATE	BY	APP'D
B5	ADDED NEW DASH NUMBER -52, AND -53	17APR2023	DP	HW



- 1 MATERIAL: HOUSING : POLYESTER, GRAY. UL 94V-0. CONTACT: HIGH CURRENT COPPER ALLOY.
- 2 FINISH: IN ACCORDANCE WITH PRODUCT SPECIFICATION 108-1651, GOLD PLATING OR EQUIVALENT PLATING ON PRODUCT CONTACT MATING AREA, AND MATTE TIN PLATING ON COMPLIANT PIN AREA, ALL OVER MATTE NICKEL UNDERPLATED. DETAIL PLEASE REFER TO PRODUCT SPECIFICATION 108-1651.
- 3 TOLERANCE TO BE ±0.28 AFTER CONNECTOR IS APPLIED TO PC BOARD.
- 4 DATE CODE THIS APPROXIMATE AREA, OPPOSITE SIDE.
- 5 REFERENCE APPLICATION SPEC 114-1103 FOR RECOMMENDED PLATED THRU HOLE DIAMETER AND PLATING THICKNESS.
- 6 CURRENT RATING 16A/CONTACT PER PRODUCT SPEC 108-1651.
- 7 FINISH: CONTACT LUBRICATION WITH BELLCORE APPROVED LUBRICANT. TECHNICAL REFERENCE: GR-1217-CORE ISSUE 1, NOVEMBER 1995.
- 8 MATERIAL: HOUSING : POLYESTER, BLACK. UL 94V-0. CONTACT: HIGH CURRENT COPPER ALLOY.
- 9 HALOGEN FREE PN

NOTE	POSITION	B REF	A	PART NUMBER
NOTE 2	6	18.5	5	5-120953-3
NOTE 2	5	15.5	4	5-120953-2
NOTE 2	4	12.5	3	1-120953-0
NOTE 2	12	36.5	11	120953-9
NOTE 2	11	33.5	10	120953-8
NOTE 2	10	30.5	9	120953-7
NOTE 2	9	27.5	8	120953-6
NOTE 2	8	24.5	7	120953-5
NOTE 2	7	21.5	6	120953-4
NOTE 2	6	18.5	5	120953-3
NOTE 2	5	15.5	4	120953-2
NOTE 2	4	12.5	3	120953-1

RECOMMENDED PCB HOLE LAYOUT

THIS DRAWING IS A CONTROLLED DOCUMENT.

TE Connectivity

VERTICAL RECEPTACLE ASSEMBLY  
UNIVERSAL POWER MODULE HC

108-1651

114-1103

0.000000

10:1

1 of 1

B5