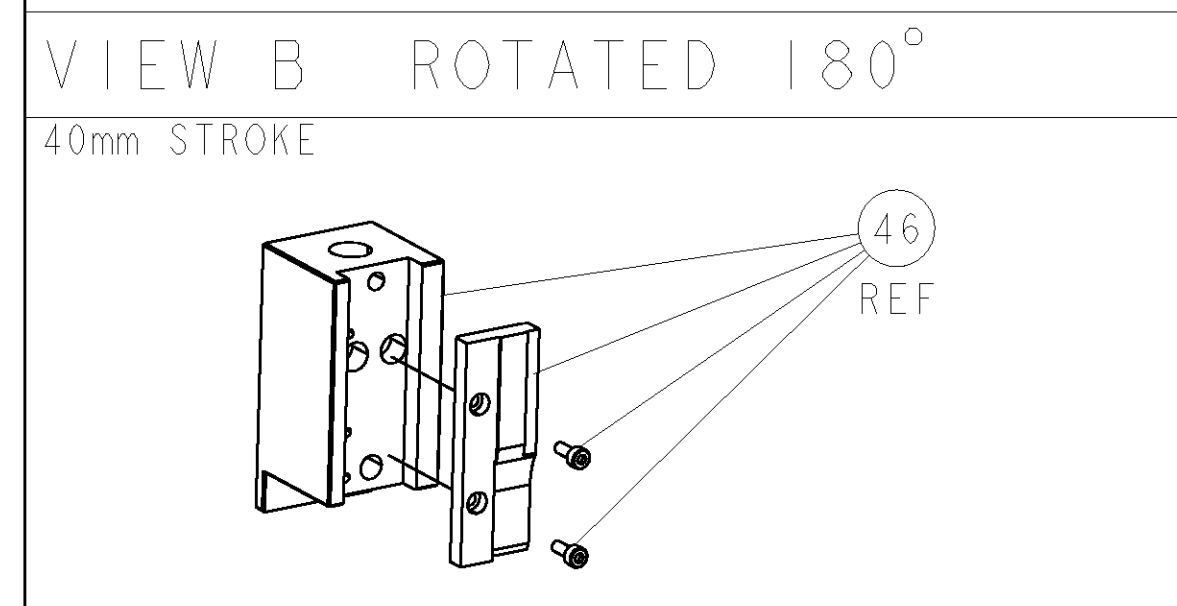


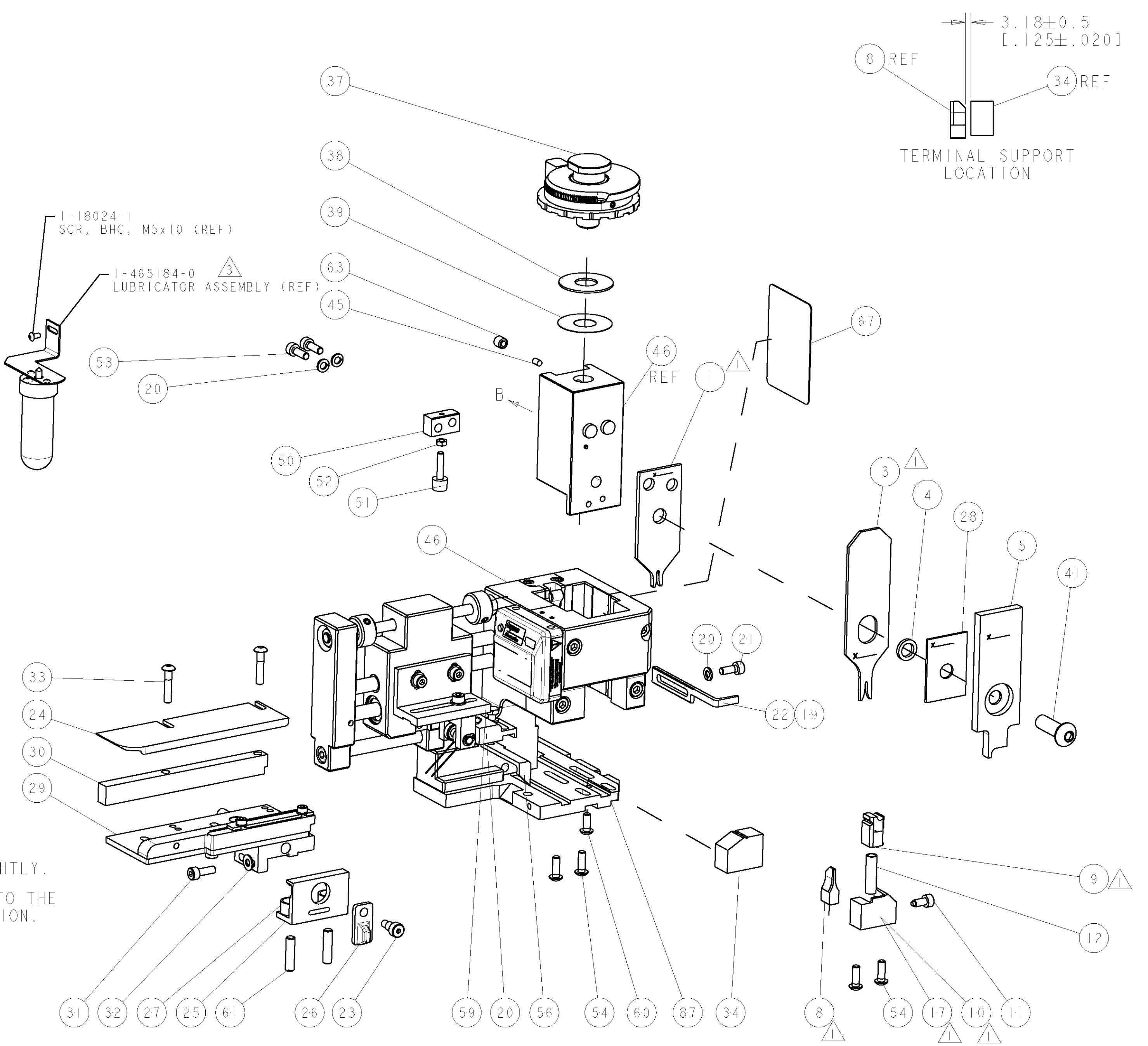
| PART NUMBER | REV | TERMINATOR | FEED TYPE      | DESCRIPTION        |
|-------------|-----|------------|----------------|--------------------|
| 1157150-1   | A   | LEADMAKER  | PNEUMATIC FEED | CUTS CARRIER       |
| 1157150-2   | A   | BENCH      | PNEUMATIC FEED | CUTS CARRIER       |
| 1157150-6   | A   | LEADMAKER  | PNEUMATIC FEED | CONTINUOUS CARRIER |
| 7-1157150-1 | A   | LEADMAKER  | PNEUMATIC FEED | -1 AND SPARE PARTS |
| 7-1157150-2 | A   | BENCH      | PNEUMATIC FEED | -2 AND SPARE PARTS |
| 7-1157150-6 | A   | LEADMAKER  | PNEUMATIC FEED | -6 AND SPARE PARTS |
| 7-1157150-7 | A   | -          | -              | SPARE PARTS KIT    |

| CRIMP DATA   |                                | TE TERMINAL                | TE CRIMP SPECS             |
|--|--------------------------------|----------------------------|----------------------------|
| TERMINAL NAME: PIN & SOCKET, SIZE 22 DF, AMPLIMITE |                                |                            |                            |
| CRIMP  | SIZE                           | TYPE                       | RANGE                      |
| WIRE   | 1.07 [ .042 IN ]               | F                          | 28-22 AWG                  |
| INSUL  | 1.22 [ .048 IN ]               | O                          | 0.76-1.02 [ .030-.040 IN ] |
| WIRE STRIP LENGTH<br>3.18-3.96 [ .125-.156 IN ]    |                                | APPL INSTRUCTIONS          |                            |
| TERMINAL APPL SPEC<br>114-10001                    |                                | FEED 5<br>5.59 [ .220 IN ] |                            |
| TERMINALS APPLIED                                  |                                |                            |                            |
| PIN  | SOCKET                         |                            |                            |
| 748333   | 748610                         | -                          | -                          |
| 216576   | 216577                         | -                          | -                          |
| 1658670  | 1658686                        | -                          | -                          |
| WIRE SIZE  | CRIMP HEIGHT                   | REF SETTING                |                            |
| 22 AWG   | 0.86 ± 0.03 [ .034 ± .001 IN ] | A                          | 5                          |
| 24 AWG   | 0.76 ± 0.03 [ .030 ± .001 IN ] | B                          | 2                          |
| 26 AWG   | 0.69 ± 0.03 [ .027 ± .001 IN ] | B                          | 7                          |
| 28 AWG   | 0.64 ± 0.03 [ .025 ± .001 IN ] | C                          | 1                          |

- △ RECOMMENDED SPARE PARTS.
- 2. GREASE RAM, CAM, CAM FOLLOWER AND FEED ROD LIGHTLY.
- △ CERTAIN TERMINALS REQUIRE LUBRICATION. REFER TO THE APPLICATOR INSTRUCTION SHEET FOR MORE INFORMATION.
- 4. LUBRICATE DAILY PER THE APPLICATOR INSTRUCTION SHEET SUPPLIED WITH THE APPLICATOR.
- △ FEED ADJUSTMENT REQUIRED WHEN SWITCHING FROM PIN TO SOCKET AND VICE VERSA.
- 6. INSULATION CRIMP HEIGHT .057" [ 1.45mm ] REFERENCE.



\* WARNING  
ON INSTALLATION, SET WIRE DISC TO LARGEST WIRE SIZE SETTING. USE OF SETTINGS BELOW MIN. REQUIRED CRIMP HEIGHT SETTING WILL CAUSE DAMAGE TO CRIMP TOOLING.



| LOC | DIST | REV | DESCRIPTION       | DATE      | OWN | APVD |
|-----|------|-----|-------------------|-----------|-----|------|
| E   | B    | A   | SEE ECO-08-006421 | 12MAR2008 | LJL | MC   |

| QTY | UNIT | DESCRIPTION | ITEM NO |    |    |    |           |             |         |
|-----|------|-------------|---------|----|----|----|-----------|-------------|---------|
| -   | -    | -           | 73      |    |    |    |           |             |         |
| -   | -    | -           | 72      |    |    |    |           |             |         |
| -   | -    | -           | 71      |    |    |    |           |             |         |
| -   | -    | -           | 70      |    |    |    |           |             |         |
| -   | -    | -           | 69      |    |    |    |           |             |         |
| -   | -    | -           | 68      |    |    |    |           |             |         |
| -   | -    | -           | 67      |    |    |    |           |             |         |
| -   | -    | -           | 66      |    |    |    |           |             |         |
| -   | -    | -           | 65      |    |    |    |           |             |         |
| -   | -    | -           | 64      |    |    |    |           |             |         |
| -   | -    | -           | 63      |    |    |    |           |             |         |
| -   | -    | -           | 62      |    |    |    |           |             |         |
| -   | -    | -           | 61      |    |    |    |           |             |         |
| -   | -    | -           | 60      |    |    |    |           |             |         |
| -   | -    | -           | 59      |    |    |    |           |             |         |
| -   | -    | -           | 58      |    |    |    |           |             |         |
| -   | -    | -           | 57      |    |    |    |           |             |         |
| -   | -    | -           | 56      |    |    |    |           |             |         |
| -   | -    | -           | 55      |    |    |    |           |             |         |
| -   | -    | -           | 54      |    |    |    |           |             |         |
| -   | -    | -           | 53      |    |    |    |           |             |         |
| -   | -    | -           | 52      |    |    |    |           |             |         |
| -   | -    | -           | 51      |    |    |    |           |             |         |
| -   | -    | -           | 50      |    |    |    |           |             |         |
| -   | -    | -           | 49      |    |    |    |           |             |         |
| -   | -    | -           | 48      |    |    |    |           |             |         |
| -   | -    | -           | 47      |    |    |    |           |             |         |
| -   | -    | -           | 46      |    |    |    |           |             |         |
| -   | -    | -           | 45      |    |    |    |           |             |         |
| -   | -    | -           | 44      |    |    |    |           |             |         |
| -   | -    | -           | 43      |    |    |    |           |             |         |
| -   | -    | -           | 42      |    |    |    |           |             |         |
| -   | -    | -           | 41      |    |    |    |           |             |         |
| -   | -    | -           | 40      |    |    |    |           |             |         |
| -   | -    | -           | 39      |    |    |    |           |             |         |
| -   | -    | -           | 38      |    |    |    |           |             |         |
| -   | -    | -           | 37      |    |    |    |           |             |         |
| -   | -    | -           | 36      |    |    |    |           |             |         |
| -   | -    | -           | 35      |    |    |    |           |             |         |
| -   | -    | -           | 34      |    |    |    |           |             |         |
| -   | -    | -           | 33      |    |    |    |           |             |         |
| -   | -    | -           | 32      |    |    |    |           |             |         |
| -   | -    | -           | 31      |    |    |    |           |             |         |
| -   | -    | -           | 30      |    |    |    |           |             |         |
| -   | -    | -           | 29      |    |    |    |           |             |         |
| -   | -    | -           | 28      |    |    |    |           |             |         |
| -   | -    | -           | 27      |    |    |    |           |             |         |
| -   | -    | -           | 26      |    |    |    |           |             |         |
| -   | -    | -           | 25      |    |    |    |           |             |         |
| -   | -    | -           | 24      |    |    |    |           |             |         |
| -   | -    | -           | 23      |    |    |    |           |             |         |
| -   | -    | -           | 22      |    |    |    |           |             |         |
| -   | -    | -           | 21      |    |    |    |           |             |         |
| -   | -    | -           | 20      |    |    |    |           |             |         |
| -   | -    | -           | 19      |    |    |    |           |             |         |
| -   | -    | -           | 18      |    |    |    |           |             |         |
| -   | -    | -           | 17      |    |    |    |           |             |         |
| -   | -    | -           | 16      |    |    |    |           |             |         |
| -   | -    | -           | 15      |    |    |    |           |             |         |
| -   | -    | -           | 14      |    |    |    |           |             |         |
| -   | -    | -           | 13      |    |    |    |           |             |         |
| -   | -    | -           | 12      |    |    |    |           |             |         |
| -   | -    | -           | 11      |    |    |    |           |             |         |
| -   | -    | -           | 10      |    |    |    |           |             |         |
| -   | -    | -           | 9       |    |    |    |           |             |         |
| -   | -    | -           | 8       |    |    |    |           |             |         |
| -   | -    | -           | 7       |    |    |    |           |             |         |
| -   | -    | -           | 6       |    |    |    |           |             |         |
| -   | -    | -           | 5       |    |    |    |           |             |         |
| -   | -    | -           | 4       |    |    |    |           |             |         |
| -   | -    | -           | 3       |    |    |    |           |             |         |
| -   | -    | -           | 2       |    |    |    |           |             |         |
| -   | -    | -           | 1       |    |    |    |           |             |         |
| -77 | -76  | -72         | -71     | -6 | -2 | -1 | PART NO   | DESCRIPTION | ITEM NO |
| -   | -    | -           | -       | -  | -  | -  | 1320992-1 | PLATE, BASE | 87      |
| -   | -    | -           | -       | -  | -  | -  | -         | -           | 86      |
| -   | -    | -           | -       | -  | -  | -  | -         | -           | 85      |
| -   | -    | -           | -       | -  | -  | -  | -         | -           | 84      |
| -   | -    | -           | -       | -  | -  | -  | -         | -           | 83      |
| -   | -    | -           | -       | -  | -  | -  | -         | -           | 82      |
| -   | -    | -           | -       | -  | -  | -  | -         | -           | 81      |
| -   | -    | -           | -       | -  | -  | -  | -         | -           | 80      |
| -   | -    | -           | -       | -  | -  | -  | -         | -           | 79      |
| -   | -    | -           | -       | -  | -  | -  | -         | -           | 78      |
| -   | -    | -           | -       | -  | -  | -  | -         | -           | 77      |
| -   | -    | -           | -       | -  | -  | -  | -         | -           | 76      |
| -   | -    | -           | -       | -  | -  | -  | -         | -           | 75      |
| -   | -    | -           | -       | -  | -  | -  | -         | -           | 74      |

SET UP GAGE 458637-3

ITEM 30 LOCATED AT FRONT HOLES

FEED TRACK POSITION GUIDE BY INS. BARREL

TERMINAL SUPPORT LOCATION

3.18±0.5 [ .125±.020 ]

1-18024-1 SCR, BHC, M5x10 (REF)

1-465184-0 LUBRICATOR ASSEMBLY (REF)

VIEW B ROTATED 180°

40mm STROKE

\* WARNING ON INSTALLATION, SET WIRE DISC TO LARGEST WIRE SIZE SETTING. USE OF SETTINGS BELOW MIN. REQUIRED CRIMP HEIGHT SETTING WILL CAUSE DAMAGE TO CRIMP TOOLING.

AMP 4895 REV 31MAR2008

Pro/ENGINEER DRAWING

Tyco Electronics UK Ltd  
Terminal House, Stanmore, Middlesex

FINE ADJUST SIDE FEED HDI APPLICATOR

SCALE 3:5 SHEET 1 OF 1 REV A