

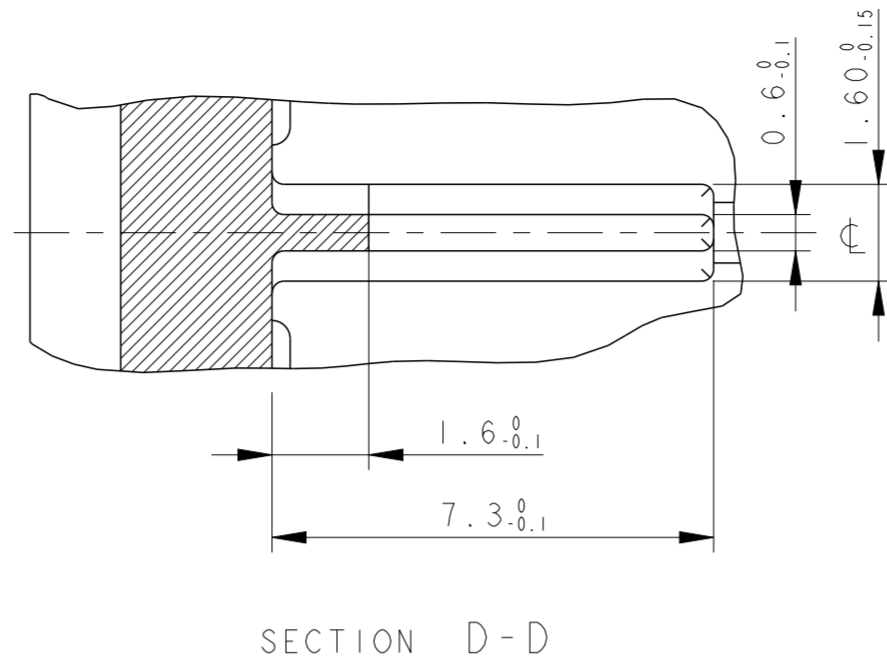
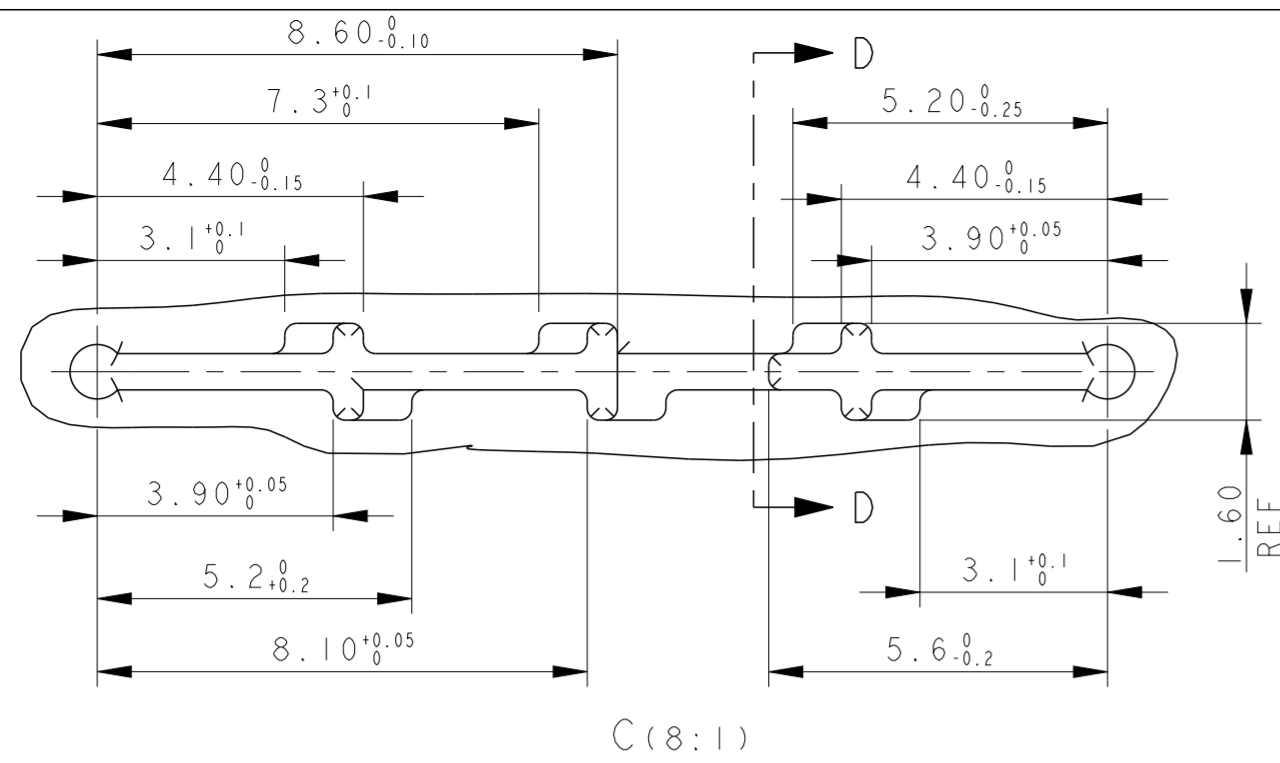
114-20200-1 POLARIZZAZIONE A COME MOSTRATO (KEY CODE A AS SHOWN)

A	RELEASED	08MAY2014	M. P. M. G.
LTR	REVISION RECORD	DATE	DWN APVD

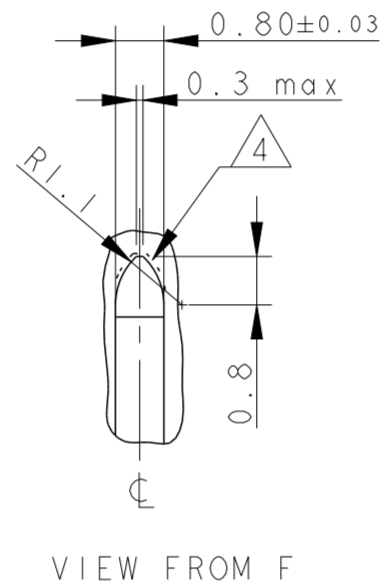
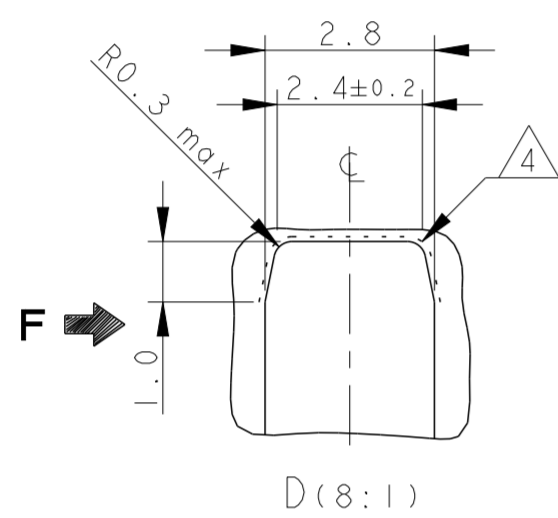
DIMENSIONS: mm		TOLERANCES UNLESS OTHERWISE SPECIFIED:	
0 PLC	± 0.3	1 PLC	± 0.1
2 PLC	± 0.05	3 PLC	±
4 PLC	±		
ANGLES: 1°		SURFACE TEXTURE:	

DWN	M. POLIZZI	08MAY2014	MATERIAL	HEAT TREAT
CHK	M. GURLINO	08MAY2014	2	2
APVD	A. GENTA	08MAY2014	TE Connectivity	
NAME DIMA PER CONNETTORE 12 POS IBRIDO NON A TENUTA (COUNTERPART FOR 12W HYBRID UNSEALED CONN.)				
SCALE	SIZE	DRAWING NO	SHEET	REV
4:1	A2	114-20200	1 OF 2	A

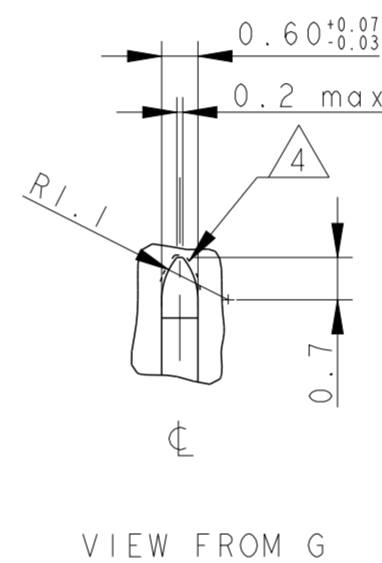
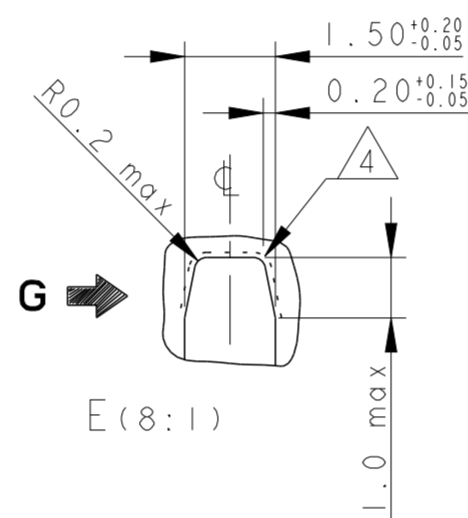
THIS INFORMATION IS CONFIDENTIAL AND PROPRIETARY TO TYCO ELECTRONICS CORPORATION AND ITS WORLDWIDE SUBSIDIARIES AND AFFILIATES (TE). IT MAY NOT BE DISCLOSED TO ANYONE, OTHER THAN TE PERSONNEL, WITHOUT AUTHORIZATION FROM TE (www.te.com).



DETAIL TAB 2.8x0.8 (N.4)



DETAIL TAB 1.5x0.6 (N.8)



**NOTE:**  
**(NOTES)**

1) DIMA PER ACCOPPIAMENTO  
CONNETTORI TE P/N 284853-1, 284853-2.  
(COUNTERPART FOR MATE  
CONNECTORS TE P/N 284853-1, 284853-2).

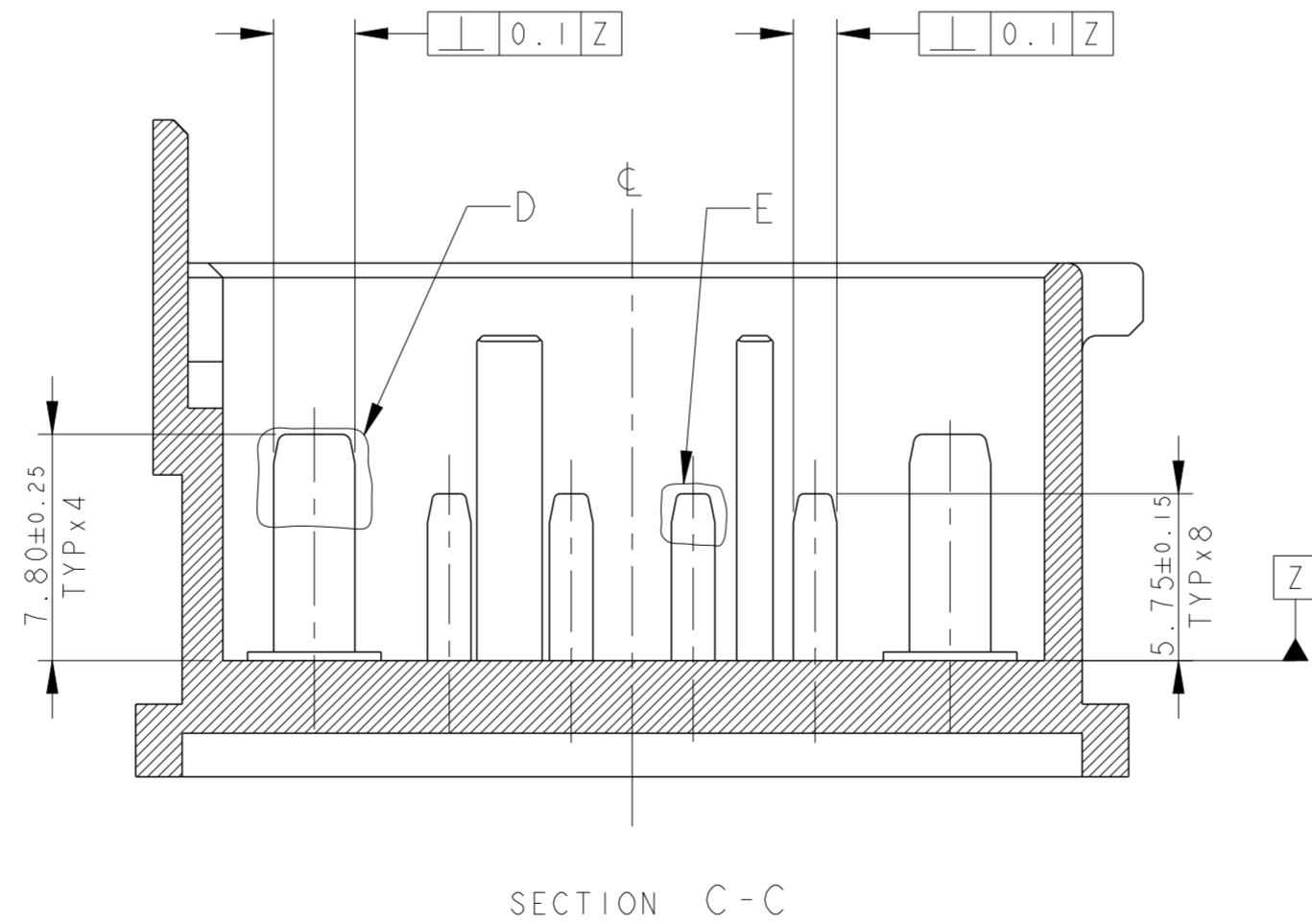
2) MATERIALE HEADER: PA 66 CARICATO VETRO  
O PBT CARICATO VETRO.  
MATERIALE TAB: Cu Sn4.  
RESISTENZA A TRAZIONE: 520-600 N/mm<sup>2</sup>.  
FINITURA: STAGNATURA 1.5-4.0 µm.  
(HEADER MATERIAL: PA 66 GF OR PBT GF.  
TAB MATERIAL: Cu Sn4.  
TENSILE STRENGTH: 520-600 N/mm<sup>2</sup>.  
PLATED: Sn THICKNESS 1.5-4.0 µm).

EVENTUALI MATERIALI ALTERNATIVI DEVONO  
ESSERE CONCORDATI E BENESTARIATI DA  
UFFICIO TECNICO DI TE  
(POSSIBLE ALTERNATIVE MATERIALS MUST  
BE AGREED AND APPROVED BY TE  
ENG. DEPT.)

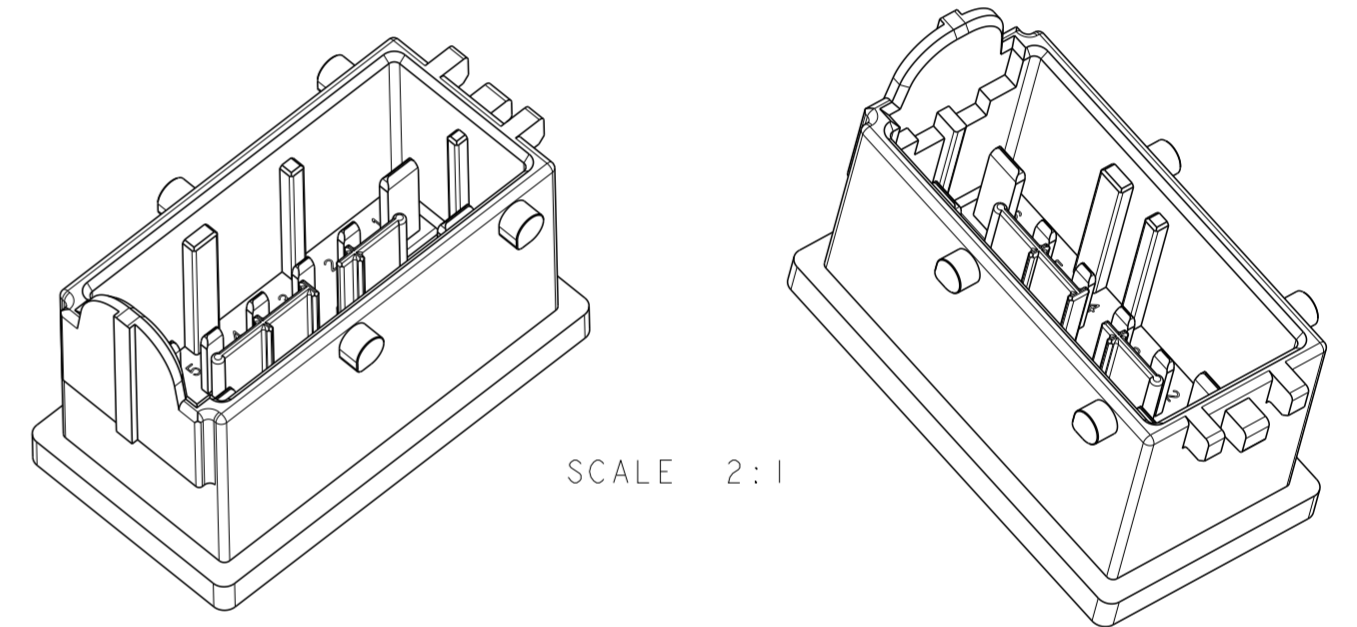
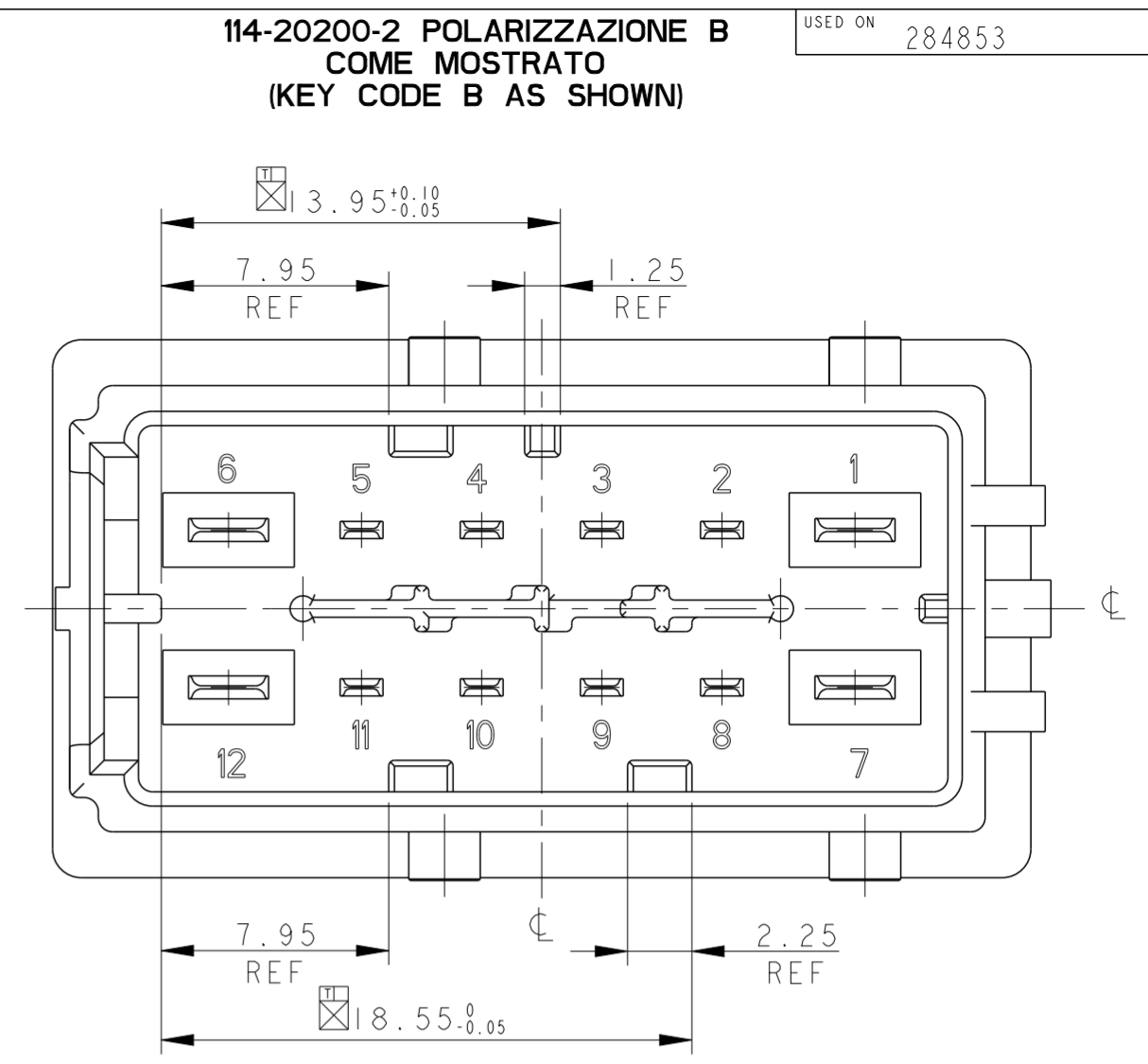
3) I CONTATTI TAB DEVONO GARANTIRE UNA FORZA  
DI RITENZIONE:  
(TAB CONTACTS MUST GUARANTEE A RETENTION FORCE:  
≥ 50N FOR 1.5 CONTACT  
≥ 60N FOR 2.8 CONTACT)

4) BAVE, DISCONTINUITA' E SPIGOLI TAGLIENTI NON  
SONO AMMESSI  
(NO BURRS, OFFSET AND SHARP EDGES PERMITTED)

5) SULLE SUPERFICI NON SONO AMMESSE SPOGLIE  
(NO DRAFT ALLOWED ON SURFACES)



SECTION C-C



**NOTE:**  
**(NOTES)**

1) DIMA PER ACCOPPIAMENTO  
CONNETTORI TE P/N 284853-3, 284853-4.  
(COUNTERPART FOR MATE  
CONNECTORS TE P/N 284853-3, 284853-4).

-	SEE SHEET 1	-	-	-
LTR	REVISION RECORD	DATE	DWN	APVD

DIMENSIONS:		TOLERANCES UNLESS OTHERWISE SPECIFIED:	
mm		0 PLC	±0.3
⊕		1 PLC	±0.1
⊖		2 PLC	±0.05
⊖		3 PLC	±
⊖		4 PLC	±
ANGLES:	1°		
SURFACE TEXTURE:	√		

DWN	M. POLIZZI	08MAY2014	MATERIAL	2	HEAT TREAT	2			
CHK	M. GURLINO	08MAY2014							
APVD	A. GENTA	08MAY2014							
NAME									
DIMA PER CONNETTORE 12 POS IBRIDO NON A TENUTA (COUNTERPART FOR 12W HYBRID UNSEALED CONN.)									
SCALE	4:1	SIZE	A2	DRAWING NO	114-20200	SHEET	2 OF 2	REV	A