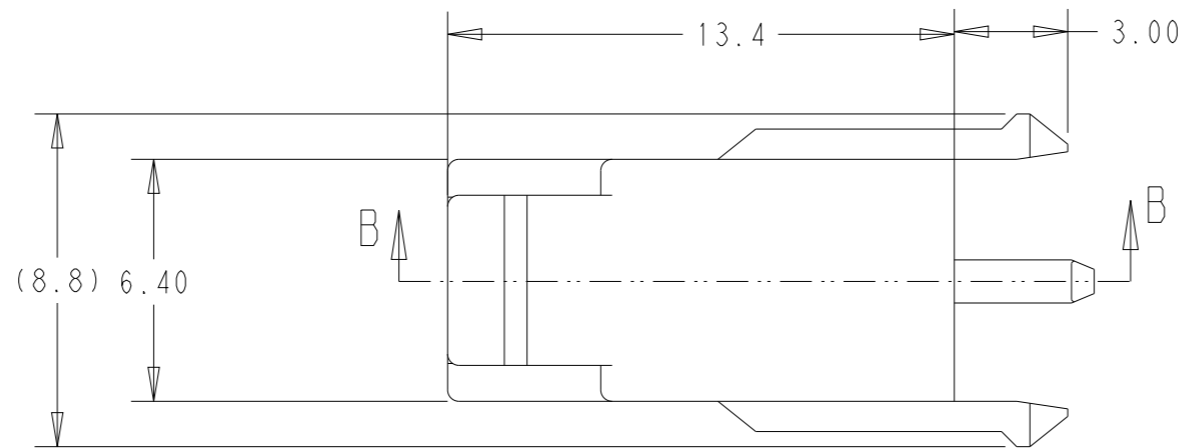


P	LTR	DESCRIPTION	DATE	DWN	APVD
	D1	REVISED PER ECR-20-100500	13OCT2020	S.K	D.Z
	E	REVISED PER ECR-23-185083	30NOV2023	WH	LC



NOTES:

1. MATING CONN P/N X-1123823-X

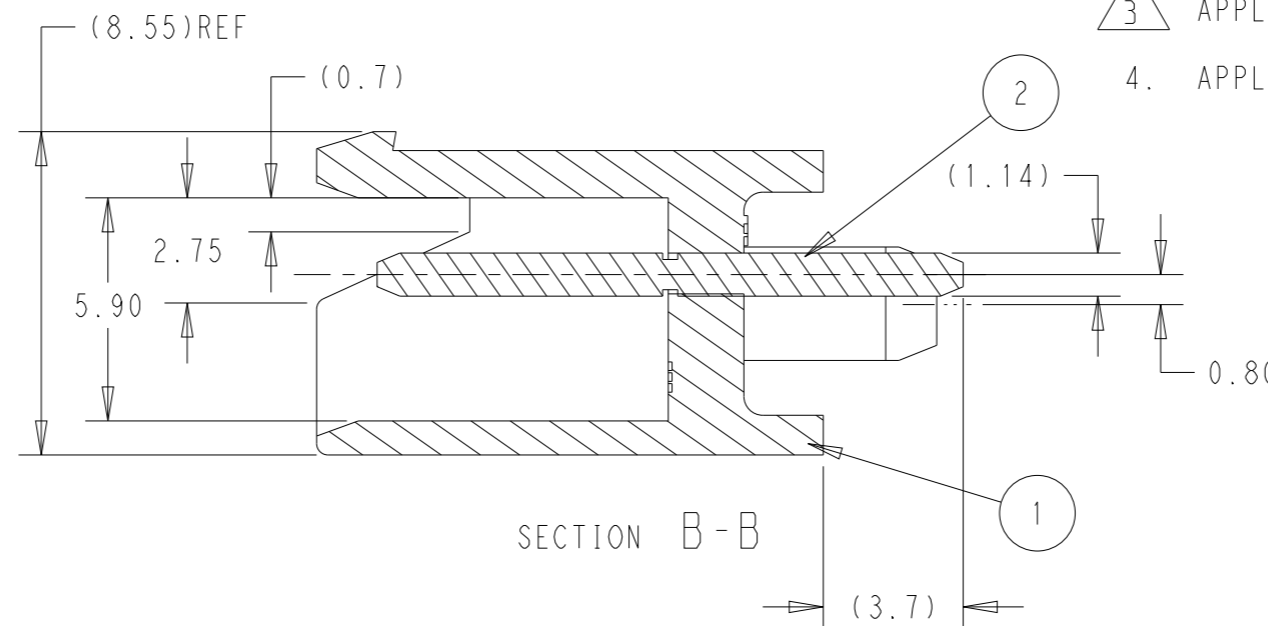
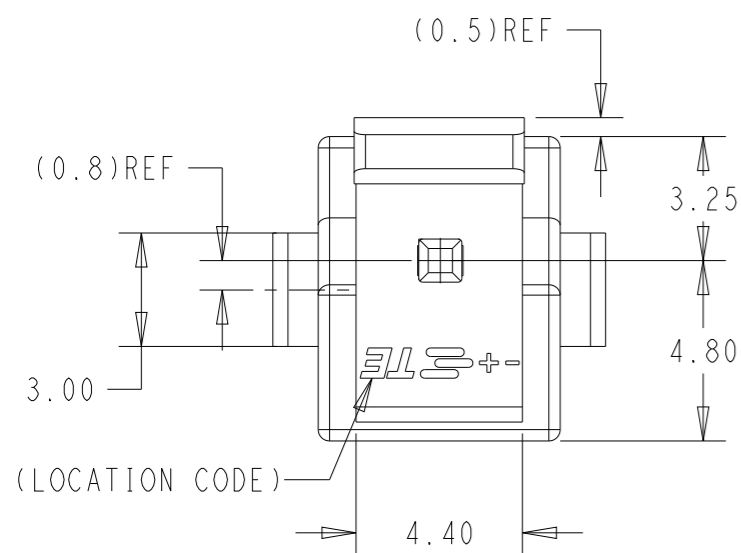
2. APPLICABLE P.C.B LAYOUT : SEE FIG.1  
DIMENSION OF HOLE DIA FOR POST MOUNTING FIG1 INDICATES WITHOUT EYELET.

3. APPLICABLE EYELET : SEE FIG.2

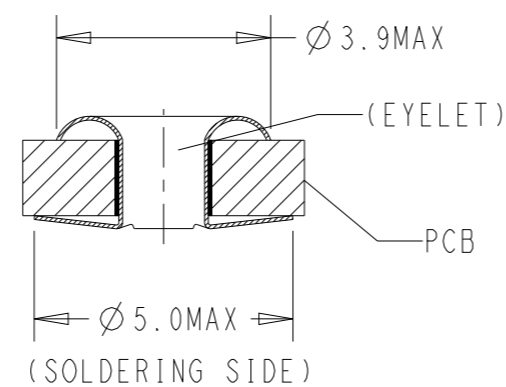
4. APPLICABLE P.C.B THICKNESS : 1.6+

(TABLE 1)

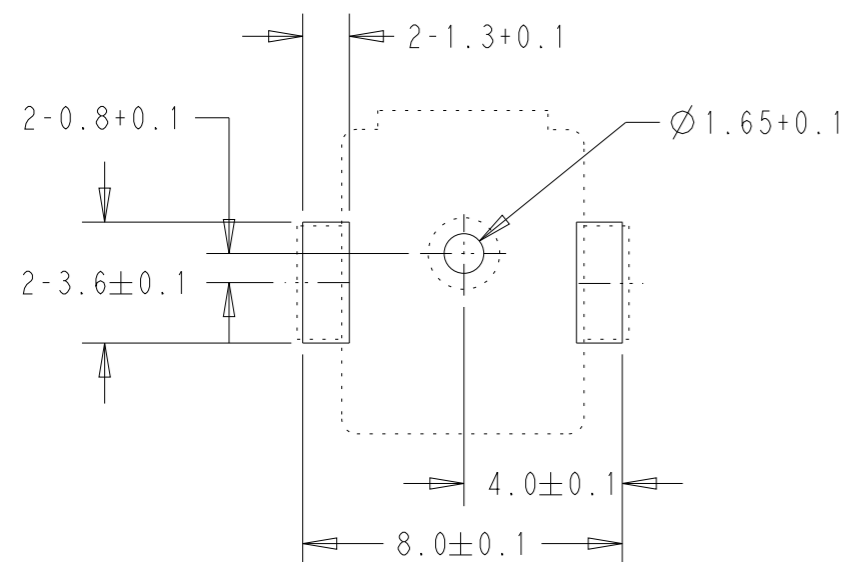
NO	NAME	MATERIAL
1	HEADER HOUSING	PBT UL94V-0
2	POST CONTACT	BRASS - TIN PL



(MOUNTING SIDE)



3 FIG.2



BLACK	5-1123824-1
RED	4-1123824-1
BLUE	3-1123824-1
YELLOW	2-1123824-1
NATURAL	1-1123824-1
COLOR	PART NUMBER

THIS DRAWING IS A CONTROLLED DOCUMENT.

DIMENSIONS:	TOLERANCES UNLESS OTHERWISE SPECIFIED:
mm	
0 PLC	±-
1 PLC	±0.25
2 PLC	±0.20
3 PLC	±-
4 PLC	±-
ANGLES	±3°
MATERIAL	FINISH
SEE TABLE 1	-

DWN	K. KOMACHI	07APR03
CHK	M. SHINDO	07APR03
APVD	M. SHINDO	07APR03
PRODUCT SPEC	108-5609	
APPLICATION SPEC	-	
WEIGHT	-	
CUSTOMER DRAWING		

		TE Connectivity	
		ECONOMY POWER(EP) CONN. HEADER ASSY 1POS	
SIZE	CAGE CODE	DRAWING NO	RESTRICTED TO
A3	00779	1123824	-
SCALE		SHEET	REV
N/A		1 OF 1	E