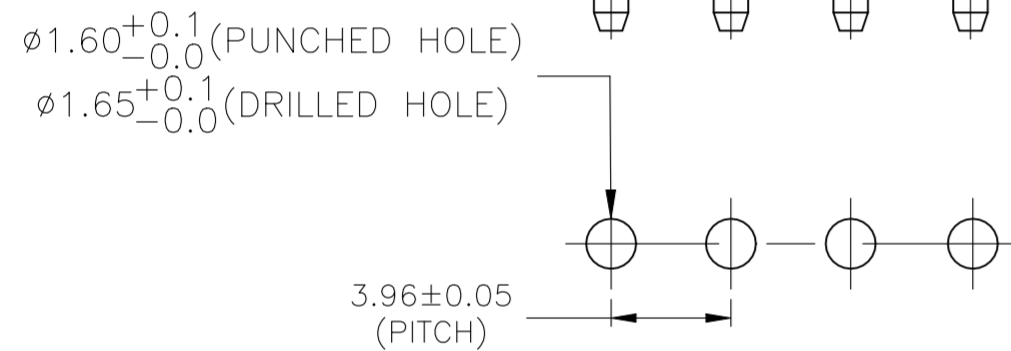
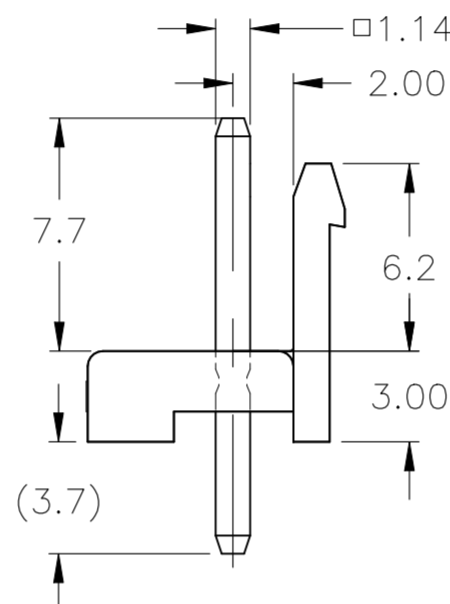
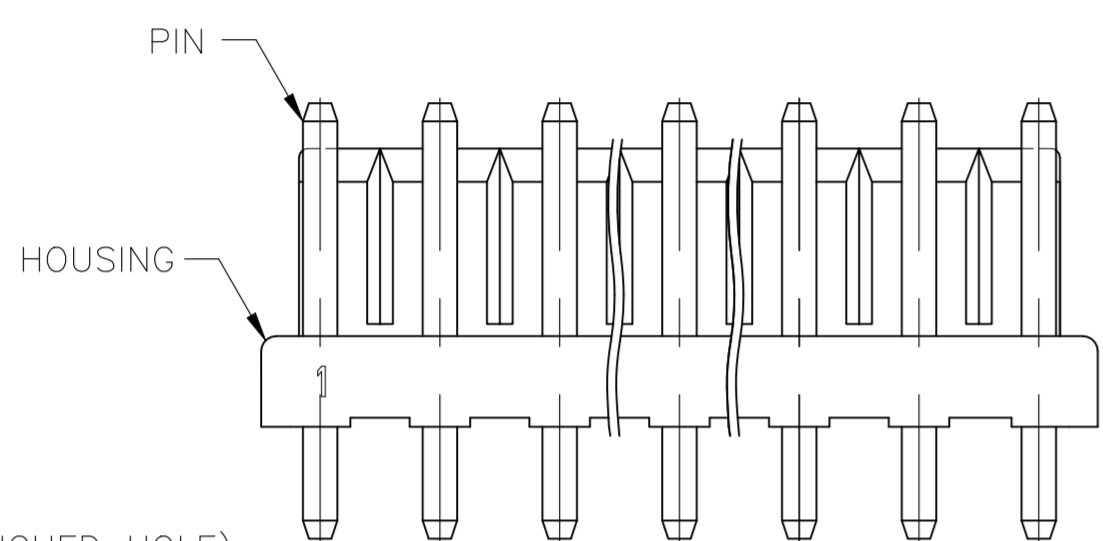
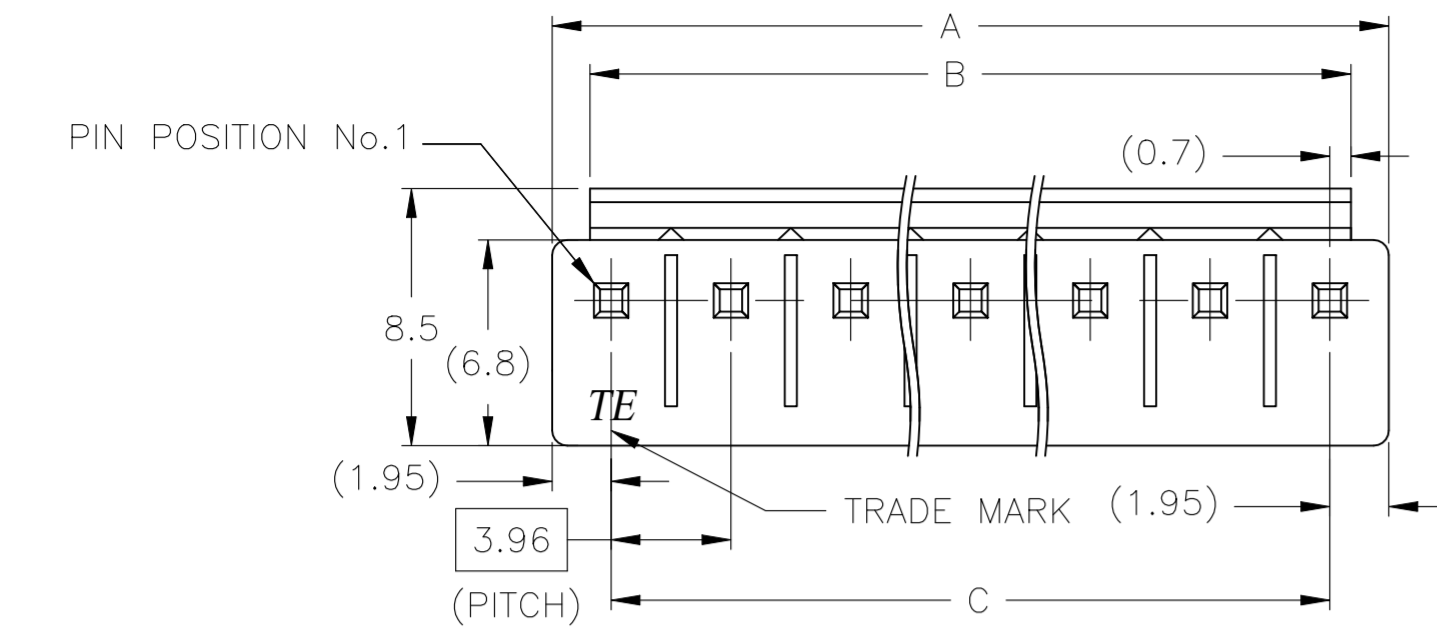


THIS DRAWING IS UNPUBLISHED. RELEASED FOR PUBLICATION
 © COPYRIGHT - By - ALL RIGHTS RESERVED.

REVISIONS					
P	LTR	DESCRIPTION	DATE	DWN	APVD
C10		REVISED PER ECR-23-165988	03MAR2023	N.H	L.C



4 2 FIG. 1

- 1 MATING CONN P/N: □-1123722-□
- 2 APPLICABLE P.C.B LAYOUT: SEE FIG. 1
- 3 APPLICABLE P.C.B THICKNESS: 1.60.
- 4 SKETCHES SHOW NO PIN MISSING.
- 5 COMPLY WITH GLOW WIRE REQUIREMENTS FOR PARTS OF NON-METALIC MATERIAL SUPPORTING A CURRENT CARRYING CONNECTION DETAILED IN IEC 60335-1 SECTION 30. (GWT [GLOW WIRE TEST]) 750° SPEC.
- 6 CONTACT: POST TIN OVER BRASS
- 7 HOUSING: PBT, 30% GLASS, UL94-V0(ONLY NATURAL COLOR).
- 8 BALANCE OF X-1123724-X WILL BE REMOVED FROM DRAWING 1123723 IN THE NEAR FUTURE AND ADDED TO THIS DRAWING.
- 9 0 : WITH PIN,
X : WITHOUT PIN.
- 10 HOUSING: NYLON, 15% GLASS

NO	YES	YES	NO	YES	YES	PIN POSITION											"c"	"B"	"A"	COLOR	POSN	ASS'Y P/N
						27.72	29.12	31.62	NATURAL	8	1-1123724-7											
						39.60	41.00	43.50	NATURAL	11	8-1123724-6											
									NATURAL		7-1123724-6											
									NATURAL		1-1123724-6											
									NATURAL		9-1123724-6											
									NATURAL		7-1123724-5											
									GREEN		6-1123724-5											
									BLACK		5-1123724-5											
						31.68	33.08	35.58	RED	9	4-1123724-5											
									BLUE		3-1123724-5											
									YELLOW		2-1123724-5											
									NATURAL		1-1123724-5											
									ORANGE		9-1123724-4											
									PINK		8-1123724-4											
									GRAY		7-1123724-4											
									NATURAL		7-1123724-1											
						23.76	25.16	27.66	GREEN	7	6-1123724-4											
									BLACK		5-1123724-4											
									RED		4-1123724-4											
									BLUE		3-1123724-4											
									YELLOW		2-1123724-4											
									NATURAL		1-1123724-4											
									NATURAL		7-1123724-3											
									GREEN		6-1123724-3											
									BLACK		5-1123724-3											
						15.84	17.24	19.74	RED	5	4-1123724-3											
									BLUE		3-1123724-3											
									YELLOW		2-1123724-3											
									NATURAL		1-1123724-3											
									GREEN		6-1123724-2											
									BLACK		5-1123724-2											
						7.92	9.32	11.82	RED	3	4-1123724-2											
									BLUE		3-1123724-2											
									YELLOW		2-1123724-2											
									NATURAL		1-1123724-2											
GWT	5	HOUSING MATERIAL	1	2	3	4	5	6	7	8	9	10	11	"c"	"B"	"A"	COLOR	POSN	ASS'Y P/N			

THIS DRAWING IS A CONTROLLED DOCUMENT.

DWN	18JAN2014	NAGALAKSHMI K
CHK	18JAN2014	MICHELUTTI THOMAS
APVD	18JAN2014	MICHELUTTI THOMAS
PRODUCT SPEC	108-5609	
APPLICATION SPEC	114-32134	
WEIGHT	-	
CUSTOMER DRAWING	SCALE N/A	SHEET 1 OF 1

TE Connectivity
 3.96MM PITCH ECONOMY POWER (EP) CONNECTOR HEADER ASSEMBLY

DRAWING NO: C=1123724
 SHEET 1 OF 1
 REV C10