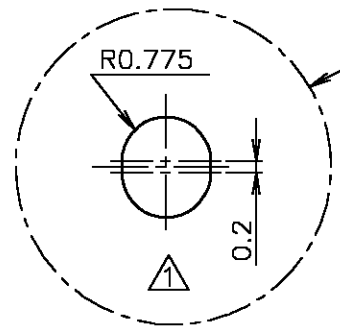
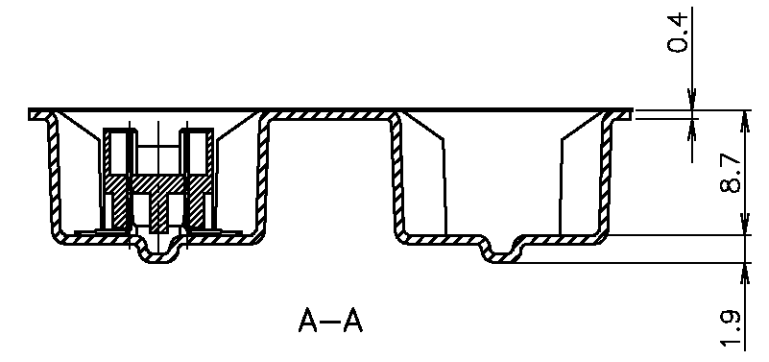
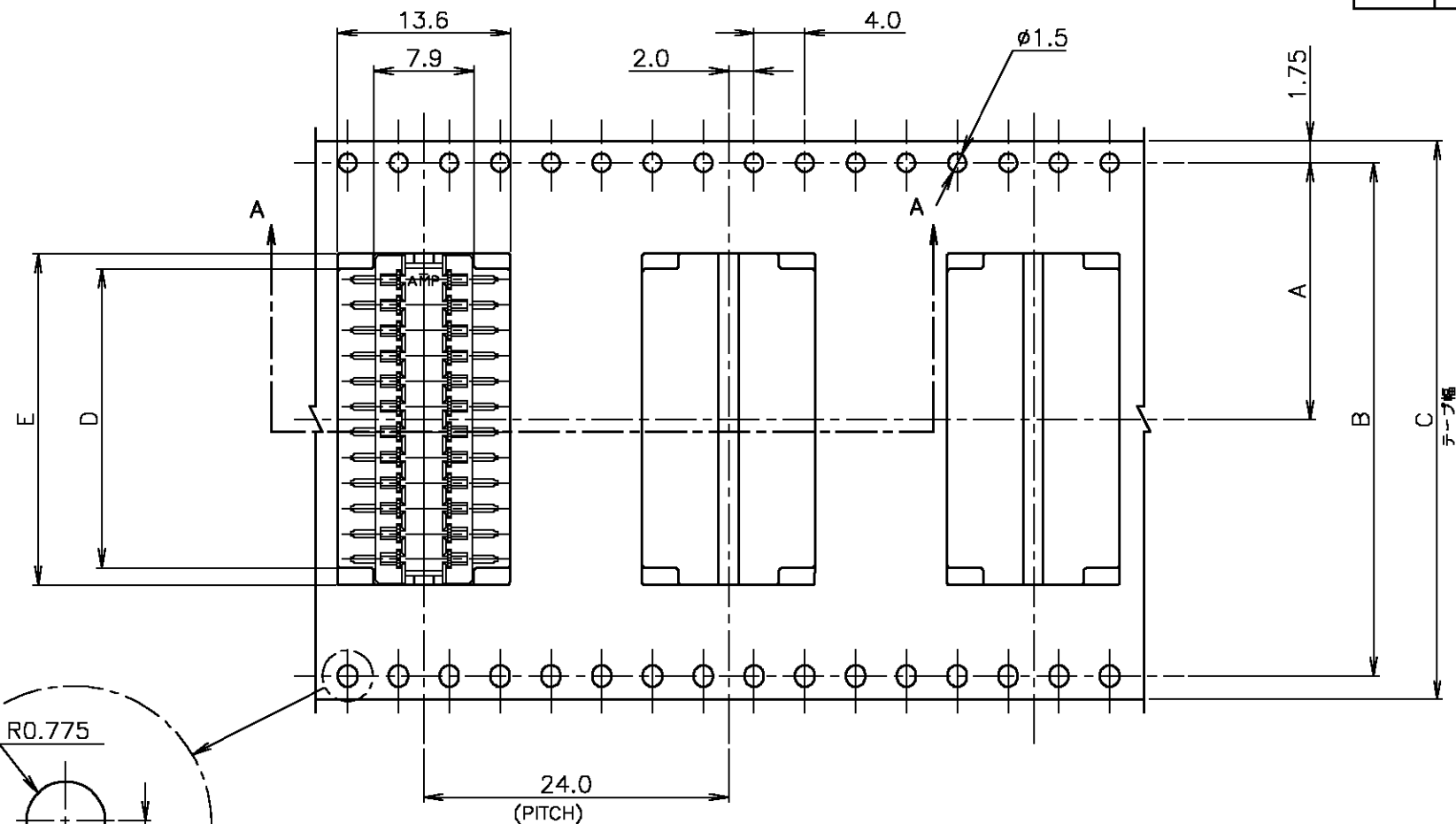


THIS DRAWING IS UNPUBLISHED. RELEASED FOR PUBLICATION
 © COPYRIGHT BY TYCO ELECTRONICS CORPORATION. ALL RIGHTS RESERVED.

LOC	DIST	REVISIONS			
P	LTR	DESCRIPTION	DATE	DWN	APVD
J					
B		REVISED FJBO-0346-03	28APR03	T.K	Y.Y



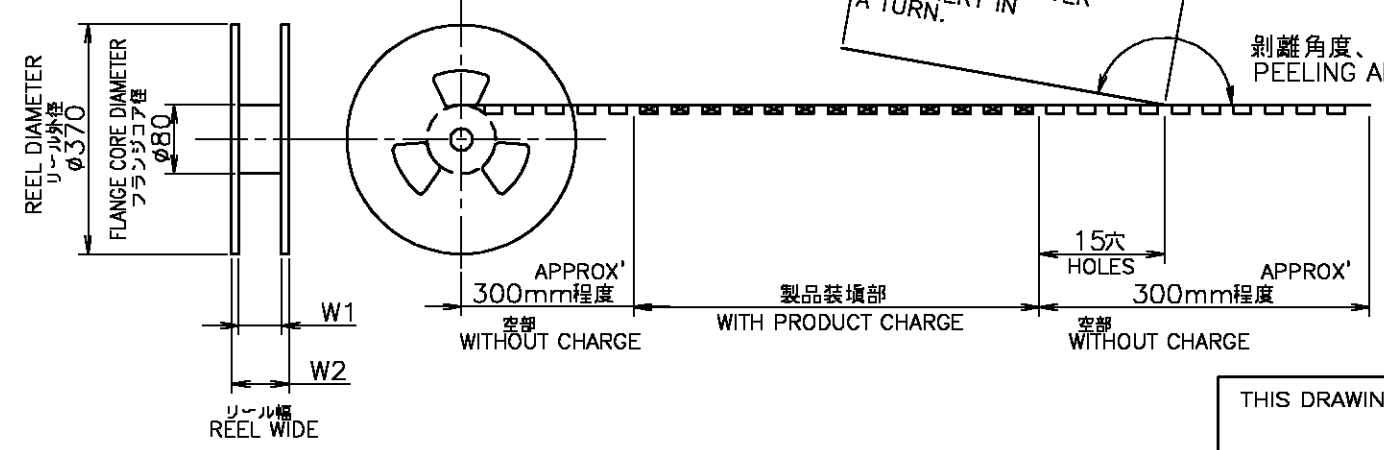
引出し方向
TOP OF REEL →

注記
 △ 指示穴は30極品のみ適用
 2. リセコンタクト仕上げ:ニッケル下地 錫めっき

NOTES
 △ THESE HOLES ARE APPLIED TO 30 Pos. ONLY.
 2. REC CONTACT FINISH :
 TIN PLATING, Ni UNDER PL. ALL OVER

カバーテープ
リーダー部
外周一巻
WEEDING THE COVER TAPE
AROUND THE OUTER
PERIPHERY IN
A TURN.

剥離角度、165° ~ 180°
PEELING ANGLE.



49.5	45.5	32.1	29.6	44	40.4	20.2	300	30	3-1123236-0	3-1123240-0
W2	W1	E	D	C	B	A	数量 (ヶ) QTY/REEL	極数 Pos.	コネクタ型番 (バラ状) CONNECTOR P/N (L/P)	リール巻 コネクタ型番 TAPING P/N

THIS DRAWING IS A CONTROLLED DOCUMENT.		DWN	M.IWASAKI	28AUG97	tyco Electronics	Tyco Electronics AMP K.K.			
		CHK	S.KAJINUMA	28OCT97		Kawasaki, Japan			
DIMENSIONS: MM		APVD	S.KUBOUCHI	07NOV97	NAME		2.0 A-F CONN. REC ASSEMBLY ON TAPING		
TOLERANCES UNLESS OTHERWISE SPECIFIED: 0-PLC ± 1-PLC ± 2-PLC ± 3-PLC ± 4-PLC ± ANGLES ±		PRODUCT SPEC		APPLICATION SPEC		RESTRICTED TO			
MATERIAL		FINISH		WEIGHT		SIZE	CAGE CODE	DRAWING NO	REV
						A3	00779	1123240	B
				CUSTOMER DRAWING		SCALE		SHEET	1 OF 1
						NTS			