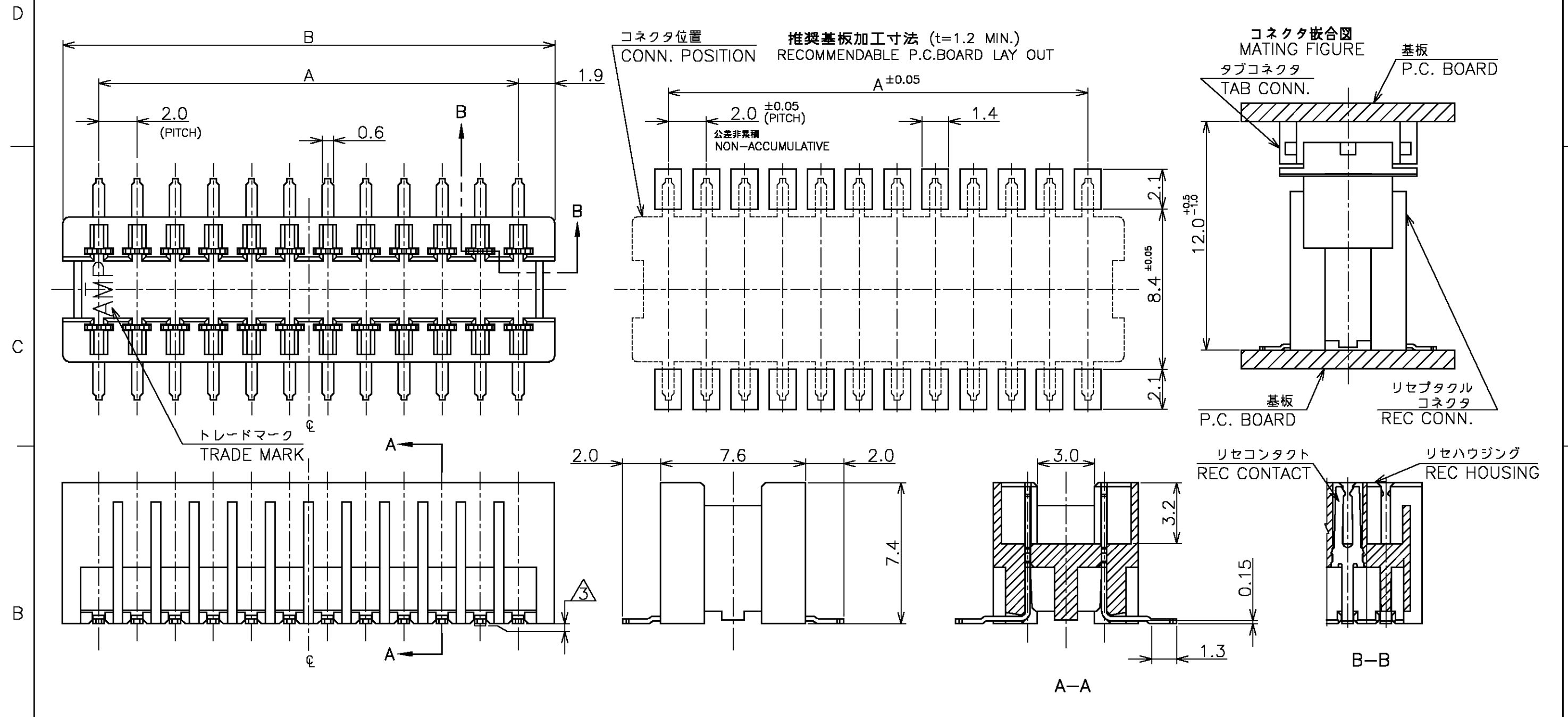


LOC	DIST	REVISIONS					
J		P	LTR	DESCRIPTION	DATE	DWN	APVD
		C		REVISED	FJB0-0346-03	28APR03	T.K Y.Y



- 1 嵌合相手型番: 179867
 2 材料:
 リセハウジング : 6T NYLON,GF30%
 リセコンタクト: 銅合金 (t=0.25mm),ニッケル下地, 銅めっき
 ③ 全てのタイン部のバラツキは 0.15mm MAX.
- 1 MATING COUNTER PART NUMBER: 179867
 2 MATERIAL:
 HOUSING : 6T NYLON,GF30%
 REC CONTACT: COPPER-ALLOY (t=0.25mm)
 TIN PLATING, Ni UNDER PL. ALL OVER
 ③ MISALIGNMENT BETWEEN TINES : 0.15mm MAX.

31.8	28.0	30	3-1123236-0
B	A	極数 Pos.	型番 PART NO.

THIS DRAWING IS A CONTROLLED DOCUMENT.

DIMENSIONS: 単位: 概 MM	TOLERANCES UNLESS OTHERWISE SPECIFIED: 一般公差	DWN M.IWASAKI 28AUG97		Tyco Electronics AMP K.K. Kawasaki, Japan
		CHK S.KAJINUMA 28AUG97		NAME 名称
		APVD S.KUBOUCHI 06NOV97	PRODUCT SPEC 製品規格	2.0 A-F CONN. REC ASSEMBLY
			APPLICATION SPEC 取付適用規格	
MATERIAL 材料	FINISH 仕上	WEIGHT	SIZE A3	CAGE CODE 00779
		CUSTOMER DRAWING	DRAWING NO 番号 1123236	RESTRICTED TO —
			SCALE 尺度 NTS	SHEET 1 OF 1
				REV C